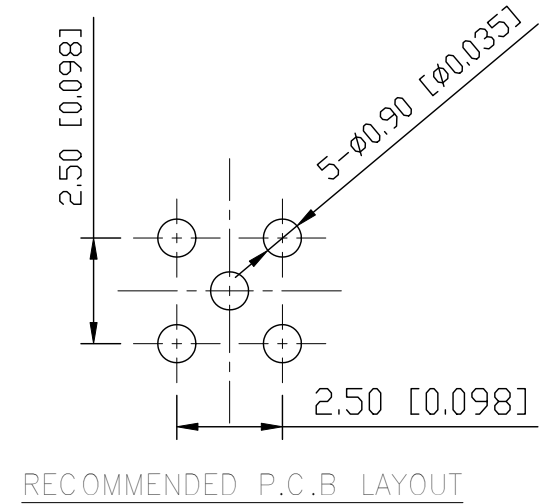
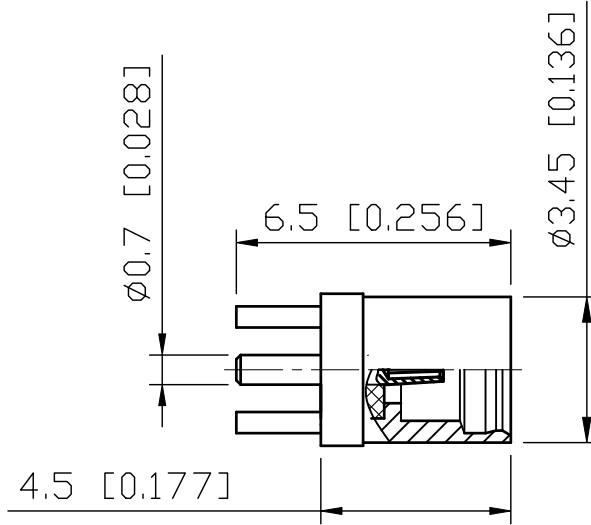
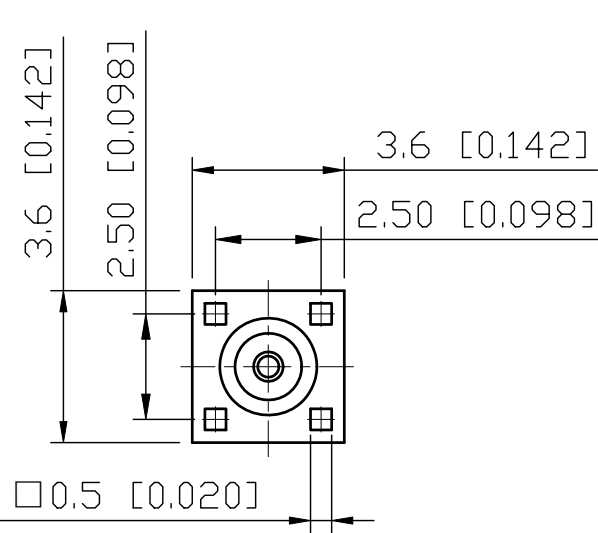


ROHS

Specifications(规格):

- 1.Impedance(特性阻抗) : 50Ω (NOM) ;
- 2.Frequency(使用频率) : DC~6GHz;
- 3.VSWR: 1.25:1;
- 4.Voltage rating(额定电压): 500V AC/DC;
- 5.Dielectric withstanding voltage(耐压值):750V AC;
- 6.Insulation resistance(绝缘电阻):1000MΩ Min.;
- 7.Temperature range(温度范围):-40℃~+125℃;
- 8.Durability(寿命):500 Cycles;

REVISIONS					
REV.	ECN NO.	LOCATION	DESCRIPTION	DATE	DESIGN
A0	N/A		INITIAL RELEASE	2025.03.05	



ANGLAR	±5°
X.	±0.50
X.x	±0.30
X.x(φ)	±0.10
X.xx	±0.10
X.xx(φ)	±0.05
X.xxx	±0.05
UNSPECIFIED TOLERANCES	

3	Center Conductor	Phosphor bronze	Gold PLATED	
2	Dielectric	PTFE		
1	Outer Conductor	Brass	Gold PLATED	
NO.	NAME	MATERIAL	FINISH (Contact)	Note
		www.helloxkb.com	www.helloxkb.cn	www.xk-dg.cn



DESIGN	希文	VIEW:	
CHECKED		UNIT:	mm/in
APPROVED		SIZE:	A4

MODEL TYPE:	MMCX-KHD006		
PART NO.:	XMXW-5FSE-PB06		
DWG NO.:	X-XMXW-5FSE-PB06		

XKB INDUSTRIAL PRECISION CO.,LIMITED

SCALE	PAGE	REVISION
N/A	1/1	A0