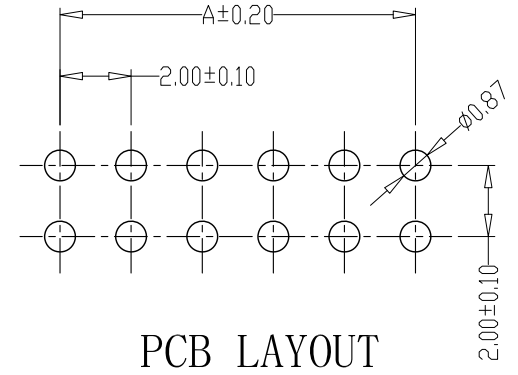
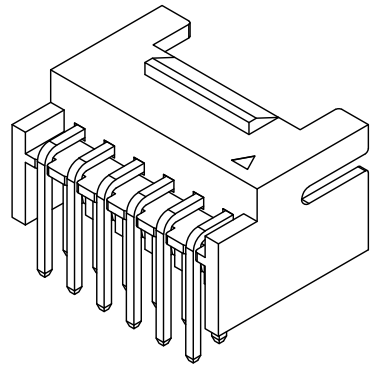
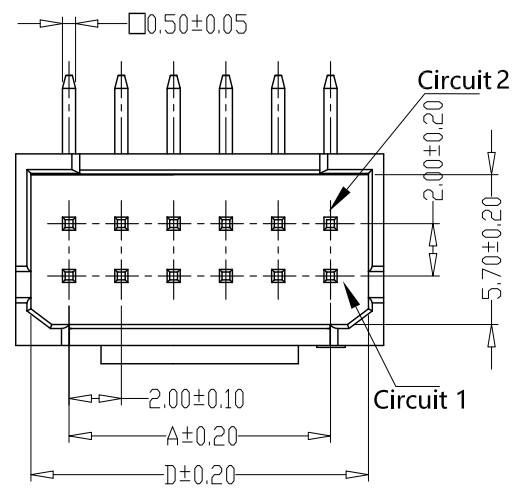
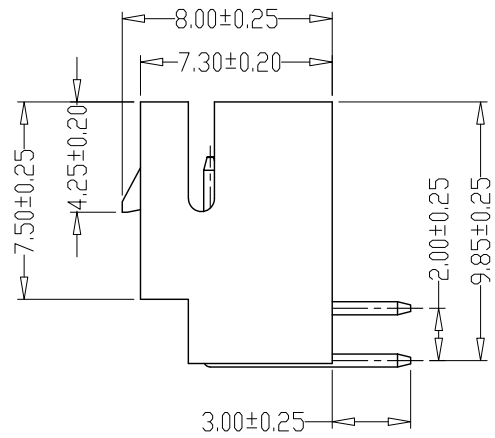
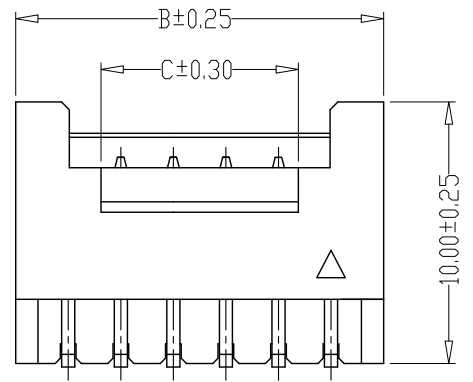


版本 REV.	日期 DATE	ECN NO.	变更内容 DESCRIPTION	制图 DRAWN



### PCB LAYOUT



PIN	尺寸 (mm)			
	A	B	C	D
-2*02AW	2.00	6.00	3.00	4.90
-2*03AW	4.00	8.00	3.00	6.90
-2*04AW	6.00	10.00	3.00	8.90
-2*05AW	8.00	12.00	5.00	10.90
-2*06AW	10.00	14.00	7.00	12.90
-2*07AW	12.00	16.00	9.00	14.90
-2*08AW	14.00	18.00	11.00	16.90
-2*09AW	16.00	20.00	13.00	18.90
-2*10AW	18.00	22.00	15.00	20.90
-2*11AW	20.00	24.00	17.00	22.90
-2*12AW	22.00	26.00	19.00	24.90
-2*13AW	24.00	28.00	21.00	26.90
-2*14AW	26.00	30.00	23.00	28.90
-2*15AW	28.00	32.00	25.00	30.90
-2*16AW	30.00	34.00	27.00	32.90
-2*17AW	32.00	36.00	29.00	34.90
-2*18AW	34.00	38.00	31.00	36.90
-2*19AW	36.00	40.00	33.00	38.90
2*20AW	38.00	42.00	35.00	40.90

### SPECIFICATIONS

- Current Rating: 3A AC, DC
- Voltage Rating: 250V AC, DC
- Temperatuer Range: -25°C~+85°C
- Contact Resistance: 20mΩ Max
- Insulation Resistance: 1000MΩ Min
- Withstanding Voltang: 800V AC/minute
- Material:Wafer PA66, UL94V-0  
PIN Brass Tin-plated

GENERAL TOLERANCE		制图 Mapping	H Y		料号 PART NO.	FG-PHB-2XNAW	版本 REV.	A
X.±0.25	X.°±2°	审核 Audit	L P J		品名 TITLE	PHB弯针 WAFER SMT TYPE	页次 SHEET	1/1
.XX±0.25	.X°±1°		L Z W		客户料号 CUTM. NO.			
.XX±0.15	.XX°±0.5°	核准 Approved	L Z W		深圳市富港科技有限公司			
.XXX±0.10	.XXX°±0.5°	单位 Units	MM	比例 SCALE				