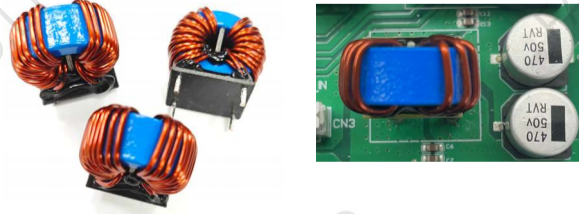


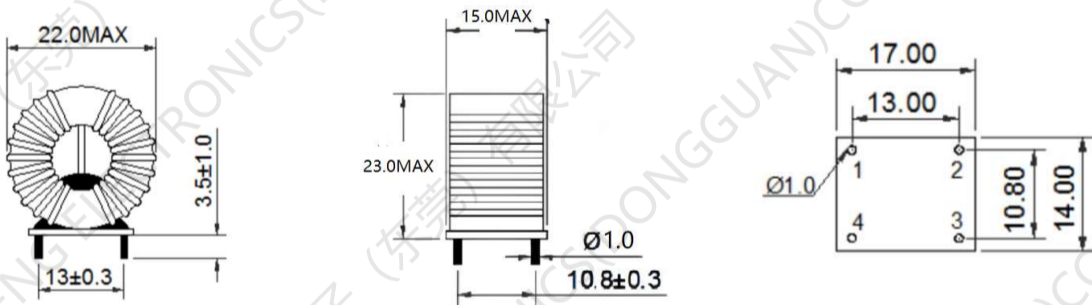
Common Mode Power line Choke FC-HLF2018-15mH-10A-LF

Features:

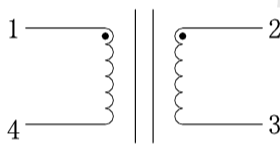
1. High current common mode choke
2. Broadband suppression for common mode noise
3. Custom designs on request
4. Inductance range: 15.0mH
5. Insulation Test Voltage: 1500VAC
6. turns Ratio: 1:1
7. Rated Current: 10A
8. Operating temperature: -40 °C to +125 °C



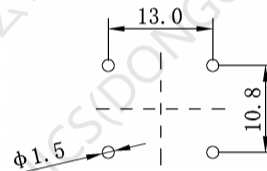
1. Dimensions:mm



2. Schematic:



3. Recommended Land Pattern: mm

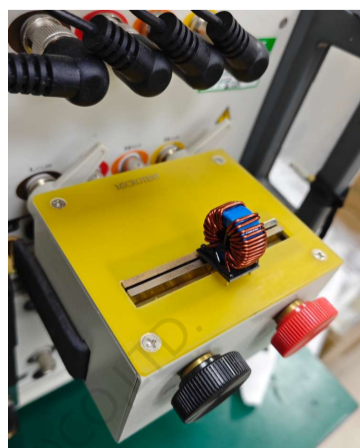
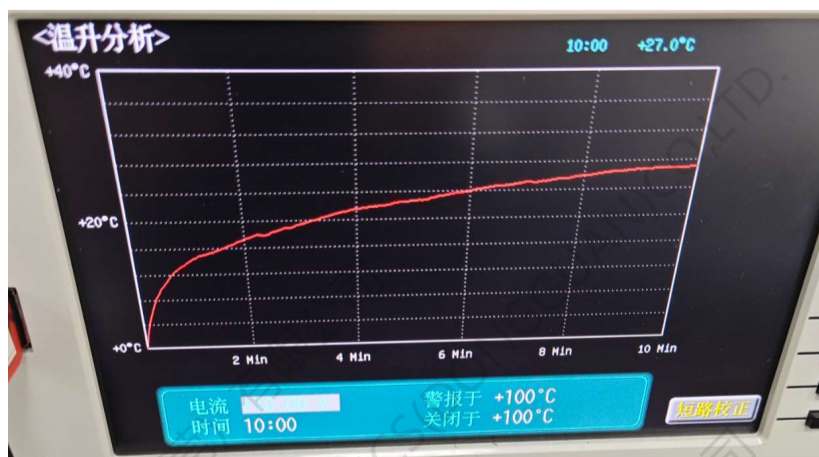


4. Electrical Properties

NO.	ITEMS	MEASURING POINT	TECHNICAL DATA	TEST CONDITION	INSTRUMENT
1	Inductance	N1=N2	(10min) >15.0mH	1.0KHz, 0.3V, 25°C	HP4284A
2	IR	COIL~CORE	100Mohm MIN	DC500V	MF2511
3	turns Ratio	N1:N2	1:1	20KHz, 1V, 25°C	TH3250
4	DCR	N1=N2	9.5mΩ TYP~15.0mΩ MAX	25°C	CH502
5	Insulation Test Voltage	COIL~COIL	1500V/AC	50Hz 3mA 5S	CJ2670
		COIL~CORE	500V/AC	50Hz 3mA 5S	CJ2670
6	Rated Current	N1/N2	10A/min	ΔT≦40°C (Ta=25°C)	6240

Ambient temperature : -40°C to +85°C; Operating temperature: -40°C to +125°C

5. Temperature rise VS Current:



6. Application Fig:

