

Product Features

- Wide voltage input (85-264VAC, 100-370VDC)
- Dimensions: 52.5×90×54.5mm
- No-load power consumption < 0.75W
- Protection types: Short circuit / Overload / Overvoltage
- operating temperature range: -40°C to +70°C
- Isolation voltage: 3kV
- 100% high-temperature aging and testing
- 3-year quality guarantee



Reference Standards

EMC and safety specifications comply with IEC/EN 61000-4, CISPR 32/EN 55032, UL 2368/EN 62368/IEC 62368 and other relevant standards.

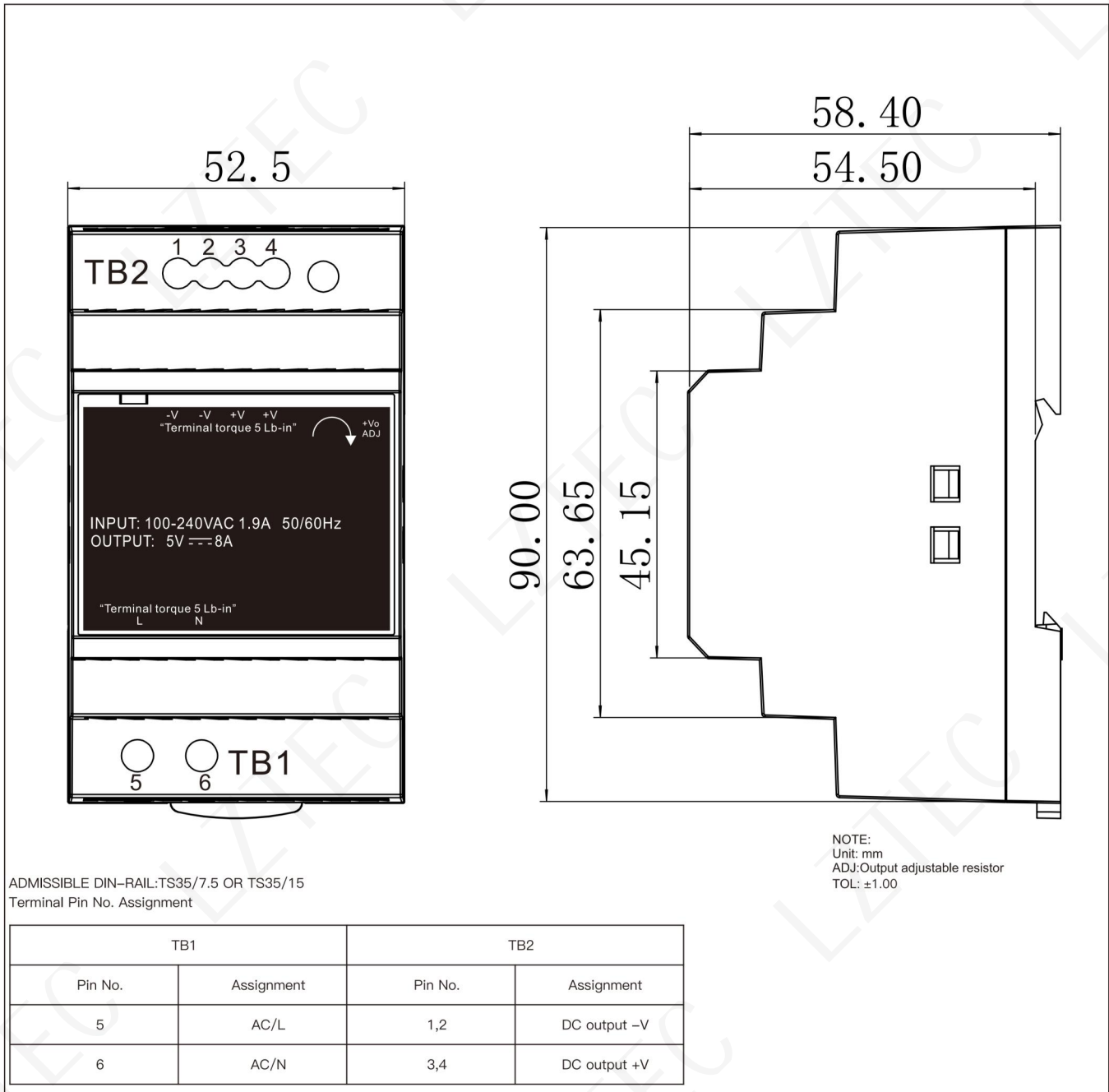
Product Description

MODEL	CSR-60-5	CSR-60-12	CSR-60-24	CSR-60-48
INPUT	90-264VAC/100-370VDC			
Rated Power (W)	32.5	54	60	60
Output Voltage (V)	5	12	24	48
Adjustable Voltage Range (V)	4.75-5.25	11.3-12.6	22.5-25.6	44.8-53.4
Rated Current (A)	6.5	4.5	2.5	1.25
Ripple and Noise (mVp-p)	100	120	120	240
Efficiency (%)	78	88	89	90

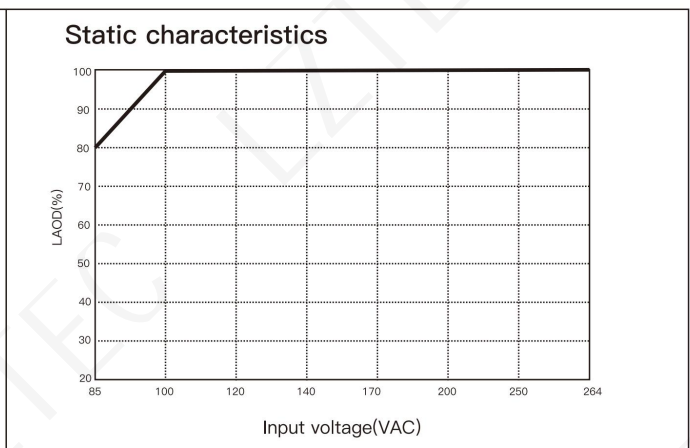
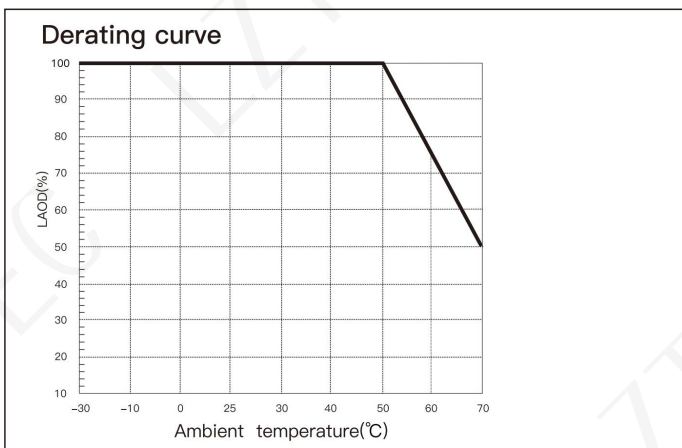
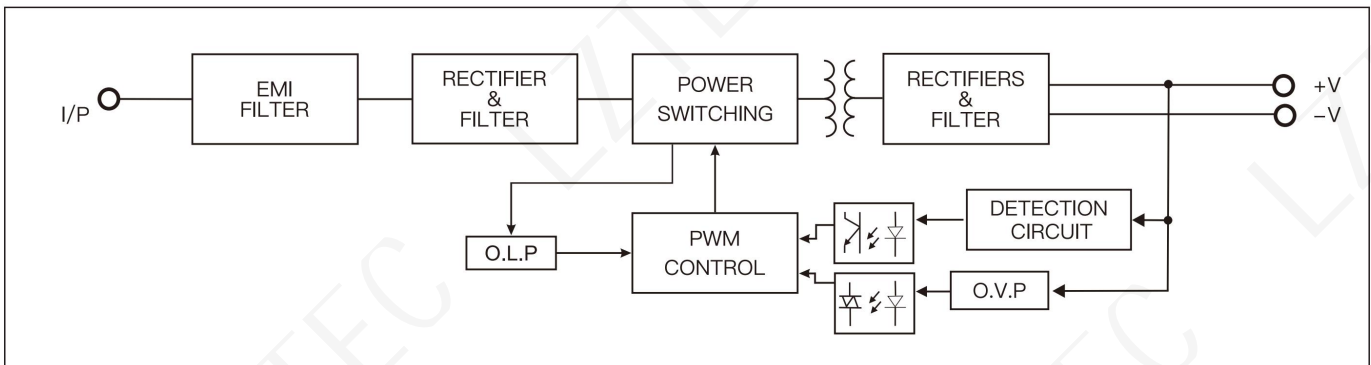
60W RAIL-MOUNTED AC-DC POWER MODULE

OUTPUT	Set up, Rise time(Typ)	1200ms,30ms/230VAC, 3000mS, 50mS/115VAC (full load)			
	Hold up time	50ms/230VAC, 15ms/115VAC(full load)			
	Line Regulation	±1%			
	Load Regulation	±1%			
	Voltage tolerance	±2.0%			
ENVIRONMENT	Working Temp&Humidity	-40~+70°C(pls refer to derating curve) ,85%RH max			
	Storage Temp&Humidity	-40~+85°C 10%~95%RH, non-condensing			
	Temperature Coefficient	0.03%/(0°C-50°C)			
	Vibration	Component:10~500Hz, 2G 10min./1cycle, 60min. Six cycles along X,Y,Z axs;			
EMC	EMC Emission	Compliance to EN55032(CISPR32), EN55011			
	ESD	Compliance to EN61000-4 level 2 Contact ±4kV/level 3 Air ±8kV			
	Radiated	IEC/EN 61000-4-3			
	EFT/Burst	IEC/EN 61000-4-4 level 4 2kV			
	Surge	IEC/EN61000-4-5 Level 4 2KV			
SAFETY	Safety standards	Compliance to UL1012			
	Withstand voltage	I/P-O/P:3.0KVAC(min)			
	Isolation Resistance	I/P-O/P:100M ohms/500VDC 25°C 70%RH			
PROTECTION	Overvoltage	≤7.2VDC	≤16.2VDC	≤36VDC	≤64.8VDC
		Shut-down output voltage, Re-power on to recover			
	Overload	≥110% Auto-recovery after fault condition is removed			
	Short Circuit	Hiccup mode, Auto-recovery after fault condition is removed			
OTHERS	SIZE	52.5*90*54.5mm(W*H*D)			
	MTBF	200K hrs min. MIL-HDBK-217F(25°C)			
NOTE	<ol style="list-style-type: none"> All parameters NOT Specially mentioned are measured at 230VAC input, rated load and 25°C ambient temperature, humidity<75% Ripple & Noise are measured at 20MHz of bandwidth by using a 12" twisted pair-wire terminated with a 0.1uf & 47uf parallel capacitor. The power supply is considered as an independent unit, but the final equipment still need to re-confirm at that the whole system complies with the EMC directives. EMC tested after 10 minutes working 				

Mechanical Specification



BLOCK DIAGRAM



Product Installation and Operation Instructions

Install the product in accordance with the installation instructions.

Before power-on commissioning upon completion of installation, check and verify the wiring on each terminal to ensure the correctness of input and output, AC and DC, positive and negative poles, voltage and current values, etc. Prevent reverse or incorrect wiring to avoid damage to the power supply and user equipment.

Prior to power-on, use a multimeter to check for short circuits between the live wire, neutral wire and ground wire, as well as short circuits at the output terminal; no-load start-up is recommended during power-on.

Do not exceed the rated parameters of the power supply during operation to avoid compromising product reliability.

For operational safety and interference reduction, ensure the ground terminal is reliably grounded (ground wire ≥ AWG18#).

Zhuhai Lizhi Technology Co., Ltd
 E-Mail: sales@lyztec.com
 E-Mail: zena.liu@lyztec.com

WEB:WWW.LYZTEC.COM