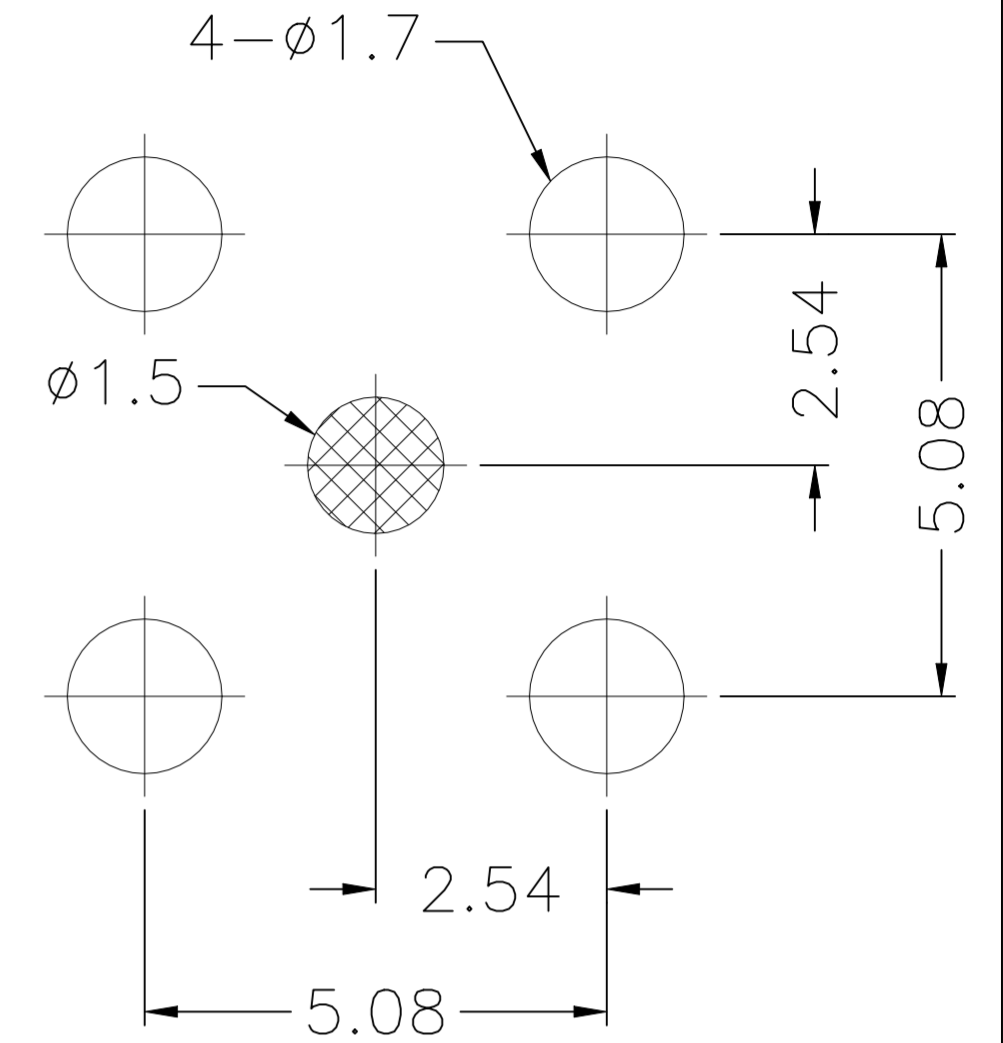
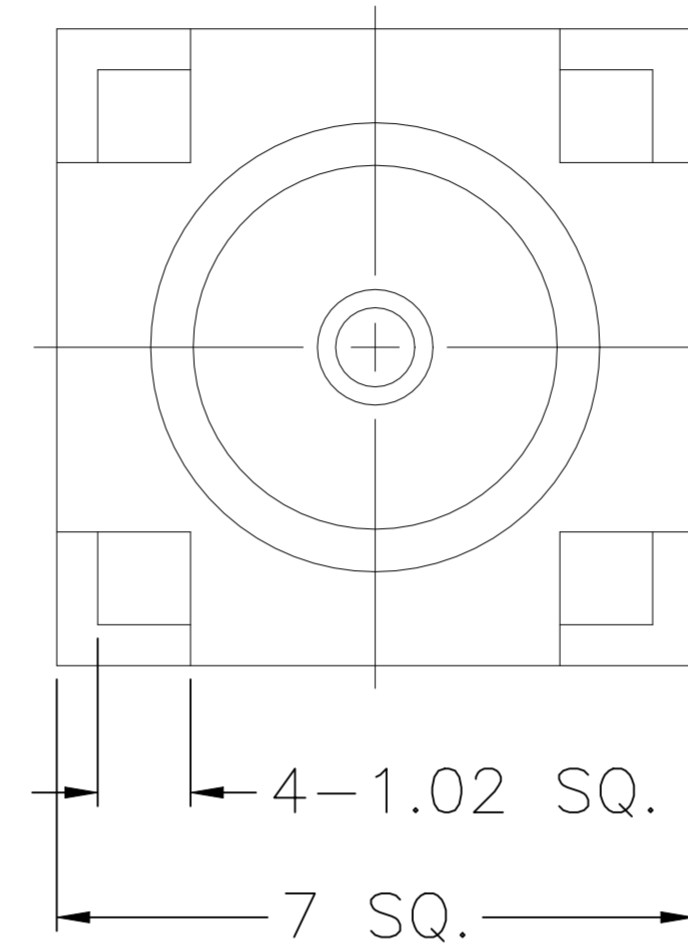
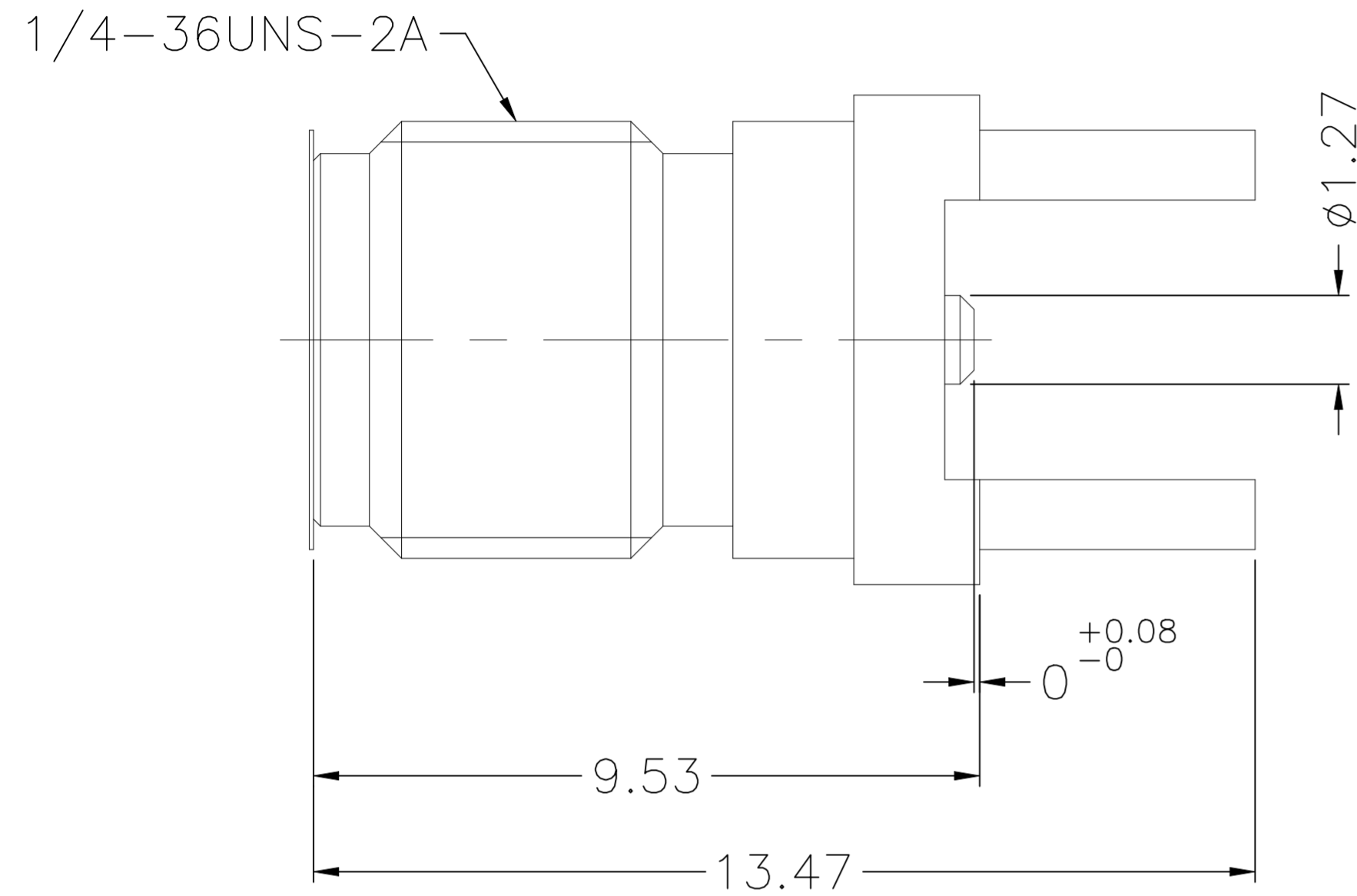
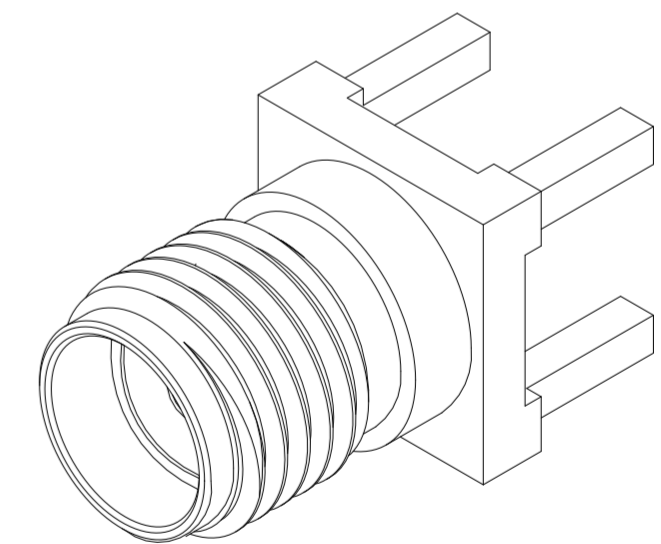


REVISIONS					
P	LTR	DESCRIPTION	DATE	DWN	APVD
A		ECN-24-274897 : GTP	11JUL2024	SS	WH



PCB MOUNTING HOLE



SPECIFICATIONS:

1. IMPEDANCE: 50Ω
2. FREQUENCY: DC to 18GHz
3. VSWR/RL: 1.2 max./ 20.8 dB min.
4. CONTACT RESISTANCE:
CENTER: 3 milliohms max.
OUTER: 2 milliohms max.
5. TEMPERATURE RANGE: -65°C TO +165°C
6. DURABILITY: 500 cycles min.
7. ENGAGEMENT AND DISENGAGEMENT FORCE:
ENGAGEMENT: 2 in-lbs max.
DISENGAGEMENT: 2 in-lbs max.
8. ROHS & REACH COMPLIANT
9. PACKAGING QUANTITY:
300 PCS/BOX
1200 PCS/CARTON

NOTES: FINISH (PLATING THICKNESS IN MICRO-INCHES)

1. BRASS
2. GOLD PL. 3 MIN. THICK OVER NICKEL PL. 50 MIN. THICK OVER COPPER PL. 50 MIN. THICK
3. BERYLLIUM COPPER
4. GOLD PL. 30 MIN. THICK OVER NICKEL PL. 50 MIN. THICK OVER COPPER PL. 50 MIN. THICK
5. PTFE

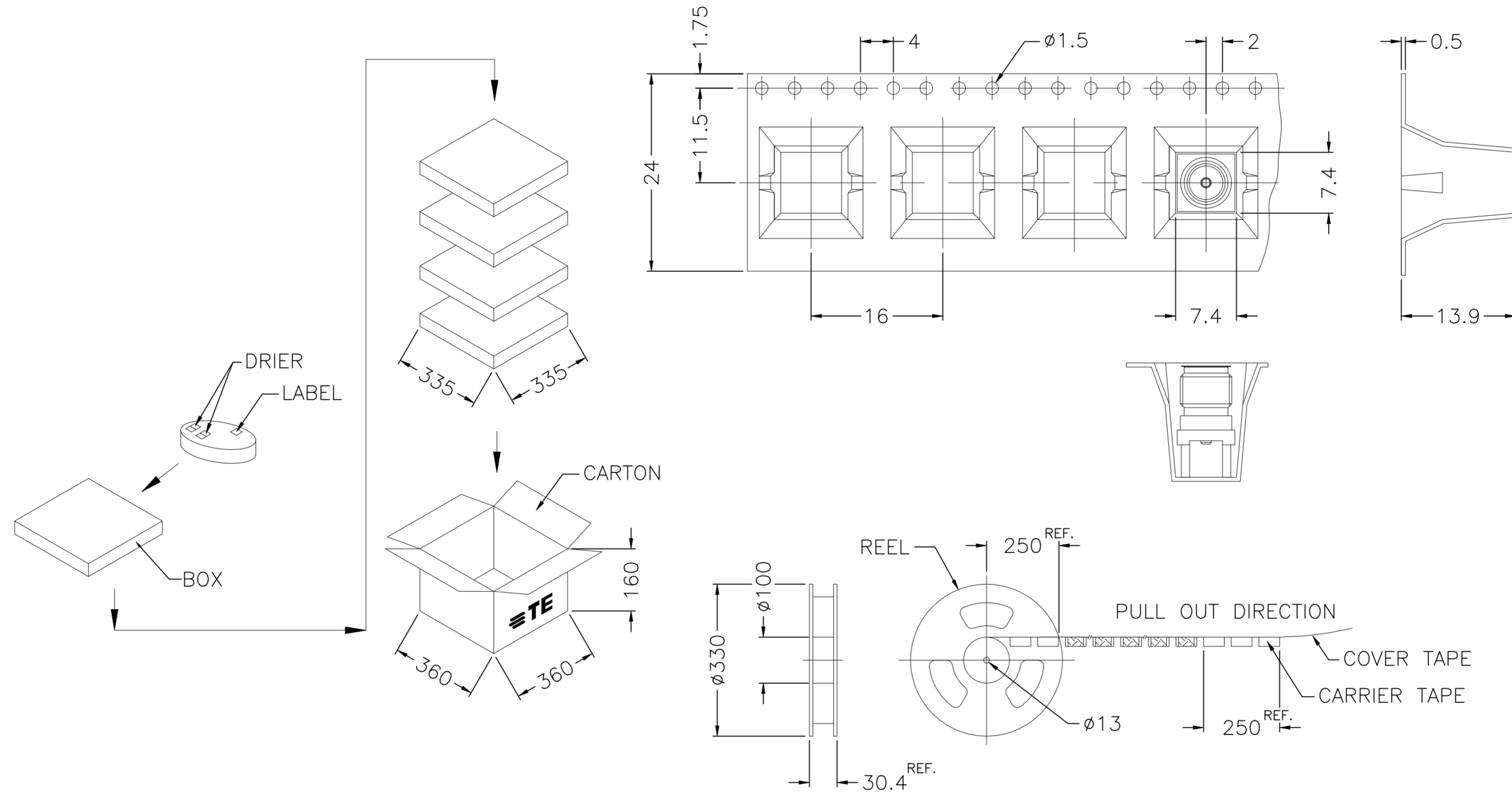
UNLESS OTHERWISE SPECIFIED TOLERANCES

- 0.5-6 = ±0.2
- 6-30 = ±0.4
- 30-120 = ±0.6
- 120-315 = ±1
- 315-1000 = ±1.6
- 1000-2000 = ±2.4

1	-	-	MYLAR	4
1	NOTE 4	NOTE 3	CONTACT PIN	3
1	NATURAL	NOTE 5	INSULATOR	2
1	NOTE 2	NOTE 1	BODY	1
2484780-1	FINISH	MATERIAL	DESCRIPTION	ITEM

THIS DRAWING IS A CONTROLLED DOCUMENT.		DWN	30APR2024	SIDDHARTH SINGH	
		CHK	30APR2024	SIDDHARTH SINGH	
		APVD	30APR2024	WENKE HE	
		PRODUCT SPEC	108-161323		
		APPLICATION SPEC	-		
		WEIGHT	0	SIZE	A2
		CUSTOMER DRAWING	CAGE CODE	00779	DRAWING NO
				C=2484780	RESTRICTED TO
			SCALE	1:1	SHEET
				1 of 2	REV
				A	

P	LTR	DESCRIPTION	DATE	DWN	APVD
-	-	SEE SHEET 1	-	-	-



- NOTE: 1. CARRIER TAPE : BLACK ANTI-STATIC POLYSTYRENE
 APPROXIMATE LENGTH (METER) : 5.3M
 2. COVER TAPE : TRANSPARENT ANTI-STATIC
 PG-608B (21.3m/m)
 3. BOX, CARTON : PAPER
 4. QUANTITY : 300 PCS/BOX
 1200 PCS/CARTON

THIS DRAWING IS A CONTROLLED DOCUMENT.		DWN SIDDHARTH SINGH 30APR2024																				
DIMENSIONS: mm		CHK SIDDHARTH SINGH 30APR2024																				
TOLERANCES UNLESS OTHERWISE SPECIFIED:		APVD WENKE HE 30APR2024	NAME SMA Jack Str SMD Pin Thru Hole 18 GHz																			
<table border="1"> <tr><td>0 PLC</td><td>±</td><td>-</td></tr> <tr><td>1 PLC</td><td>±</td><td>-</td></tr> <tr><td>2 PLC</td><td>±</td><td>-</td></tr> <tr><td>3 PLC</td><td>±</td><td>-</td></tr> <tr><td>4 PLC</td><td>±</td><td>-</td></tr> <tr><td>ANGLES</td><td>±</td><td>-</td></tr> </table>		0 PLC	±	-	1 PLC	±	-	2 PLC	±	-	3 PLC	±	-	4 PLC	±	-	ANGLES	±	-	PRODUCT SPEC 108-161323	RESTRICTED TO	
0 PLC	±	-																				
1 PLC	±	-																				
2 PLC	±	-																				
3 PLC	±	-																				
4 PLC	±	-																				
ANGLES	±	-																				
MATERIAL		FINISH	WEIGHT	SCALE																		
-		-	-	1:1																		
		CUSTOMER DRAWING	SIZE A2	SHEET 2 of 2																		
			CAGE CODE 00779	REV A																		
			DRAWING NO C-2484780																			