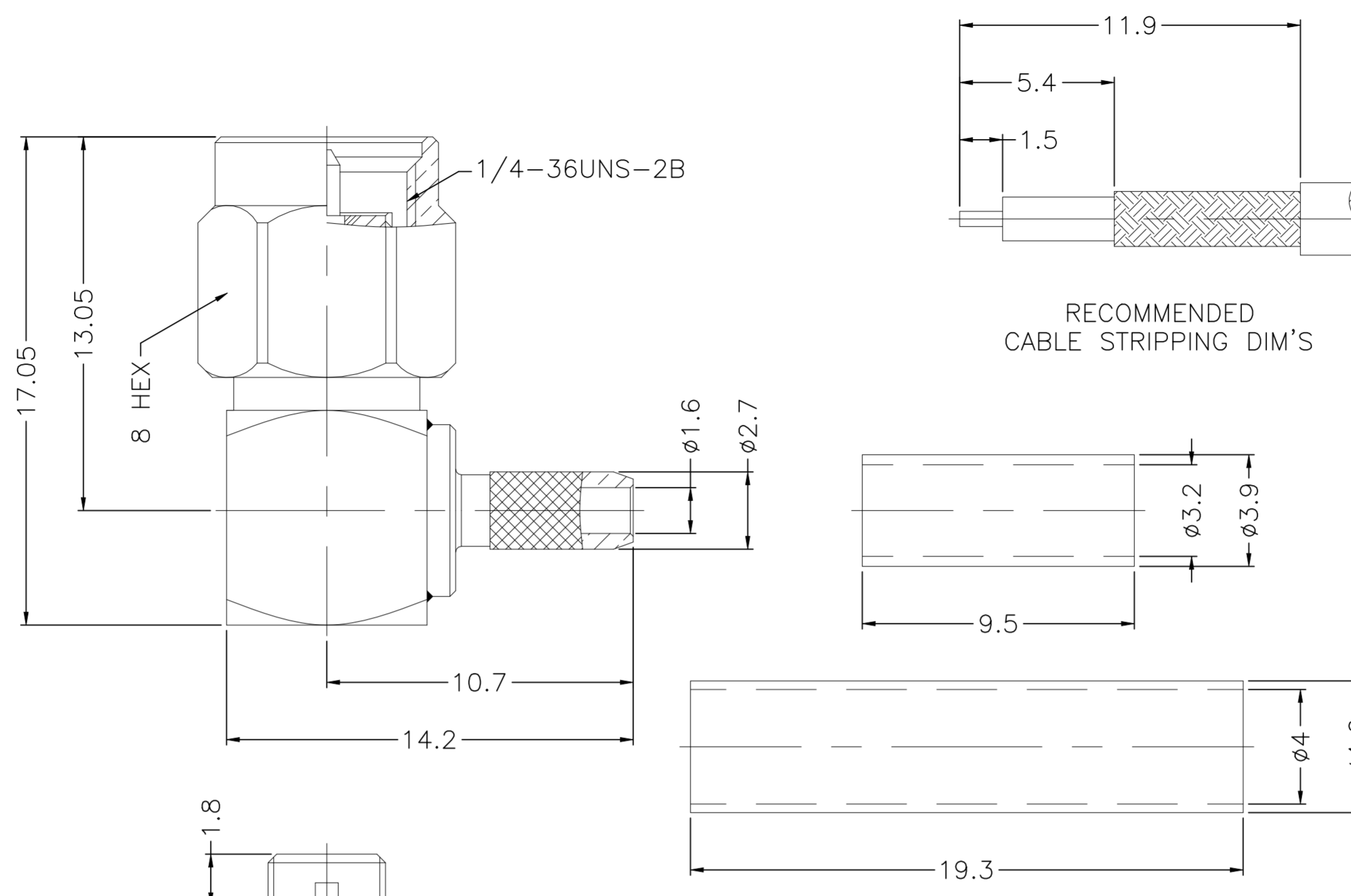
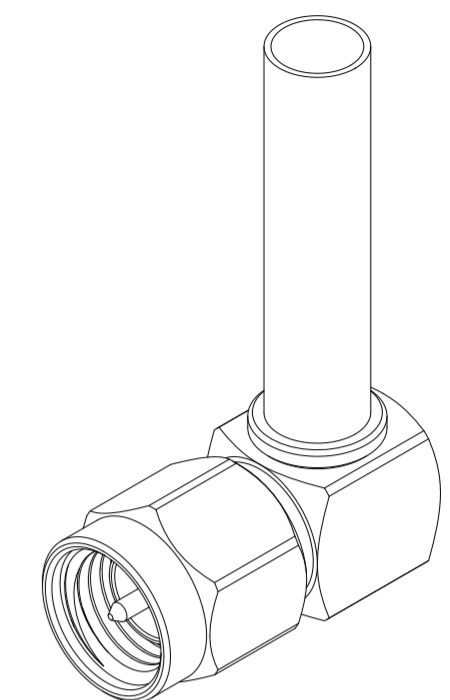


REVISIONS					
P	LTR	DESCRIPTION	DATE	DWN	APVD
A		ECN-24-274897 : GTP	11JUL2024	SS	WH



RECOMMENDED  
CABLE STRIPPING DIM'S



1. CRIMPED FERRULE  
HEX CRIMP SIZE .128"
2. CONTACT PIN TO SOLDER

NOTES: FINISH (PLATING THICKNESS IN MICRO-INCHES)

1. BRASS
2. GOLD PL. 3 MIN. THICK OVER NICKEL PL. 50 MIN. THICK OVER COPPER PL. 50 MIN. THICK
3. PTFE
4. GOLD PL. 30 MIN. THICK OVER NICKEL PL. 50 MIN. THICK OVER COPPER PL. 50 MIN. THICK
5. SILICONE RUBBER
6. PASSIVATED

SPECIFICATIONS:

1. IMPEDANCE: 50 ohms
2. FREQUENCY: DC to 3 GHz
3. VSWR/RL: 1.2 max./ 20.83 dB min.
4. INSERTION LOSS: 0.7 dB max.
5. DIELECTRIC WITHSTANDING VOLTAGE: 750 VRMS
6. CONTACT RESISTANCE:  
CENTER: 3 milliohms max.  
OUTER: 2.5 milliohms max.
7. INSULATION RESISTANCE: 5000 MΩ
8. ENGAGEMENT AND DISENGAGEMENT FORCE:  
ENGAGEMENT: 2 in-lbs. max.  
DISENGAGEMENT: 2 in-lbs. max.
9. COUPLING NUT RETENTION: 60 lbs. min.
10. COUPLING PROOF TORQUE: 15 in-lbs. min.
11. CONTACT RETENTION: 6 lbs. min.
12. INSULATOR RETENTION: 6 lbs. min.
13. CABLE RETENTION FORCE(Cable assembly): 10 lbs. min.
14. TEMPERATURE RANGE: -65°C TO +165°C
15. ROHS & REACH COMPLIANT

UNLESS OTHERWISE SPECIFIED  
TOLERANCES

- 0.5-6 = ±0.2
- 6-30 = ±0.4
- 30-120 = ±0.6
- 120-315 = ±1
- 315-1000 = ±1.6
- 1000-2000 = ±2.4

1	BLACK	-	HEAT SHRINK TUBE	9
1	NOTE 2	NOTE 1	FERRULE	8
1	NOTE 2	NOTE 1	COVER	7
1	NOTE 2	NOTE 1	SHELL	6
1	NOTE 6	SUS 304	RETAINER RING	5
1	RED	NOTE 5	GASKET	4
1	NOTE 4	NOTE 1	CONTACT PIN	3
1	NATURAL	NOTE 3	INSULATOR	2
1	NOTE 2	NOTE 1	HOUSING WITH BARREL	1
2484791-1	FINSIH	MATERIAL	DESCRIPTION	ITEM

THIS DRAWING IS A CONTROLLED DOCUMENT.		DWN SIDDHARTH SINGH 01APR2024	TE Connectivity	
DIMENSIONS: mm		CHK ERIC DAI 01APR2024	NAME SMA PLUG RA CRIM RG174 188A 316 3 GHz	
TOLERANCES UNLESS OTHERWISE SPECIFIED: 0 PLC ± - 1 PLC ± - 2 PLC ± - 3 PLC ± - 4 PLC ± - ANGLES ± 5		APVD WENKE HE 01APR2024	PRODUCT SPEC 108-161323	
MATERIAL		FINISH	APPLICATION SPEC	RESTRICTED TO
-		-	WEIGHT -	SCALE 1:1
-		-	CAGE CODE A2 00779	SHEET 1 of 1
-		-	DRAWING NO C=2484791	REV A
-		-	CUSTOMER DRAWING	