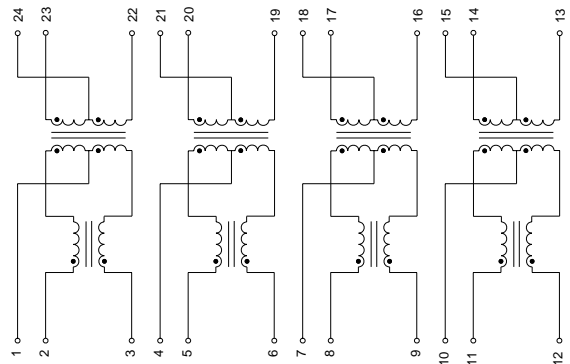
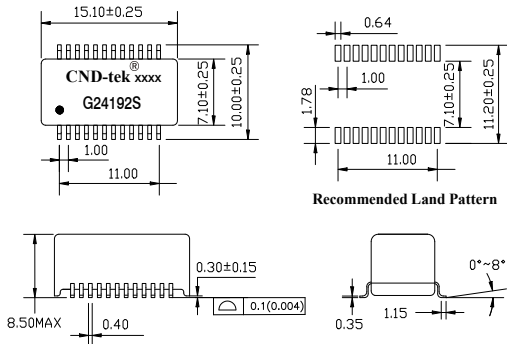


1. Designed for long haul Gigabit Ethernet 1000 Base-T, full duplex applications.
2. Supports four pairs of category 5 UTP cable.
3. Cable interface for isolation and low common mode emissions
4. Compliant with IEEE 802.3at standard for 1000 Base-T
5. Suitable For End-span and Mid-span POE+ Applications 720mA Current Capacity Per POE Port
6. Operating Temperature range: -40°C TO +85°C
7. Storage temperature range: -40°C TO +125°C



## DIMENSIONS & SCHEMATICS

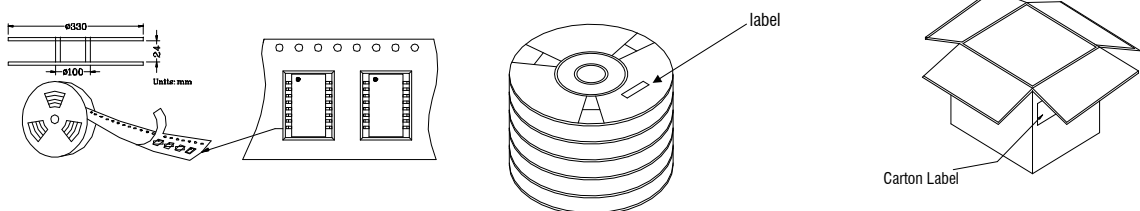


**Note:** 1. Dimension: mm, 2. Unless otherwise specified, tolerances are: ± 0.15mm

## TECHNICAL SPECIFICATIONS

OCL :	350 $\mu$ H Min. @ 100 KHz, 100mV with 8mA DC Bias
Leakage	0.5 $\mu$ H Max. @ 100KHz, 0.1V
Inductance: Cw/w:	28pF Max. @ 100KHz, 0.1V
DCR:	1.40 $\Omega$ Max.
Turns Ratio ( $\pm 5\%$ ):	1CT:1CT(TX), 1CT:1CT(RX)
Polarity:	2-23, 5-20, 8-17, 11-14 In-Phase
Insertion Loss:	-1.0 dB Max. @ 0.3-100MHz
Return Loss:	-18dB Min. @ 1-30MHz -14dB Min. @ 30-60 MHz -12dB Min. @ 60-80 MHz -10dB Min. @ 80-100 MHz -30 dB Min. @ 1-100 MHz
Cross Talk:	-30 dB Min. @ 1-100 MHz
Common Mode Rejection :	-30 dB Min. @ 1-100 MHz
Isolation HI-POT:	1500Vrms 2mA 60Second

## PACKING SPECIFICATION



1. units/reel:600PCS
2. reel/carton:5PCS
3. units/carton :3000PCS

EXPORT CARTON:367(L)x337(W)x235(H)