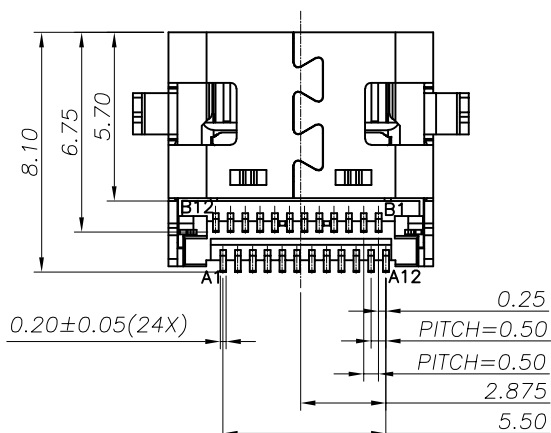
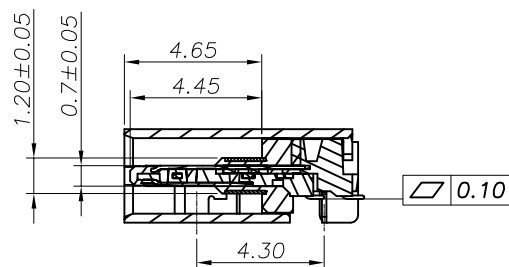
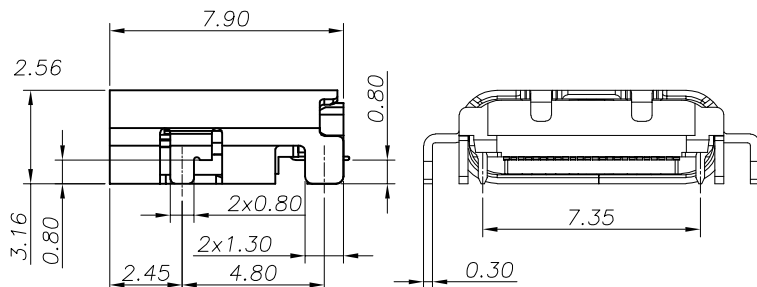
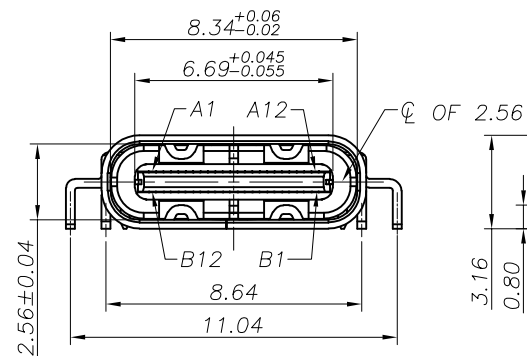
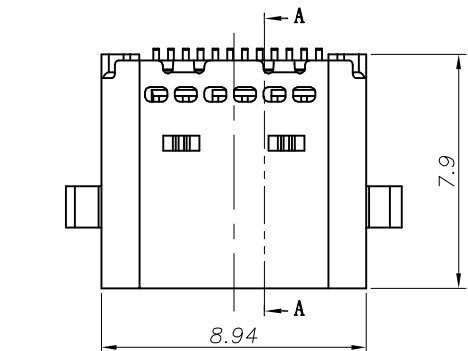
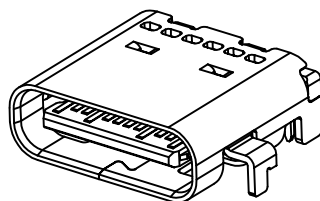


申明: 凡是没有产品料号或有“PRELIMINARY”标示的产品图均为临时图面暂不能生产
 DECLARATION: ALL PRODUCT DRAWINGS WITHOUT THE PART NUMBER OR WITH "PRELIMINARY" LABEL ARE TEMPORARY DRAWINGS CAN NOT BE PRODUCED

REV.	ECN NO.	DESCRIPTION	DATE	DESIGN
A	---	INITIAL RELEASED	2021.03.11	Neo.Liu

NOTE:

- 1.MATERIAL SPECIFICATION:
 - 1.HOUSING:HIGH TEMPERATURE RESISTANT PLASTIC,UL94 V-0.
 - 2.CONTACTS: COPPER ALLOY
 - 3.MID PLATE: STAINLESS STEEL
 - 4.FRONT SHELL: STAINLESS STEEL
 - 5.EMI PLATE: STAINLESS STEEL
- 2.PLATING SPECIFICATION:
 - 2-1.CONTACTS:
 - Ni 50u" MIN. UNDER PLATED OVER ALL.
 - Au PLATED ON THE FUNCTIONAL AREA OF CONTACT.
 - (GOLD PLATING THICKNESS FOLLOW THE P/N)
 - PLATING SPECIFICATIONS OF THE SOLDER AREA FOLLOW THE P/N
 - 2-2.FRONT SHELL:
 - Ni 30u" MIN. UNDER PLATED OVER ALL.
 - 2-3.MID PLATE:
 - Ni 30u" MIN. UNDER PLATED OVER ALL.
 - Sn 80u"MIN. PLATED OVER ALL
 - 2-4.EMI PLATE:
 - CLEAR ONLY
- 3.MECHANICAL PERFORMANCE,
 - 3-1.INSERTION FORCE: 0.5~2.0kgf.
 - 3-2.REMOVAL FORCE: 0.8kgf~2.0kgf.
 - 3-3.DURABILITY: 10000 CYCLES.
- 4.ELECTRICAL PERFORMANCE,
 - 4-1. CURRENT RATING:5.0A
VOLTAGE RATING:5.0V
 - 4-2. LLCR:
 - VBUS & GND PINS AND OTHER PINS: 40mΩ/PIN MAX.
 - LLCR MAX. CHANGE OF ALL PINS: 10mΩ.
 - 4-3.INSULATION RESISTANCE: 100MΩ MIN
 - 4-4.DIELECTRIC WITHSTAND VOLTAGE,AC 100V FOR 1 MINUTE.
5. ENVIRONMENTAL PERFORMANCE:
 - OPERATING TEMPERATURE: -25°C~+85°C.
- 6.IR REFLOW:
 - THE PEAK TEMPERATURE ON THE BOARD SHALL BE MAINTAINED FOR 10 SECONDS AT 260°C.



TOLERANCE		NAME(INTENDED USE) CUSTOMER DRAWING	东莞市高钺达电子科技有限公司 惠州市高钺达光电科技有限公司		
X.X ±0.30	X.* ±10'	PART NO.	TITLE: USB CF 24PIN SMT TYPE MID-MOUNT 0.8		
.XX ±0.20	.X' ± 8'	DESIGN:	DRAWG NO. TYPE24-N1N1-CB080-A		
.XXX ±0.10	.XX* ± 5'	CHED:	SCALE	SHEET	REV.
UNITS	mm	APPD:	1:1	1/3	A
MATERILA	----				
FINISH	-----				