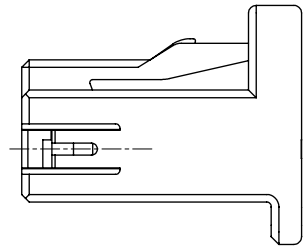
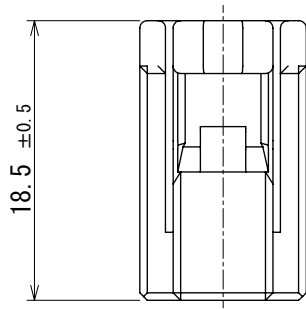


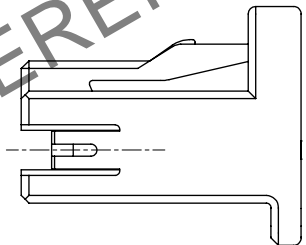
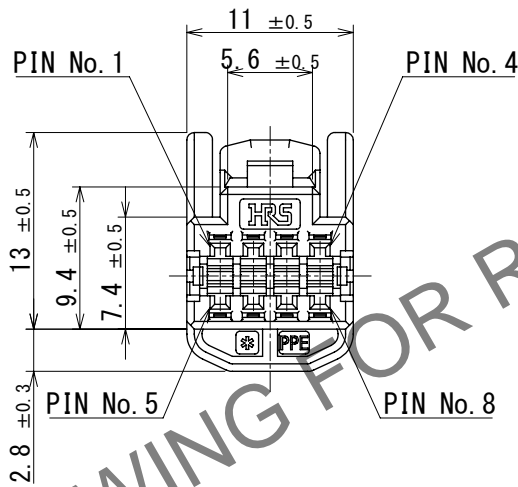
Feb.1.2026 Copyright 2026 HIROSE ELECTRIC CO., LTD. All Rights Reserved.  
 In case of consideration for using Automotive equipment / device which demand high reliability, kindly contact our sales window correspondents.

ELV, RoHS COMPLIANT

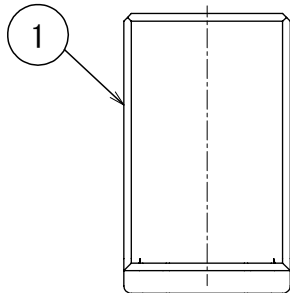


② RETAINER COMPLETELY ASSEMBLED CONDITION

△ PIN No. DESCRIPTION



① RETAINER PRESET CONDITION



- NOTE. ① Use this product with retainer GT25-8DS-R preset.  
 Retainer GT25-8DS-R product No. : CL0775-0065-6  
 ② RETAINER TO BE COMPLETELY ASSEMBLED INTO POSITION AFTER CONTACT IS INSERTED.  
 △ 3 PLEASE REFER TO INSTRUCTION SHEET ETAD-T0329-00 BEFORE USE.

1	PPE	BLACK						
NO.	MATERIAL	FINISH	REMARKS	NO.	MATERIAL	FINISH	REMARKS	
UNITS		SCALE	COUNT	DESCRIPTION OF REVISIONS		DESIGNED	CHECKED	DATE
mm				2:1	2	DIS-T-00018642	AN. SAIKI	TY. MOGI
	HIROSE ELECTRIC CO., LTD.	APPROVED : HK. UMEHARA	2020.09.02	DRAWING NO.		EDC-169599-00-00		
		CHECKED : HH. TSUKUMO	2020.09.02	PART NO.		GT25-8DS-HU		
		DESIGNED : DONGCHAN KIM	2020.09.01	CODE NO.		CL0775-0064-3-00		
		DRAWN : AN. SAIKI	2020.08.28					