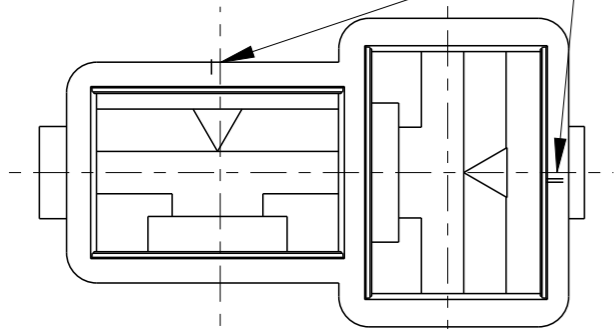


LOC	DIST
1	-

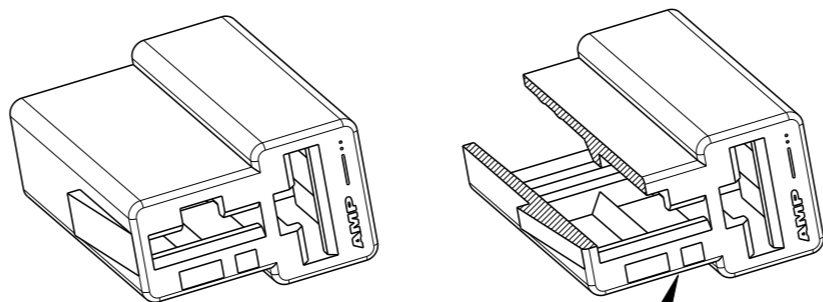
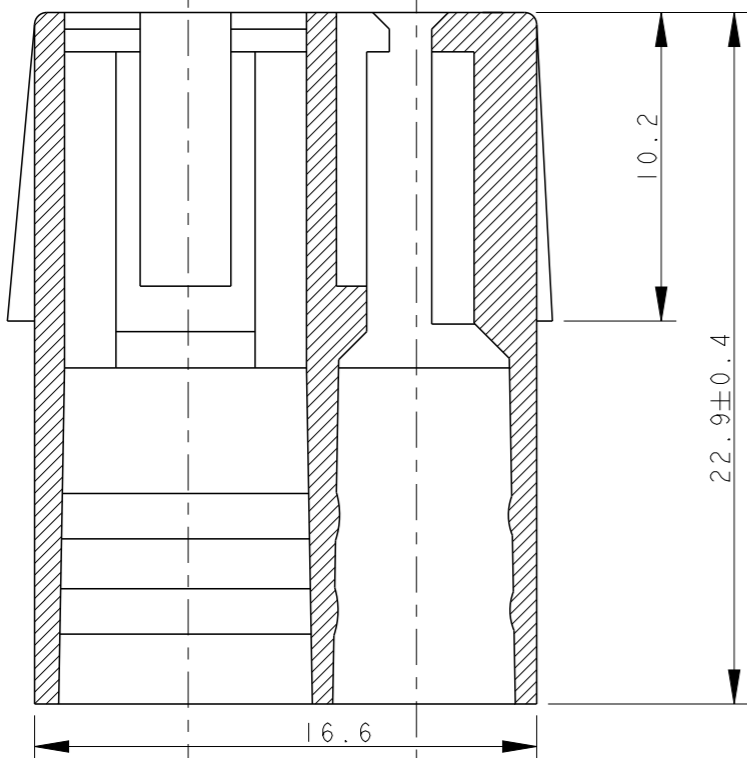
REVISIONS					
P	LTR	DESCRIPTION	DATE	DWN	APVD
	AA8	REVISED PER ECO-11-005301	28MAR2011	RK	HMR
	AA9	REVISED PER ECR-24-226554	08DEC2025	AG	JS

SCALE 4:1

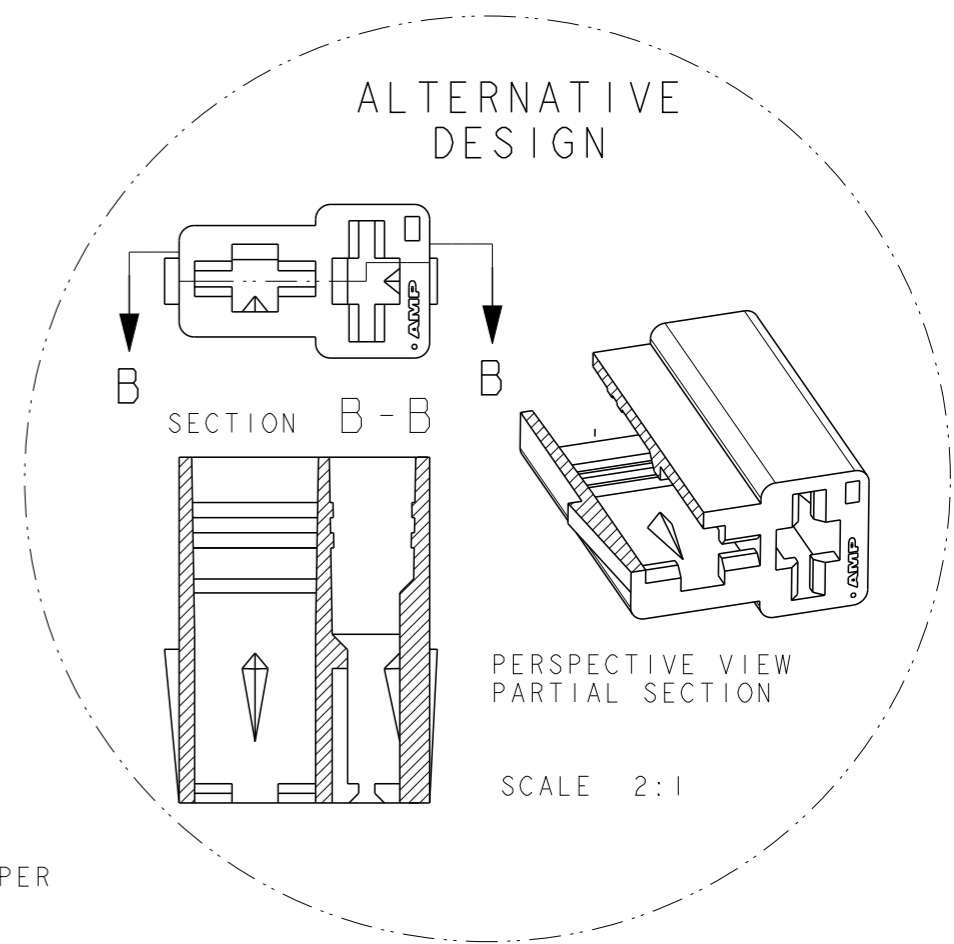
CIRCUIT IDENTIFICATION



SECTION A-A



PERSPECTIVE VIEW PARTIAL SECTION



ALTERNATIVE DESIGN

SECTION B-B

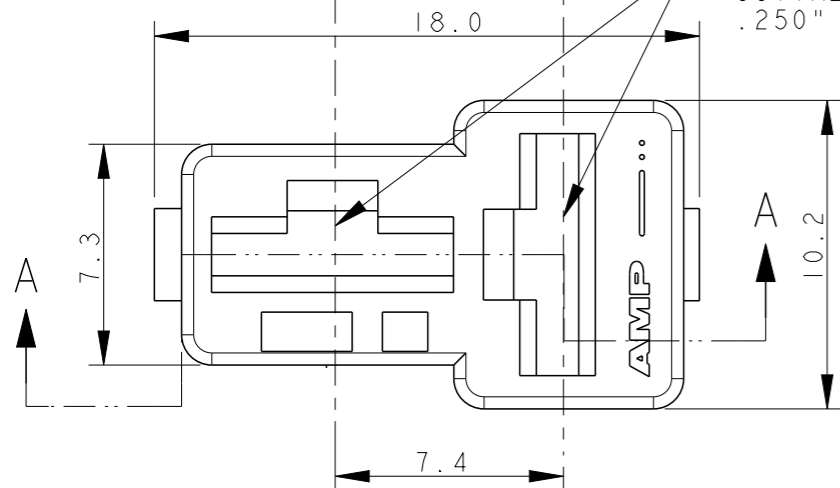
PERSPECTIVE VIEW PARTIAL SECTION

SCALE 2:1

- ① SAME AS 0-180907-0 BUT SPECIAL PACKAGING, ON CARTON BOX, TWO PLASTIC BAG WITH 3000 PIECES ON EACH.
- ② NOT YET RELEASED FOR PRODUCTION
- ③ OBSOLETE PARTS: OBSOLETE CIS STREAMLINING PER D.REANUD/D.SINISI

NOTES	COLOUR	MATERIAL	P/N	REV
③ OBSOLETE	HEAT STABILIZED MATERIAL	BLACK	POLYAMIDE 6.6, UL 94 V2	4-180907-0 AA
		NATURAL	POLYAMIDE 6.6	3-180907-0 AA
	-	NATURAL	POLYAMIDE 6.6	2-180907-0 AA
	ACC. TO IEC 60335-1	NATURAL	POLYAMIDE 6.6, UL 94 V0	1-180907-6 AA
	UL APPROVED	NATURAL	NYLON 6.6; ZYTEL 101L	1-180907-0 AA
	-	BLACK		0-180907-5 AA
	-	YELLOW		0-180907-4 O
③ OBSOLETE	-	BLUE	POLYAMIDE 6.6	0-180907-3 AA
	-	RED		0-180907-1 AA
	-	NATURAL		0-180907-0 AA

TYPICAL CAVITY SUITABLE FOR .250" SRS FASTIN-FASTON* REC. CONTACT



TE AMP TRADEMARK (OPTIONAL)

THIS DRAWING IS A CONTROLLED DOCUMENT.		DWN H. YAALI 14JUN2002	TE Connectivity	
DIMENSIONS: mm		CHK C. TARTARI		
TOLERANCES UNLESS OTHERWISE SPECIFIED:		APVD -	NAME	
0 PLC ±-		PRODUCT SPEC 108-20020	2 WAY FASTIN-FASTON RECEPTACLE HOUSING .250 SERIES	
1 PLC ±0.3		APPLICATION SPEC 114-2025		
2 PLC ±-		WEIGHT -	SIZE A3	CAGE CODE 00779
3 PLC ±-		MATERIAL SEE TABLE	DRAWING NO C-180907	RESTRICTED TO
4 PLC ±-			CUSTOMER DRAWING	SCALE 4:1
ANGLES ±2°				REV AA9
FINISH -				