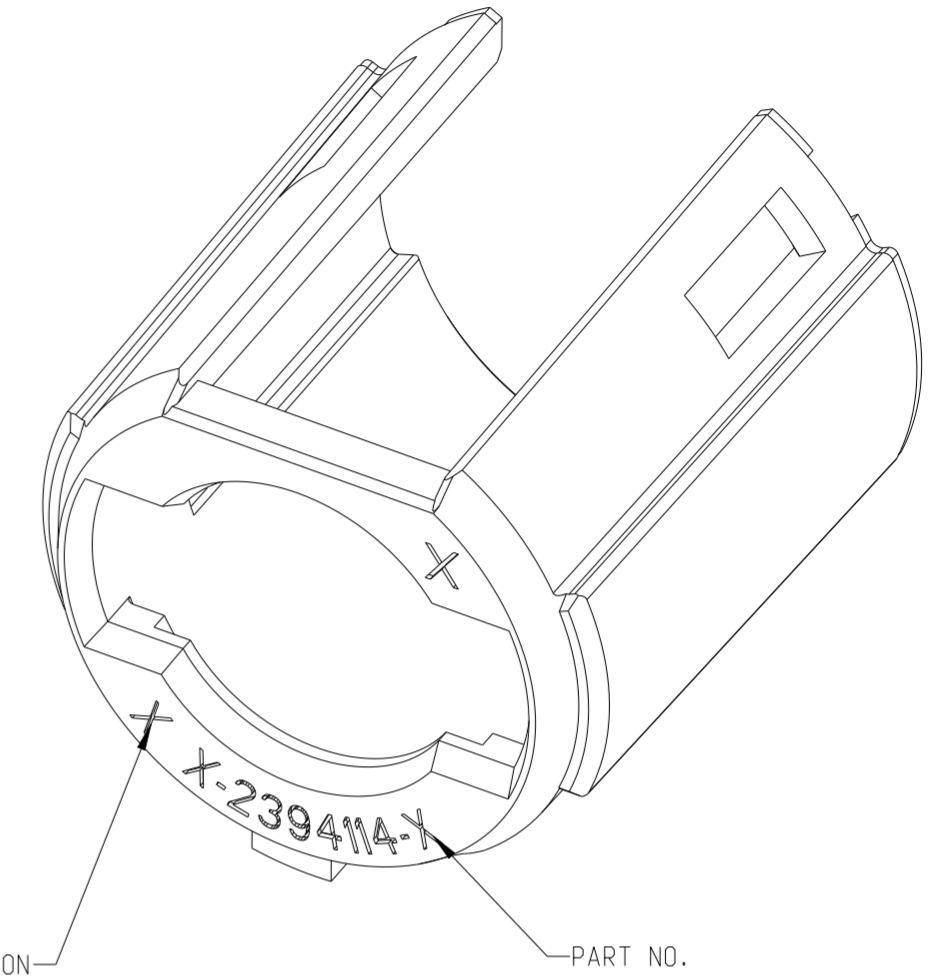
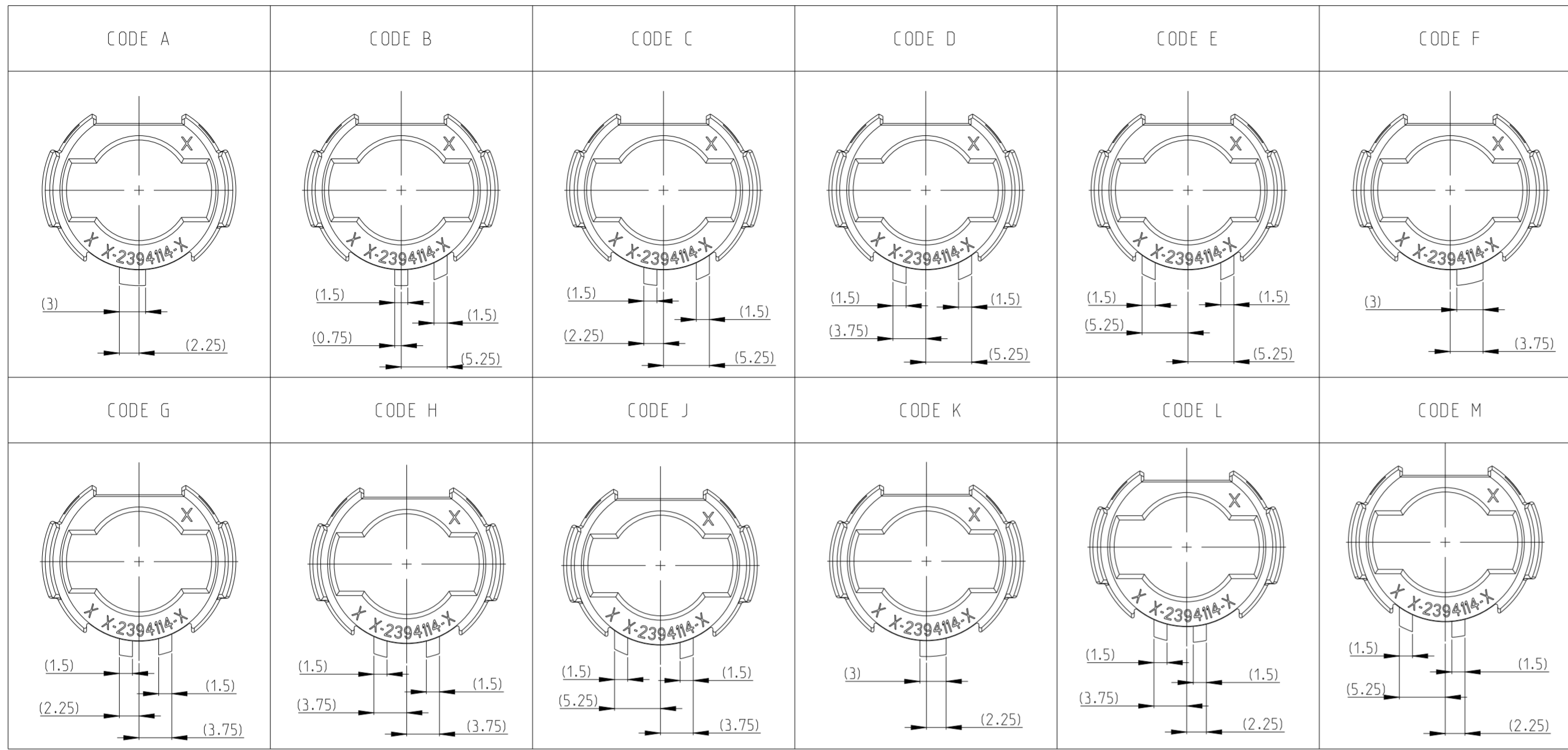
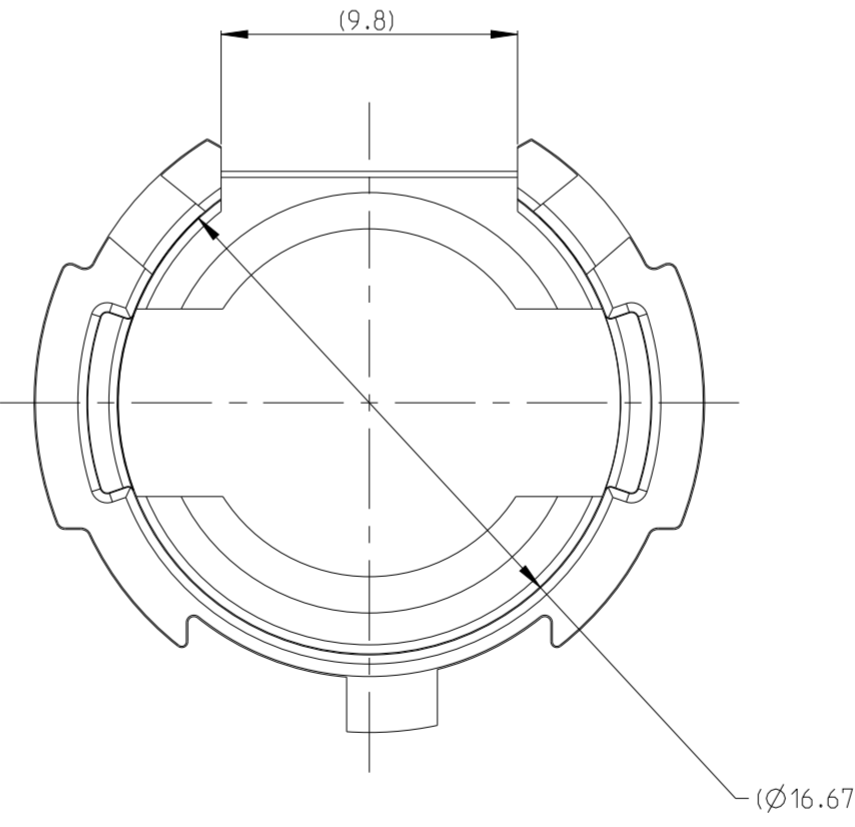
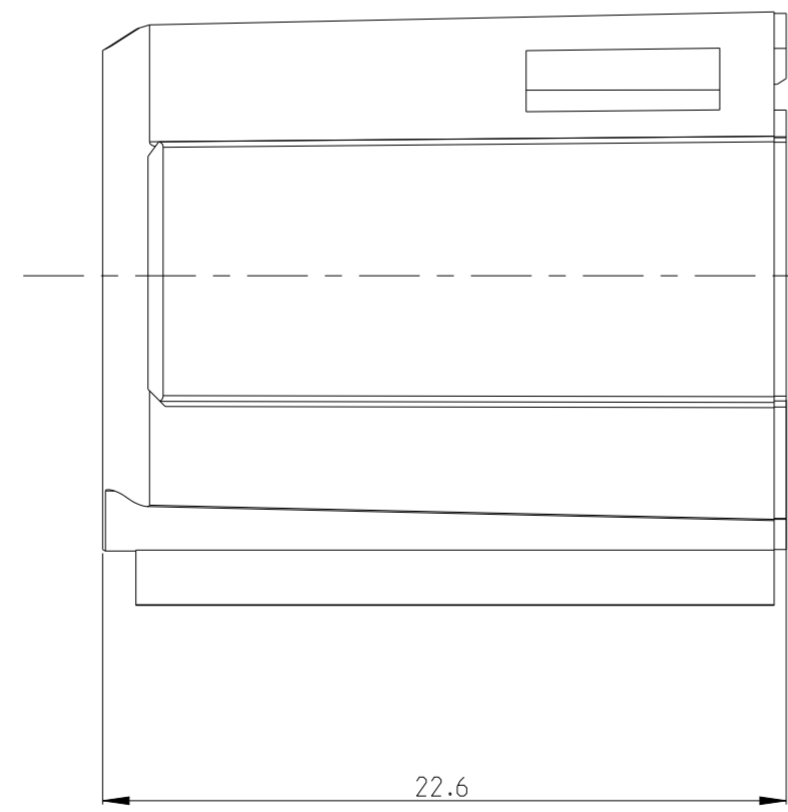
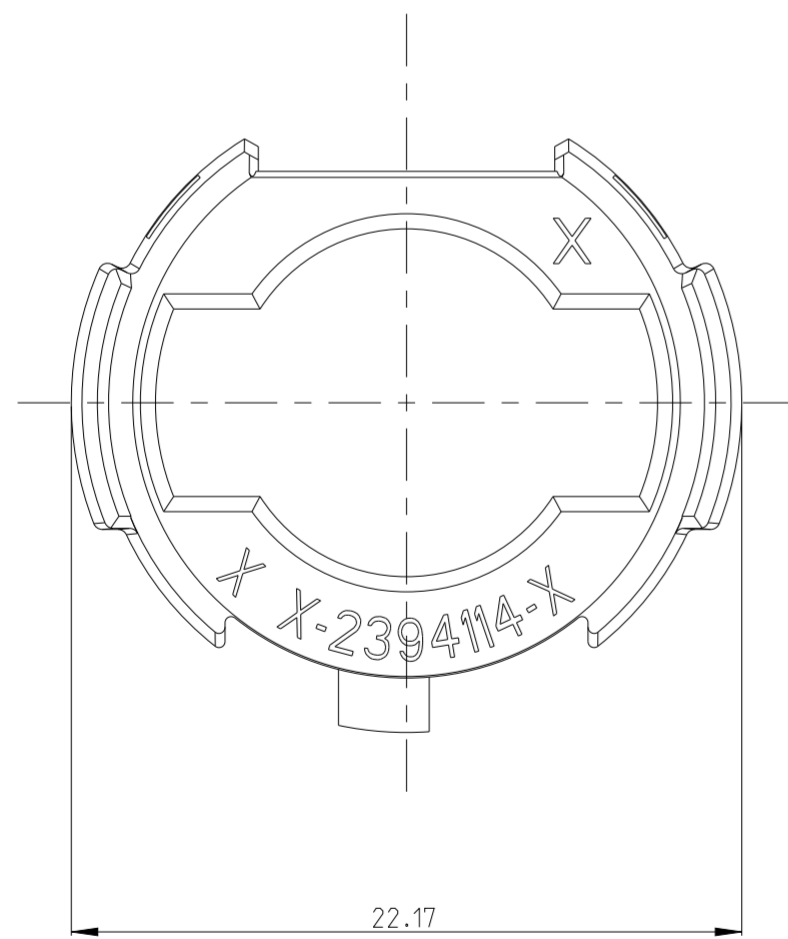


P	LTR	DESCRIPTION	DATE	DWN	APVD
A		INITIAL RELEASE	28OCT2022	C.C	Z.Z
B		PCN-24-206191	01MAY2024	S.G	Z.Z
B1		PCN-25-240976	05MAY2025	S.T	Z.Z



SCALE 4:1



- 1 MATERIAL: PA66-GF
- 2. BULK PACKAGE

PART REV.	COLOR	CODE	PART NO.
B	AQUA RED	M	1-2394114-3
B	AQUA BROWN	L	1-2394114-2
B	AQUA GREEN	K	1-2394114-1
B	ORANGE	J	2394114-9
B	YELLOW	H	2394114-8
B	RED	G	2394114-7
B	BROWN	F	2394114-6
B	GREEN	E	2394114-5
B	PURPLE	D	2394114-4
B	BLUE	C	2394114-3
B	NATURE	B	2394114-2
B	BLACK	A	2394114-1

THIS DRAWING IS A CONTROLLED DOCUMENT.

DWN	C.CAO	28OCT2022
CHK	J.JI	28OCT2022
APVD	Z.ZHOU	28OCT2022
PRODUCT SPEC	108-160341	
APPLICATION SPEC	114-160182/160411	
WEIGHT	2.54g	
CUSTOMER DRAWING	SCALE 2:1	SHEET 1 OF 1

NAME: PLUG TPA HVP-HD1000

SIZE: A2 CAGE CODE: 00779 DRAWING NO: C-2394114

RESTRICTED TO: - REV: B1