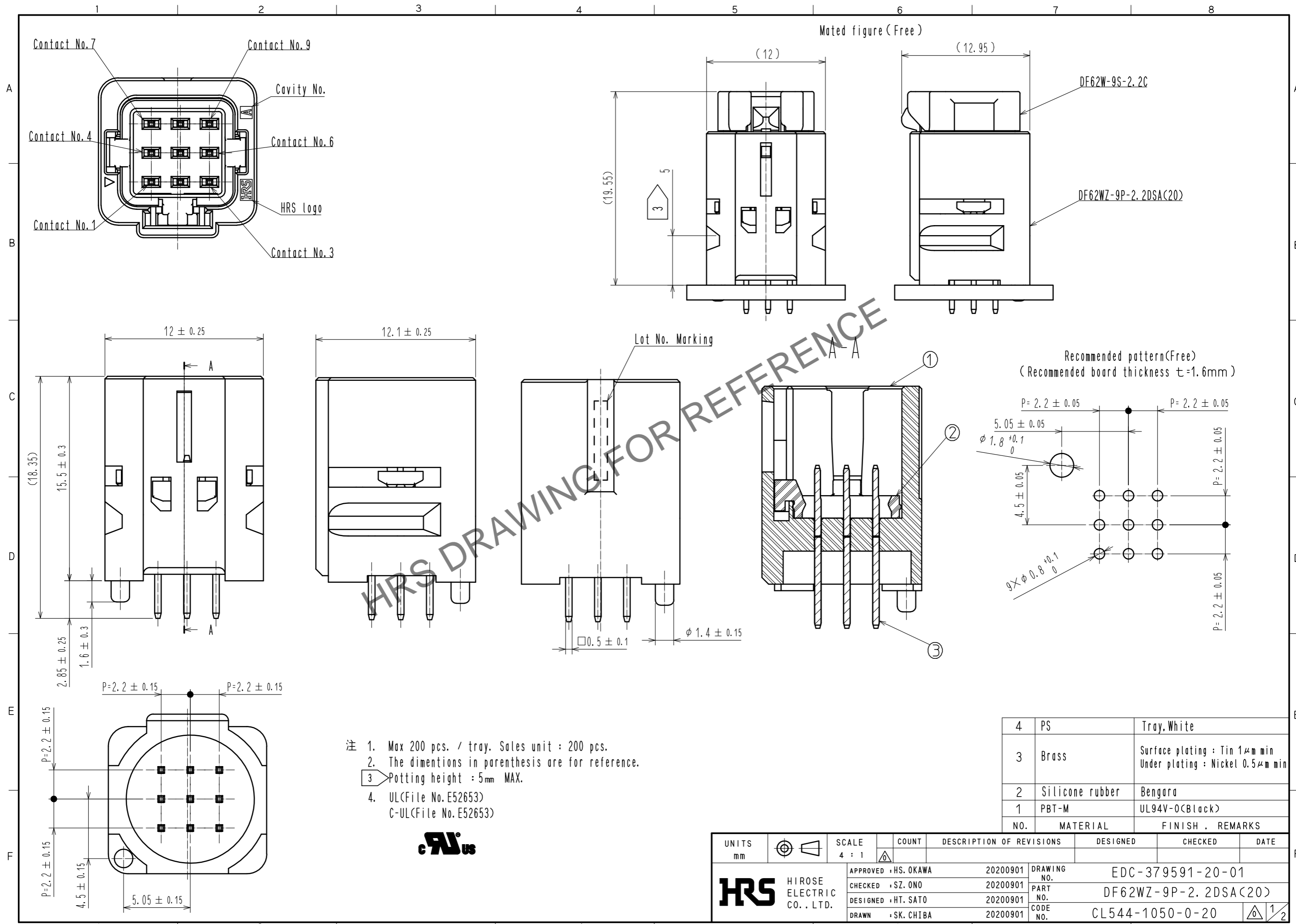


Mar.1.2026 Copyright 2026 HIROSE ELECTRIC CO., LTD. All Rights Reserved.  
In case of consideration for using Automotive equipment / device which demand high reliability, kindly contact our sales window correspondents.



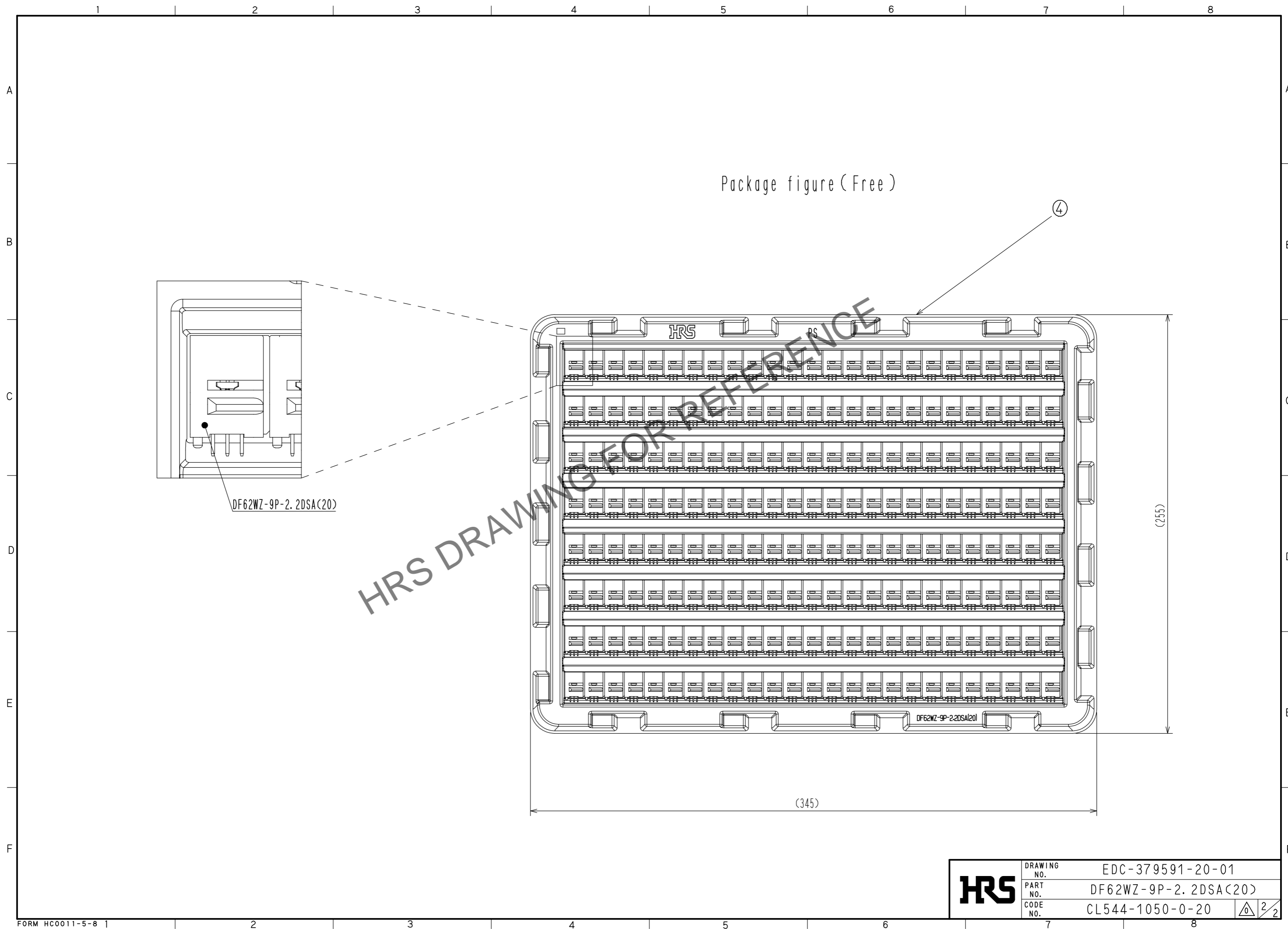
- 注 1. Max 200 pcs. / tray. Sales unit : 200 pcs.  
 2. The dimentions in parenthesis are for reference.  
 3. Potting height : 5mm MAX.  
 4. UL(File No. E52653)  
 C-UL(File No. E52653)



NO.	MATERIAL	FINISH . REMARKS
4	PS	Tray, White
3	Brass	Surface plating : Tin 1μm min Under plating : Nickel 0.5μm min
2	Silicone rubber	Bengara
1	PBT-M	UL94V-0(Black)

UNITS	SCALE	COUNT	DESCRIPTION OF REVISIONS	DESIGNED	CHECKED	DATE
mm	4 : 1	△				
APPROVED : HS. OKAWA			20200901	DRAWING NO. EDC-379591-20-01		
CHECKED : SZ. ONO			20200901	PART NO. DF62WZ-9P-2.2DSA(20)		
DESIGNED : HT. SATO			20200901	CODE NO. CL544-1050-0-20		
DRAWN : SK. CHIBA			20200901	1/2		

Mar.1.2026 Copyright 2026 HIROSE ELECTRIC CO., LTD. All Rights Reserved.  
In case of consideration for using Automotive equipment / device which demand high reliability, kindly contact our sales window correspondents.



<b>HRS</b>	DRAWING NO.	EDC-379591-20-01
	PART NO.	DF62WZ-9P-2.2DSA(20)
	CODE NO.	CL544-1050-0-20
		2/2