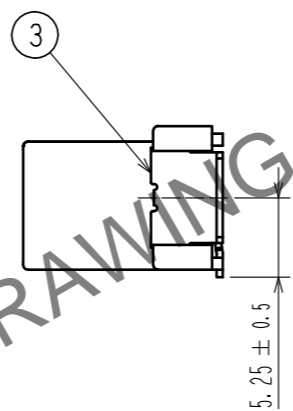
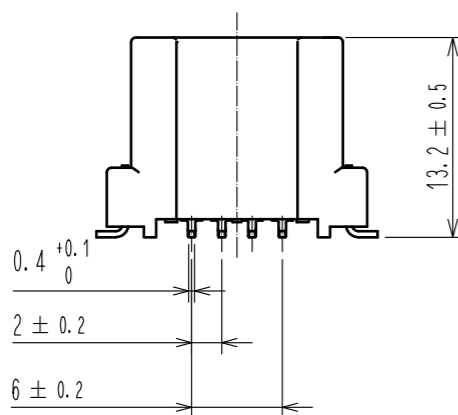
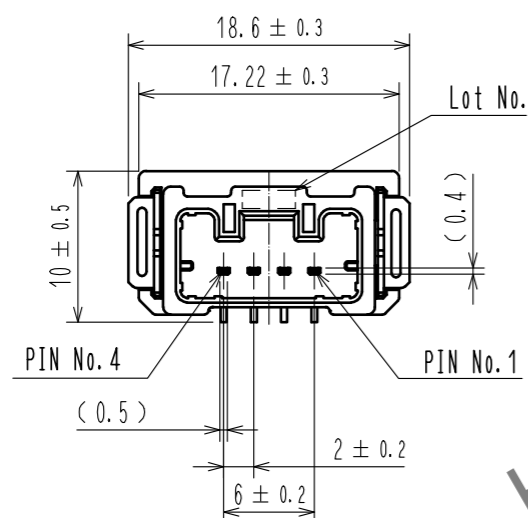
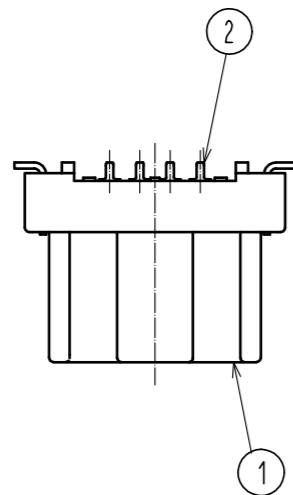
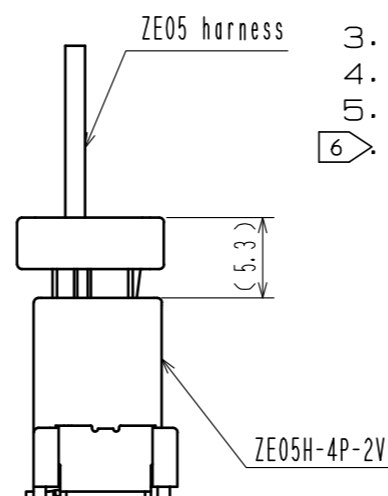


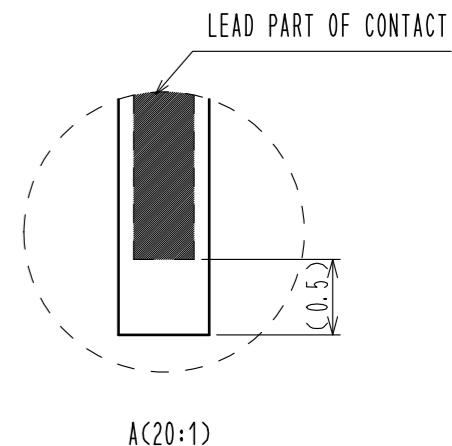
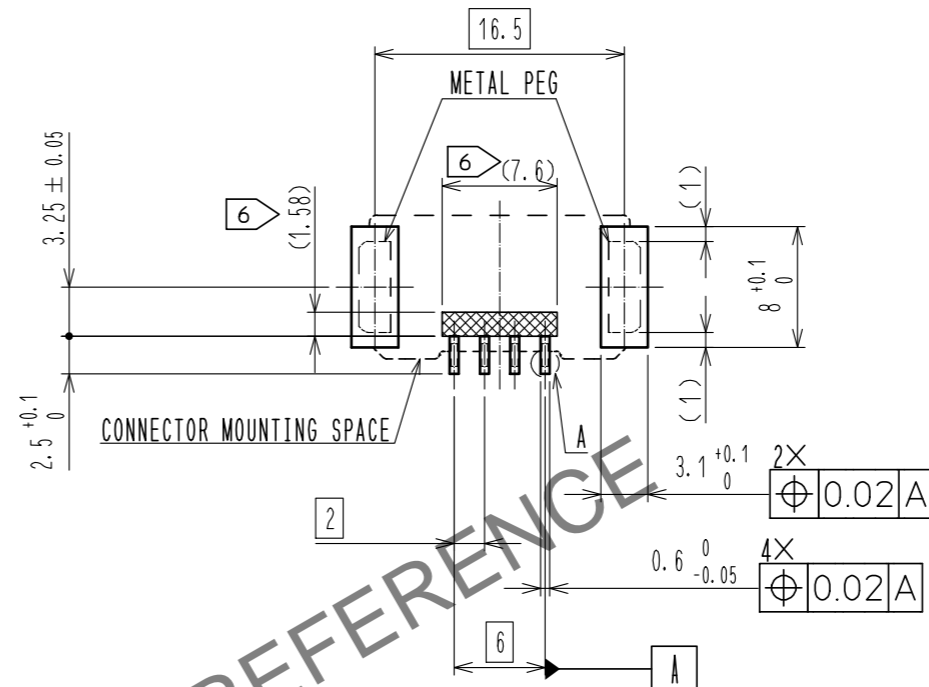
ELV, RoHS COMPLIANT



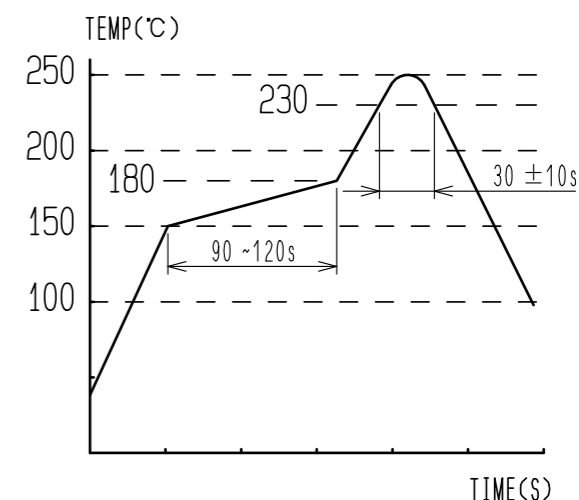
MATED CONNECTORS



RECOMMENDED PCB PATTERN



- NOTE 1. RECOMMENDED TEMPERATURE PROFILE FOR REFLOW (REFER TO RIGHT FIG.) USED REFLOW SYSTEM
 : IR IN THE AIR OR NITROGEN
 NO. OF CYCLES : 2 MAX
 PEAK : 250°C
 OVER 230°C : 20~40s
 PREHEAT : 150~180°C
 90~120s
2. TEMPERATURE FOR SOLDERING IRON : 280~300°C WITHIN 2s
3. CO-PLANARITY SHALL BE 0.1mm MAX.
4. RECOMMENDED PCB THICKNESS IS 1.6mm.
5. RECOMMENDED SOLDER THICKNESS IS 0.15mm.
6. : PROHIBITED PATTERN AREA



3	BRASS	SURFACE PLATING : TIN PLATING 1μm min					
		UNDER PLATING : NICKEL 1μm min					
2	BRASS	SURFACE PLATING : TIN PLATING 1μm min	6	POLYIMIDE	PICK & PLACE TAPE		
		UNDER PLATING : NICKEL 1μm min	5	POLYESTER			
1	PA	BLACK UL94V-0	4	POLYSTYRENE			
NO.	MATERIAL	FINISH . REMARKS	NO.	MATERIAL	FINISH . REMARKS		
UNITS mm		SCALE 2 : 1	COUNT 2	DESCRIPTION OF REVISIONS DIS-T-00006748	DESIGNED YH.MAMADA	CHECKED HH.TSUKUMO	DATE 20200920
HRS HIROSE ELECTRIC CO., LTD.		APPROVED : HK. UMEHARA	20181127	DRAWING NO. EDC-376503-00-00			
		CHECKED : AH. EDASHIGE	20181127	PART NO. ZE05H-4P-2V			
		DESIGNED : TY. ISHIGURO	20181127	CODE NO. CL752-2310-0-00			
		DRAWN : TY. ISHIGURO	20181127				

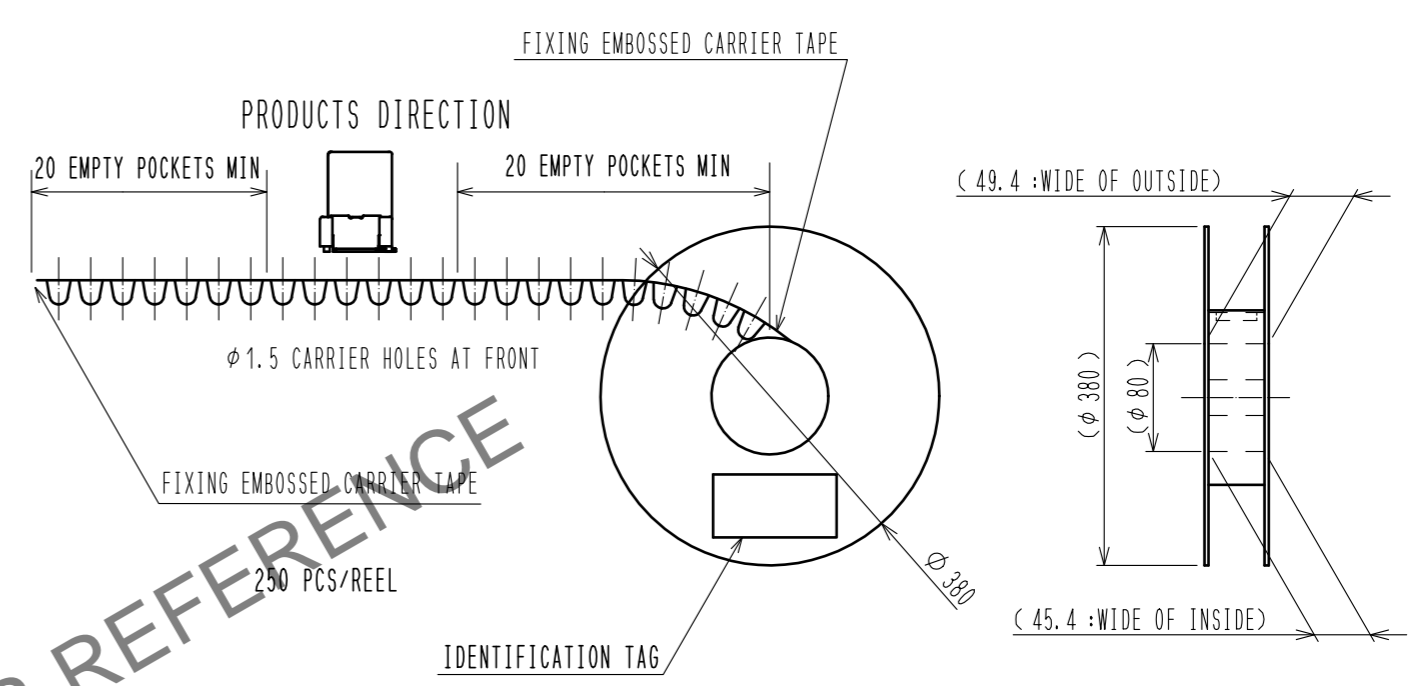
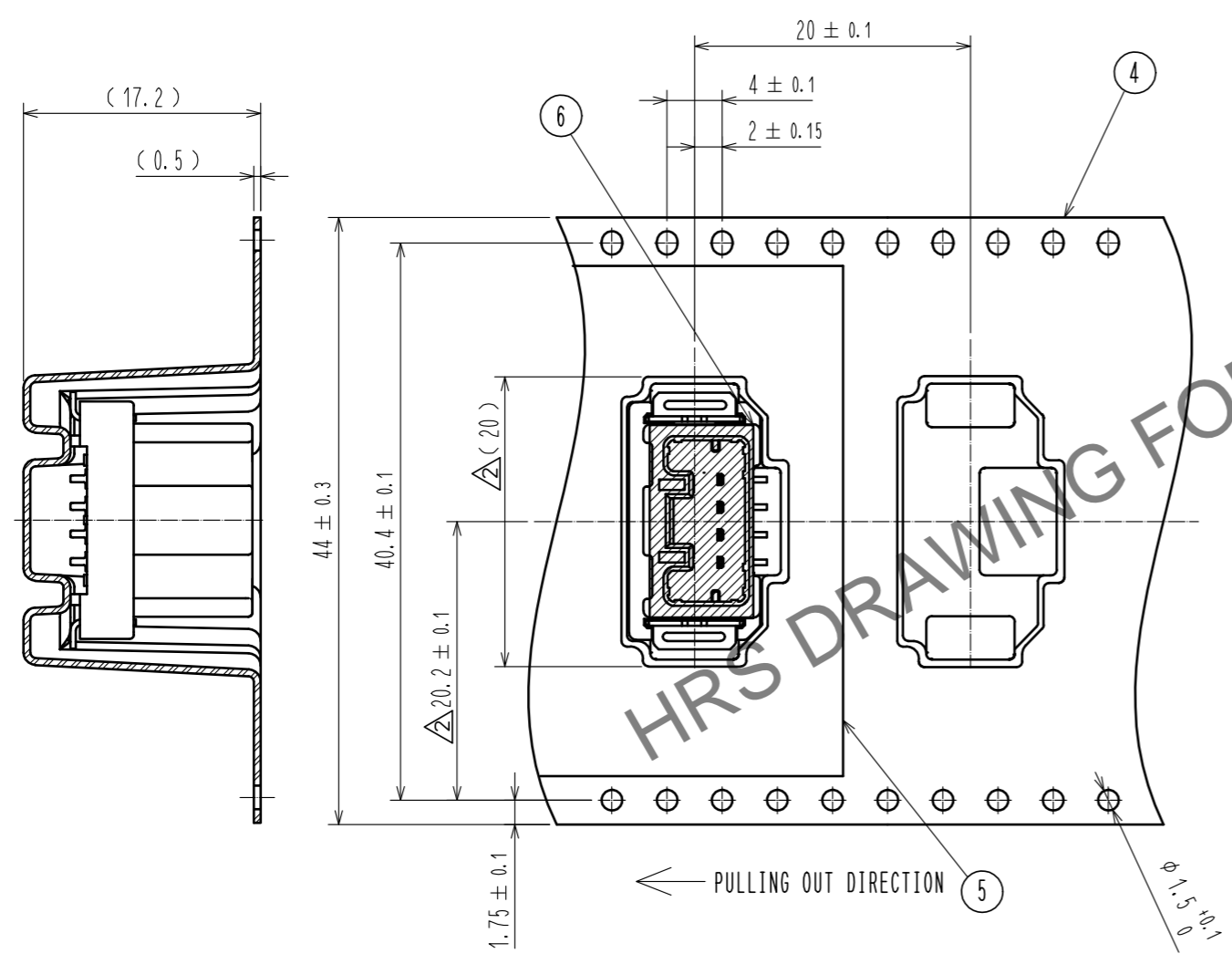
Mar.1.2026 Copyright 2026 HIROSE ELECTRIC CO., LTD. All Rights Reserved. In case of consideration for using Automotive equipment / device which demand high reliability, kindly contact our sales window correspondents.

Mar.1.2026 Copyright 2026 HIROSE ELECTRIC CO., LTD. All Rights Reserved.
 In case of consideration for using Automotive equipment / device which demand high reliability, kindly contact our sales window correspondents.

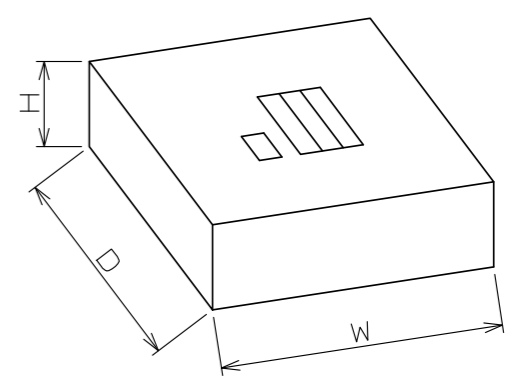
PACKING STYLE

REEL DIMENSION (FREE)

PACKING STYLE DRAWING



CARDBOARD DIMENSION (FREE)



W=(405) (mm)
 D=(405) (mm)
 H=(51) (mm)

HRS DRAWING FOR REFERENCE

HRS	DRAWING NO.	EDC-376503-00-00	2/2
	PART NO.	ZE05H-4P-2V	
	CODE NO.	CL752-2310-0-00	