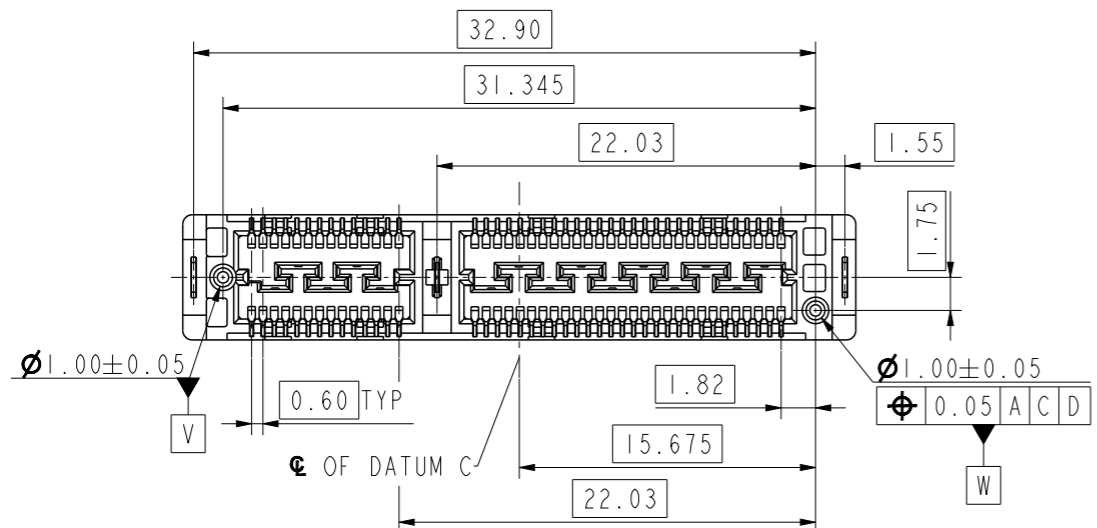
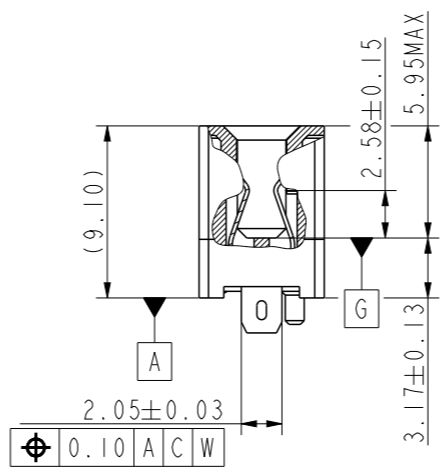
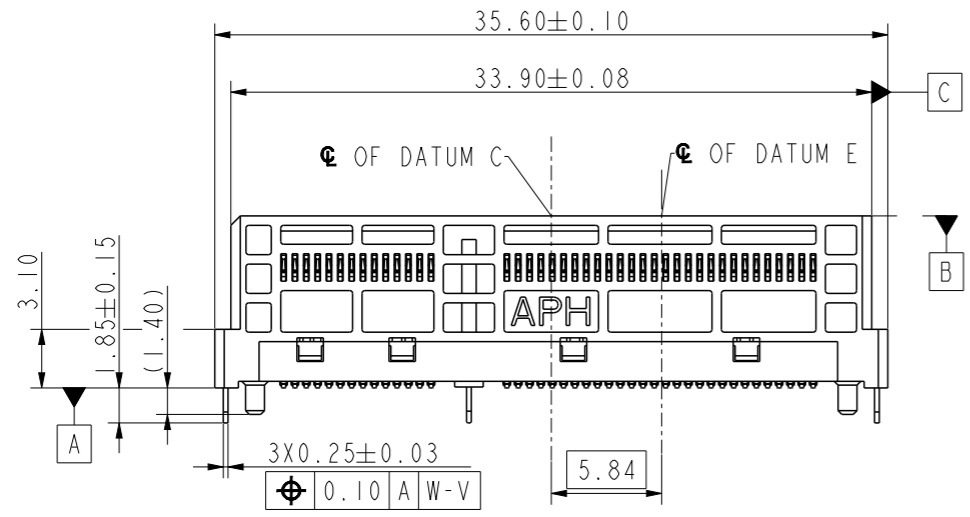
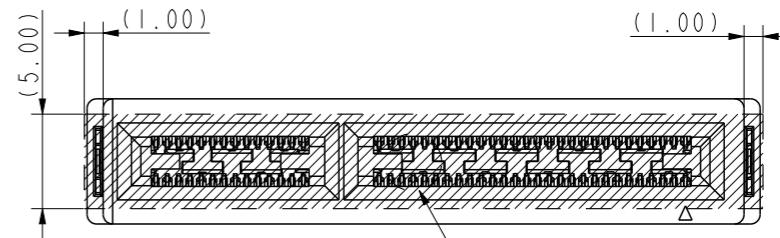
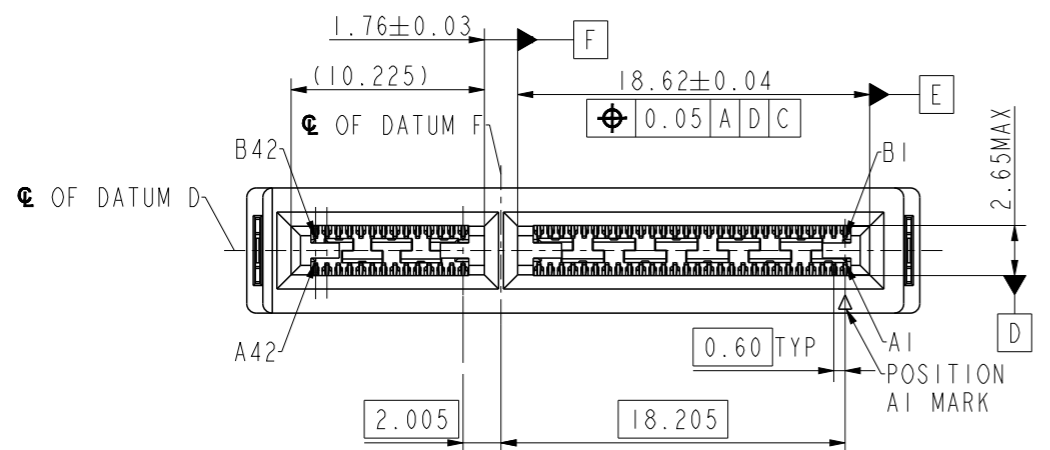


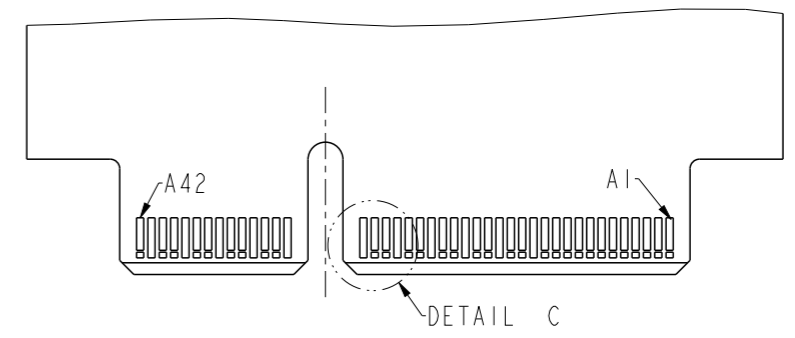
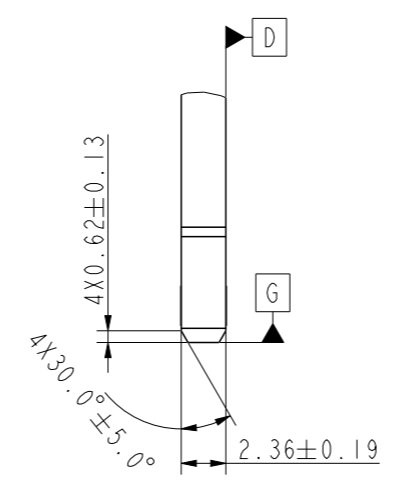
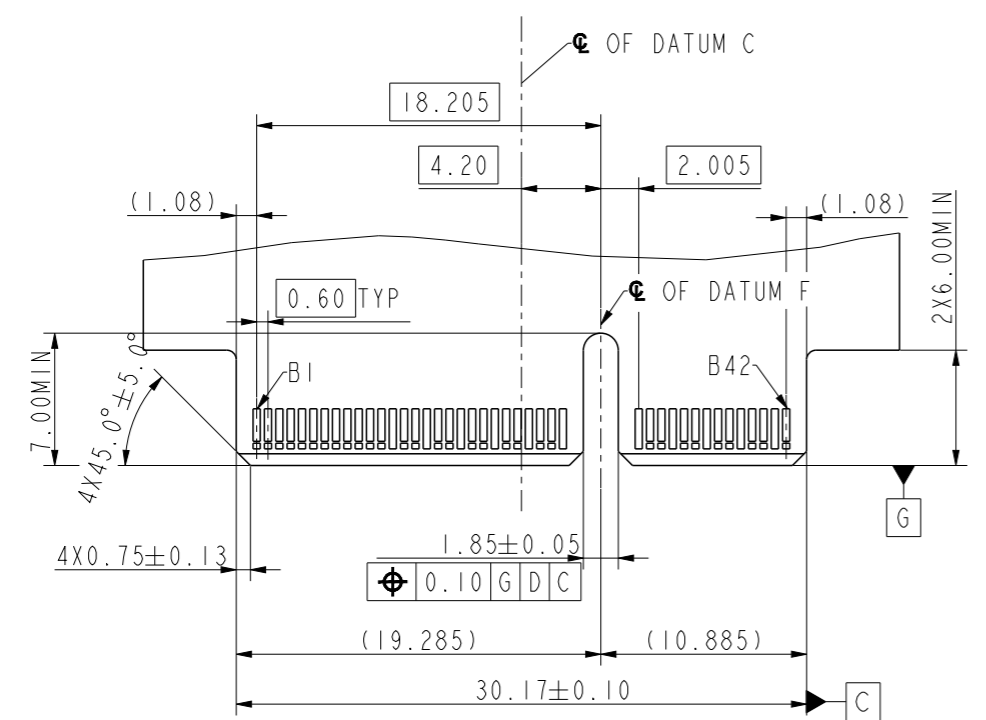
revision history				
rev	ecn no	description	dr	date
XI	-	PROPOSAL DRAWING	RH	2022/07/20
A	ELX-CD-F3417-1	OFFICIAL RELEASE	RH	2024/07/15



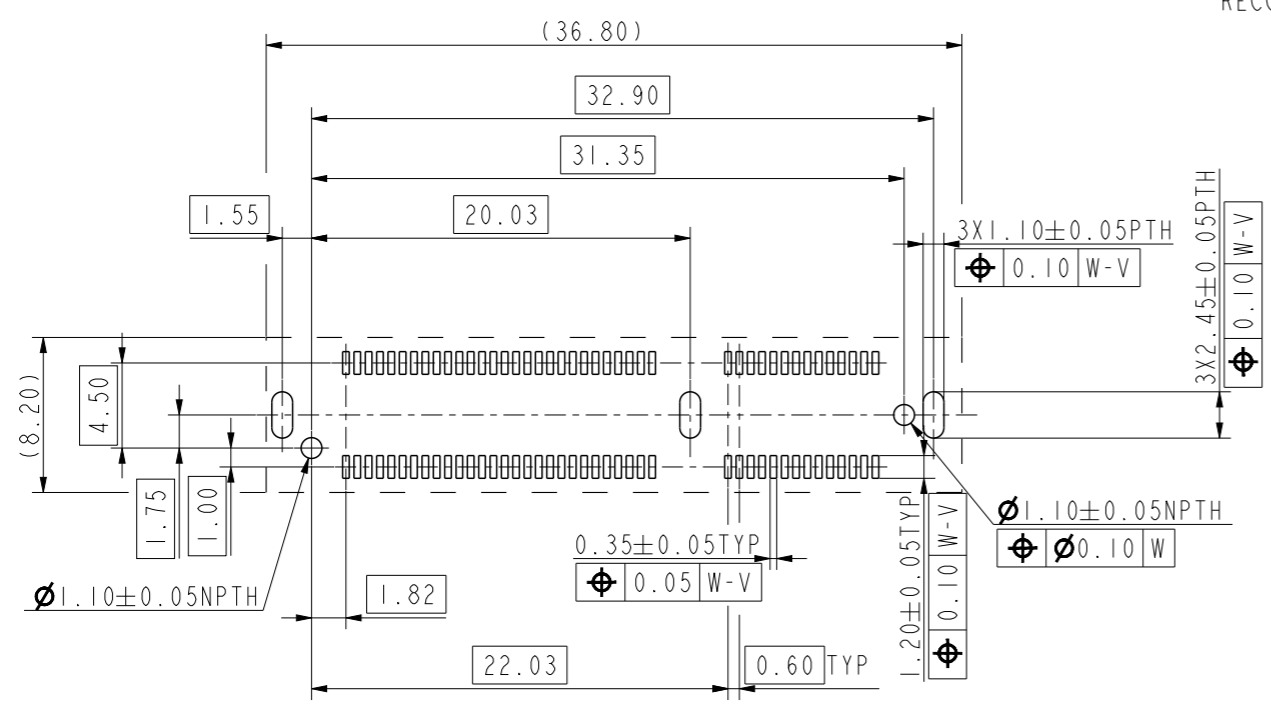
- NOTE:
- MATERIAL:
HOUSING: HIGH TEMPERATURE THERMOPLASTIC BLACK UL94-V0.
CONTACT: COPPER ALLOY
BOARD LOCK: COPPER ALLOY
 - PLATING:
CONTACT: MATING AREA: SEE BELOW PART NUMBER LIST TABLE,
OVER 1.27um MIN NICKEL UNDERPLATED;
SOLDER AREA: 1.27um MIN MATTE TIN OVER
1.27um MIN NICKEL UNDERPLATED.
BOARD LOCK: 1.27um MIN MATTE TIN OVER 1.27um MIN NICKEL UNDERPLATED
 - ELECTRICAL PERFORMANCE:
RATED CURRENT: 1.1A/PIN UP TO 12PINS
LLCR: DELTA 15mΩ MAX
INSULATION RESISTANCE: 1000Ω MIN.
 - CONNECTOR IS ROHS COMPLIANT.
 - ORDERING PART NUMBER AS BELOW TABLE

PART NUMBER SYSTEM		
DRW NO.	ME100841012101	X
ITEM	LEV	1
1	X	PLATED CODE AT MATING AREA 1: 0.76um Au 2: 0.38um Au 3: GOLD FLASH 4: 0.76 GXT 5: 0.38 GXT

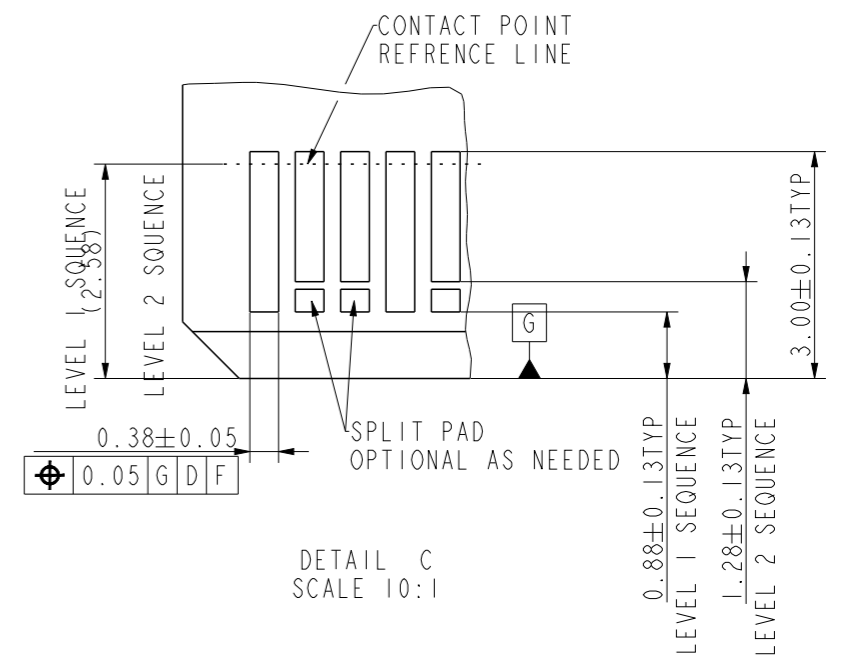
spec ref	S-ME-004	dr	Rocky Huang	2024/07/22	<h1>Amphenol SS10</h1>	mm	scale	1:1	size	A3
tolerance std	TOLERANCES UNLESS OTHERWISE SPECIFIED	eng	Rocky Huang	2024/07/22		ecn no				
		r vwr	Johnny Wang	2024/07/22		rel level	Released			
		appr	LY Yi	2024/07/22		amphenol-icc.com				
surface	linear	0.X	± 0.25	projection	MINI COOL EDEG CONNECTOR GEN5 V/T, 84P, AIC CARD 2.36mm	cat. no.	C ME100841012101X	rev	A	
		0.XX	± 0.20							
		0.XXX	± 0.15							
	angular	0°	± 5°		product family			sheet 1 of 3		



RECOMMENDED AIC MATING CARD

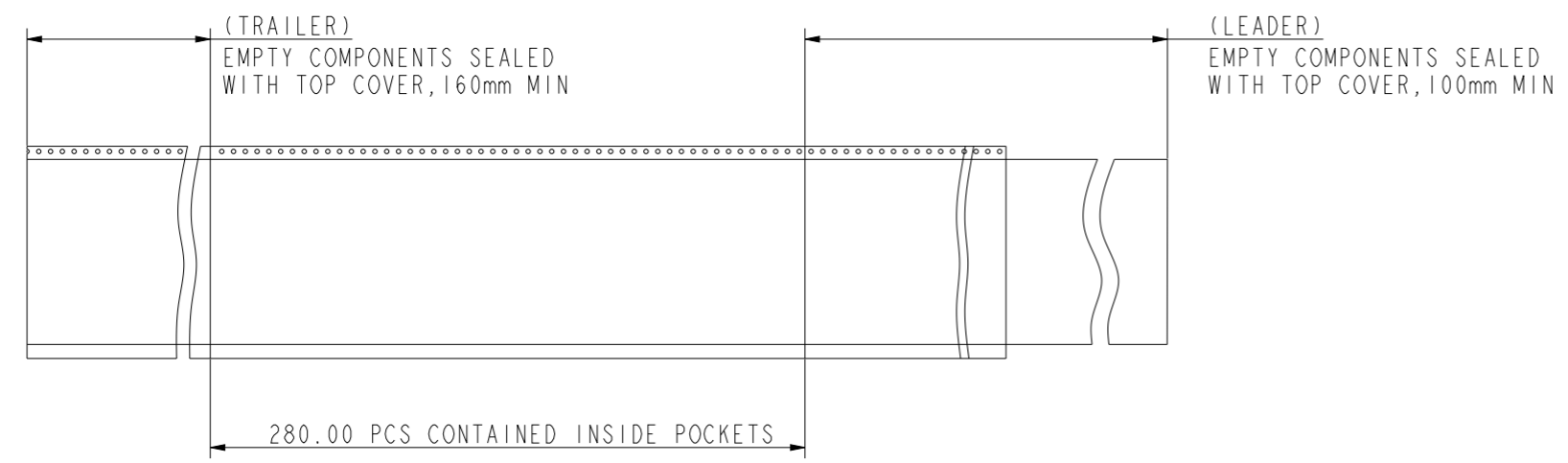
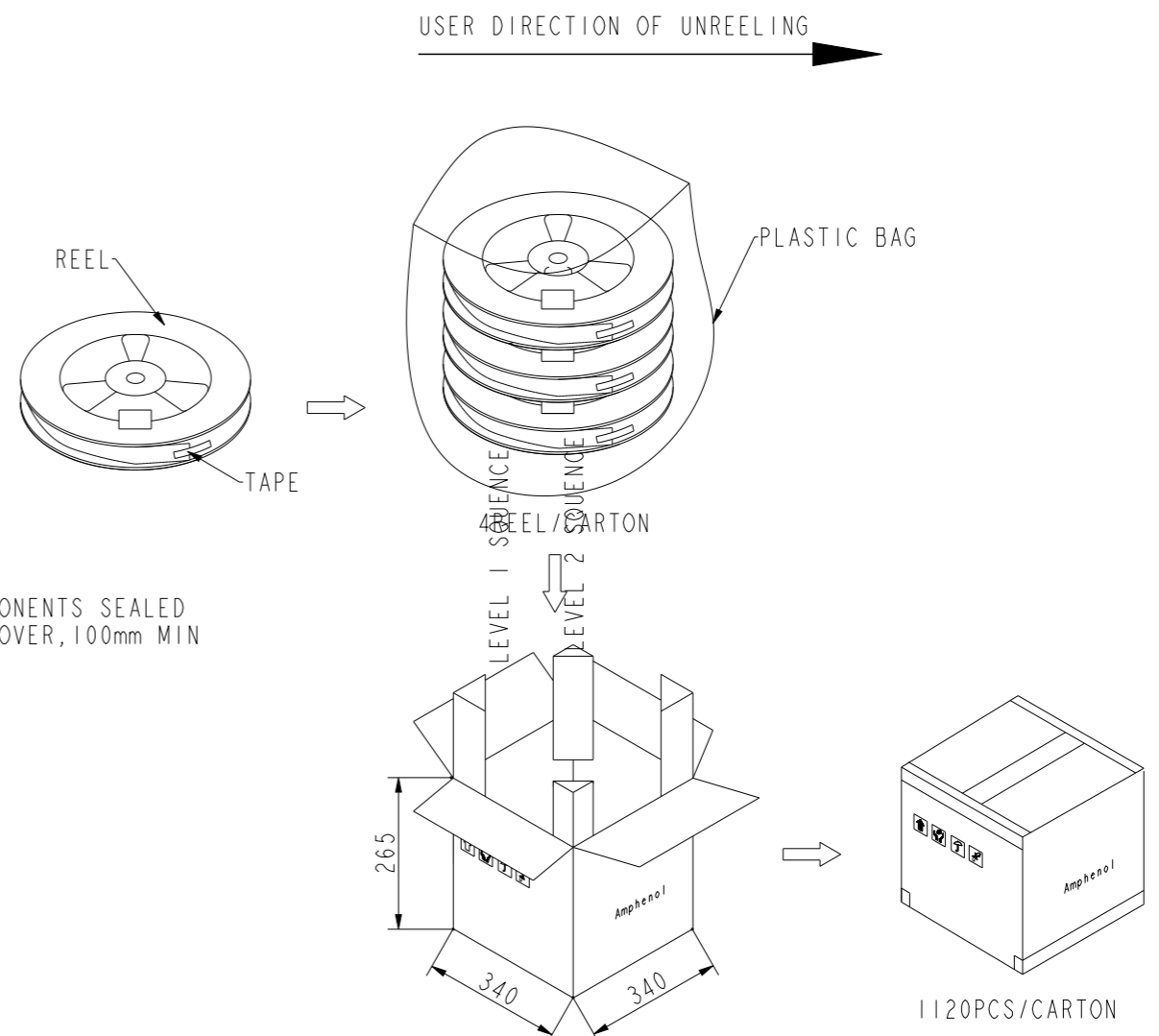
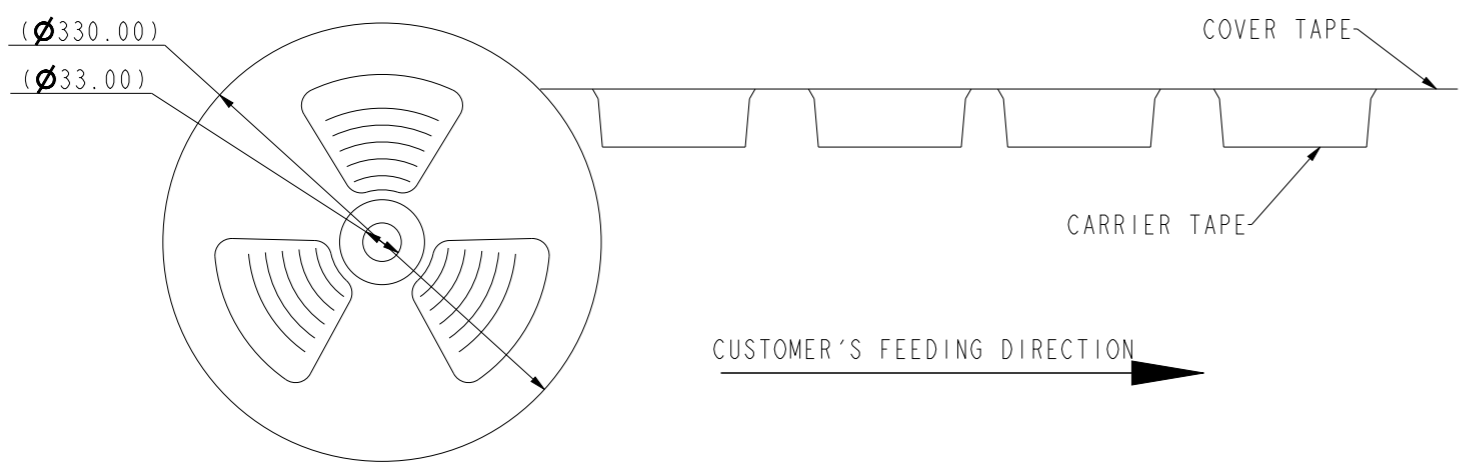
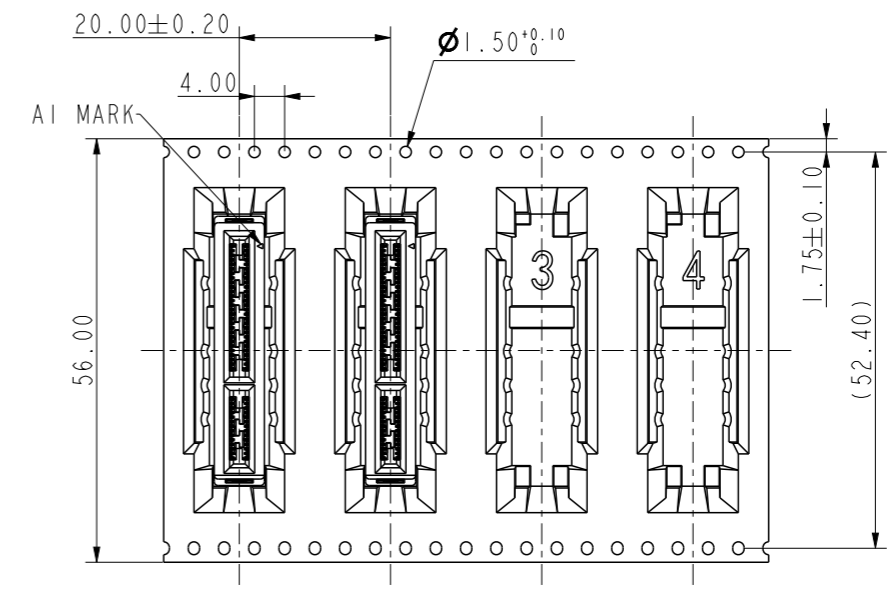
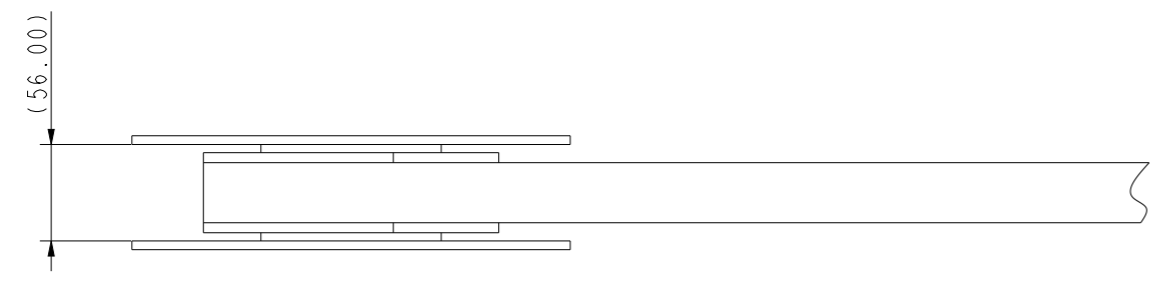


RECOMMENDED FOOTPRINT



DETAIL C SCALE 10:1

spec ref	S-ME-004	dr	Rocky Huang	2024/07/22	<h1>Amphenol SS10</h1>	mm	scale	5:2	size	A3
tolerance std	TOLERANCES UNLESS OTHERWISE SPECIFIED	eng	Rocky Huang	2024/07/22		ecn no				
		rwr	Johnny Wang	2024/07/22		rel level	Released			
		appr	LY Yi	2024/07/22		amphenol-icc.com				
surface	linear	0.X	± 0.25	projection	MINI COOL EDEG CONNECTOR GEN5 V/T, 84P, AIC CARD 2.36mm	cat. no.	C ME100841012101X	rev	A	
		0.XX	± 0.20							
		0.XXX	± 0.15							
	angular	0°	± 5°		product family			sheet 2 of 3		



spec ref	S-ME-004			dr	Rocky Huang	2024/07/22	<h1>Amphenol SS10</h1>	mm	scale	1:1	size	A3
tolerance std	TOLERANCES UNLESS OTHERWISE SPECIFIED			eng	Rocky Huang	2024/07/22		ecn no				
surface	linear	0.X	± 0.25	projection	rwr	Johnny Wang		2024/07/22	rel level		Released	
		0.XX	± 0.20		amphenol-icc.com							
		0.XXX	± 0.10		appr	LY Yi	2024/07/22	cat. no.	C ME100841012101X		rev	A
	angular	0°	± 5°		product family						sheet 3 of 3	