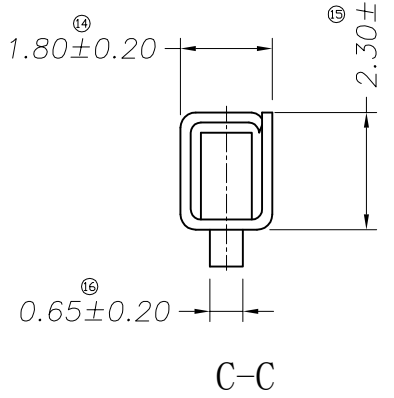
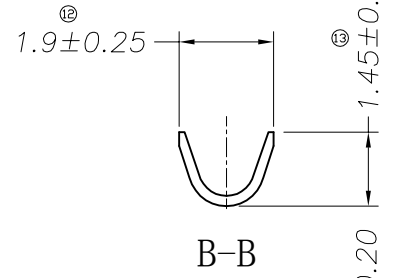
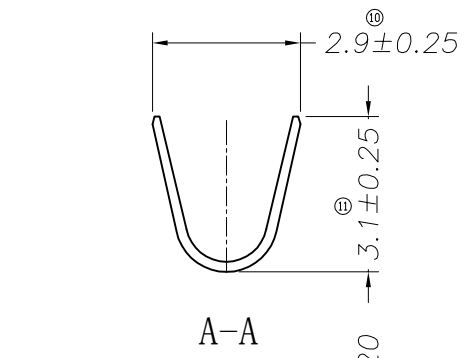
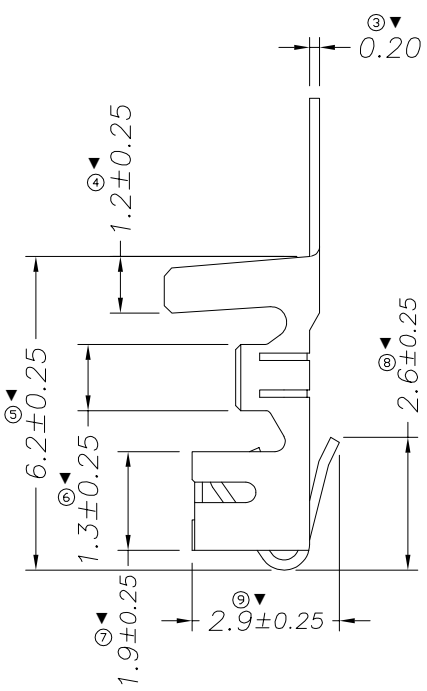
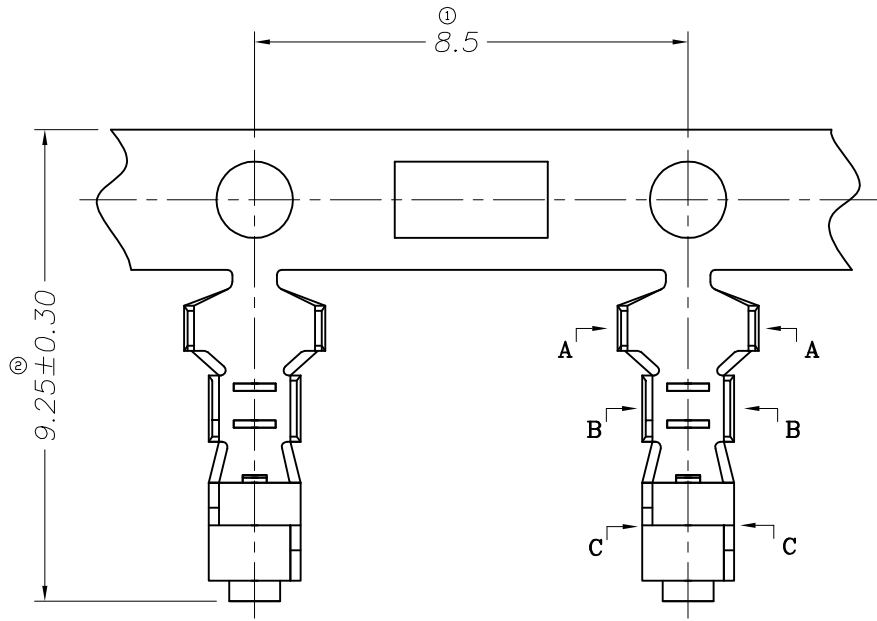


| | | | |
|------|------------|---------|--------------|
| 5 | 6 | 7 | 8 |
| REV. | DATE | ECN NO. | MODIFICATION |
| A0 | 2021.03.10 | *** | NEW |
| | | | APPROVER |
| | | | Abel |



Material:
 Contact: Copper alloy,
 Sn flash over Nickel.
 Electrical:
 1.Current Rating: 3.0A
 2.Voltage Rating: 250V DC
 3.Contact Resistance: 20mΩ MAX
 4.Dielectric Withstanding Voltage: 1000V AC
 5.Insulation Resistance: 1000MΩ MIN
 Environment characteristics:
 1.Operating Temperature: -25°C ~ +85°C
 适用线规(Apply to gauge): AWG#22 ~ #28.
 Lead free and ROHS compliant product.

| GENERAL TOLERANCE | | | UNITS mm | NAME(INTENDED USE) | |
|-------------------|-------|-------|-------------|--------------------|----------------|
| SELECT | ✓ | | | | MAT'L |
| TOL. | 1 | 2 | 3 | FINISH | TR250010113200 |
| ON. | X.XXX | ±0.10 | ±0.15 | ±0.20 | APPD: Abel |
| | X.XX | ±0.15 | ±0.20 | ±0.25 | CHKD: Tom |
| | X.X | ±0.20 | ±0.25 | ±0.30 | DR: Ling |
| | X. | ±0.25 | ±0.30 | ±0.50 | |
| | ANGLE | ±2' | | | |

| | | |
|------------------------|--|---|
| PART NO.(INTENDED USE) | | TITLE: Customer Drawing For 2.5 铆线 磷铜镀锡 端子 |
| TR250010113200 | | |
| DWG NO.: | | ATOM-A07026 |

| | | | | | |
|--|--|--|-------|-------|------|
| | | | SCALE | SHEET | REV. |
| | | | 1:1 | 1/1 | A0 |