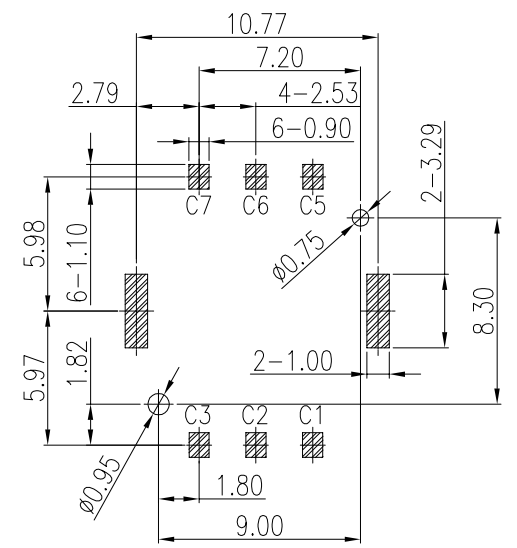
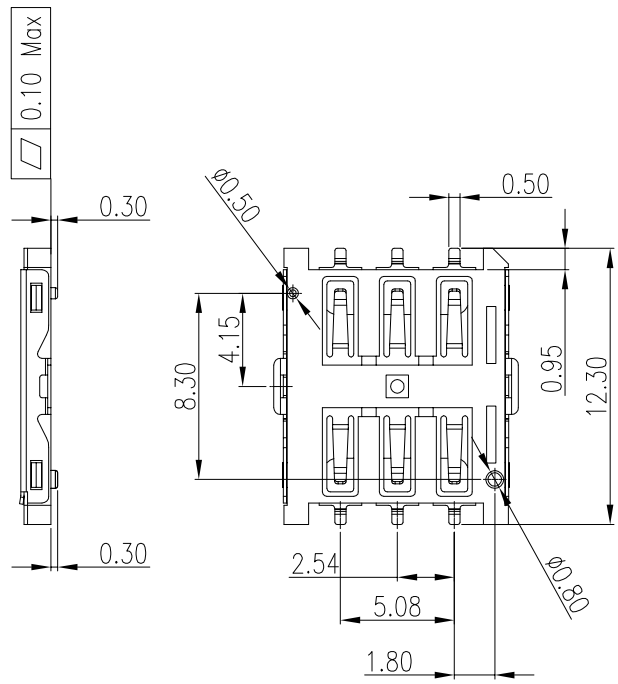
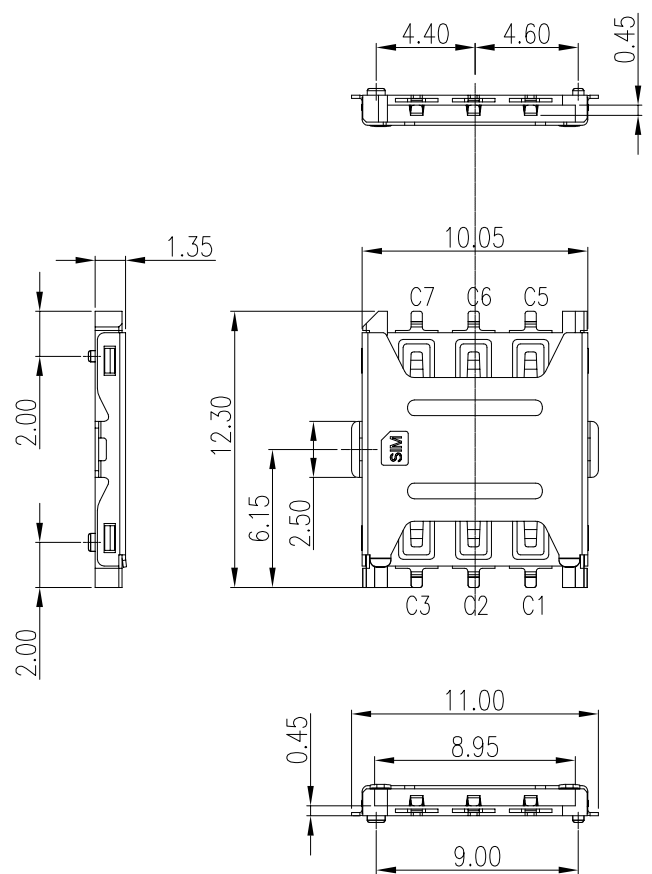
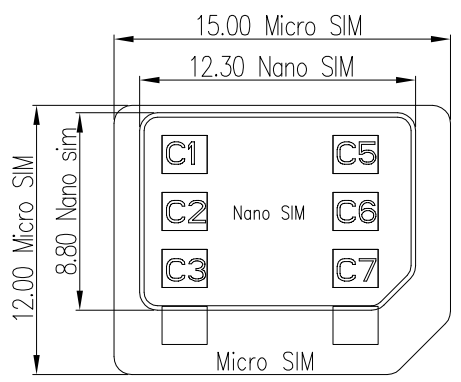


修 订 REV NO	标 记 MARK	修 改 描 要 REVISION DESCRIPTION	签 名 SIGNATURE	日 期 DATE
		NEW DRG		2016-03-12



RECOMMENDED PCB LAYOUT



- NOTES:
- MATERIAL:
 - Insulator: High Temperature Thermoplastic, UL94V-0; Color Black.
 - Terminal: Copper Alloy.
 - Shell: Stainless Steel.
 - PLATING:
 - Contact: Plated 50u'' Ni Overall Contact Au 1u'',
 - Shell: Plated 50u'' Ni Overall, PAD Au 1u''
 - SPECIALITY:
 - Current Rating :0.5mA AC/DC max.
 - Voltage Rating :125V AC/DC
 - Ambient Temperature Range :-20° C~+60° C
 - Storage Temperature Range :-40° C~+70° C
 - Ambient Humidity Range :95% R.H. Max.
 - Contact Resistance:100mΩ max.
 - Insulation Resistance:1000MΩ min./500VDC
 - Mating Cycles:10,000 Insertions
 - Reflow peak temp.: 260° C ±5° C, 3"5 S
 - Mating Cycles:3,000 Insertions Min
4. PLEASE CONTACT LQ SALES REPRESENTATIVE TO VERIFY PRODUCT DETAILS & AVAILABILITY

SIM pin assignment	
PIN#	Name
C1	VCC供电电压
C2	RST重置
C3	CLK时钟
C5	GND接地
C6	VPP程序电压
C7	I/O输入输出



深圳市华德共创科技有限公司
Shenzhen Huade co-create Technology Co.,LTD
电话：0755-27111216 传真：0755-29940187

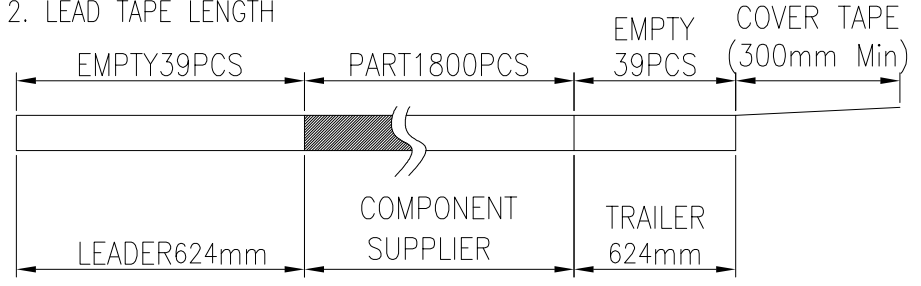
-TOLERANCES- UNLESS OTHERWISE SPECIFIED 公差参数表		 	TITLE: SIM卡座 6Pin 1.35H 产品名称: 有定位柱			
X.X ±0.30	X.X* ±3°	APPD: 核准:	PART NO: 产品编号: K-DYX-004			
X.XX ±0.20	X.XX* ±2°	CHECK: 校对: 王建业	DATE	SCALE	UNIT	CODE NUMBER
X.XXX ±0.10	X.XXX* ±1°	DRAW: 绘图: 黄艳兰	2016-03-12	1:1	mm	A001

A B C D E F

修订 REV NO	标记 MARK	修改摘要 REVISION DESCRIPTION	签名 SIGNATURE	日期 DATE
		NEW DRG		2016-03-12

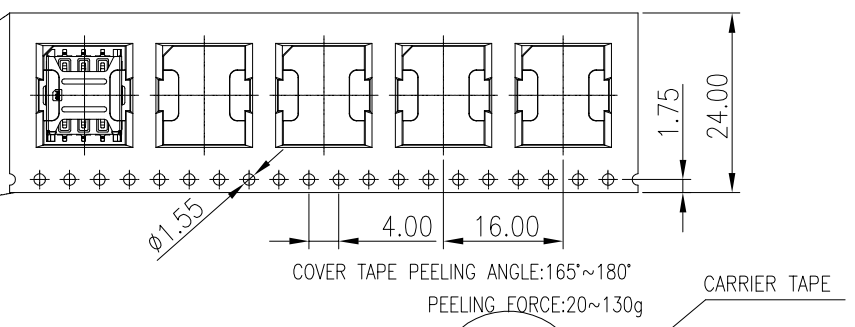
NOTES

1. NUMBER OF CONNECTORS:1800PCS/REEL
2. LEAD TAPE LENGTH



3. QUANTITY:18000PCS/CARTON
4. WEIGHT :
 - 3.1 NET WEIGHT : Kg
 - 3.2 GROSS WEIGHT : Kg

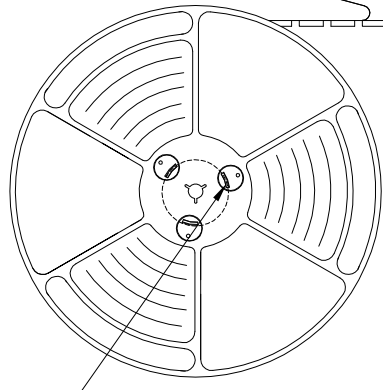
User Direction of Unreeling →



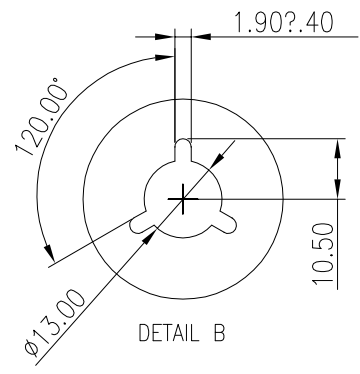
COVER TAPE PEELING ANGLE:165°~180°
PEELING FORCE:20~130g

CARRIER TAPE

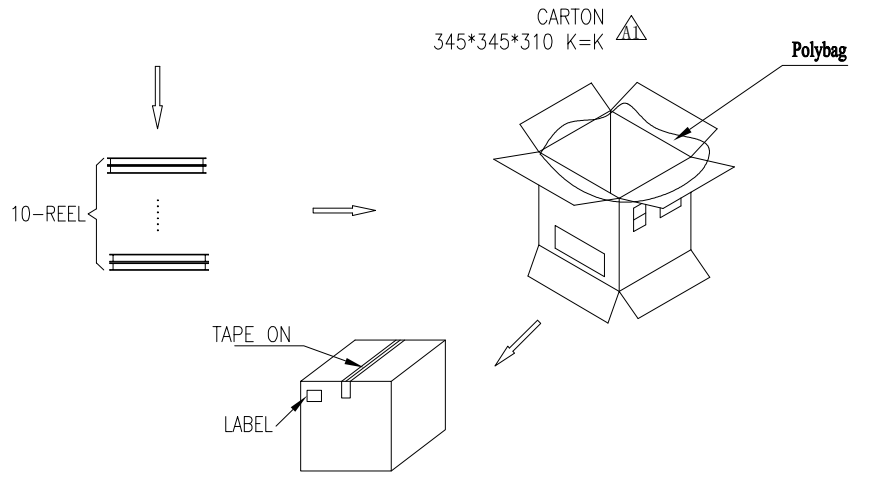
User Direction of Unreeling →



DETAIL B



DETAIL B



深圳市华德共创科技有限公司
Shenzhen Huade co-create Technology Co.,LTD
电话：0755-27111216 传真：0755-29940187

-TOLERANCES- UNLESS OTHERWISE SPECIFIED 公差参数表				TITLE: SIM卡座 6Pin 1.35H 产品名称: 有定位柱				
X.X	±0.30	X.X*	±3°	APPD: 核准:	PART NO: 产品编号: K-DYX-004			
X.XX	±0.20	X.XX*	±2°	CHECK: 校对: 王建业	DATE	SCALE	UNIT	CODE NUMBER
X.XXX	±0.10	X.XXX*	±1°	DRAW: 绘图: 黄艳兰	2016-03-12	1:1	mm	A001

A B C D E F