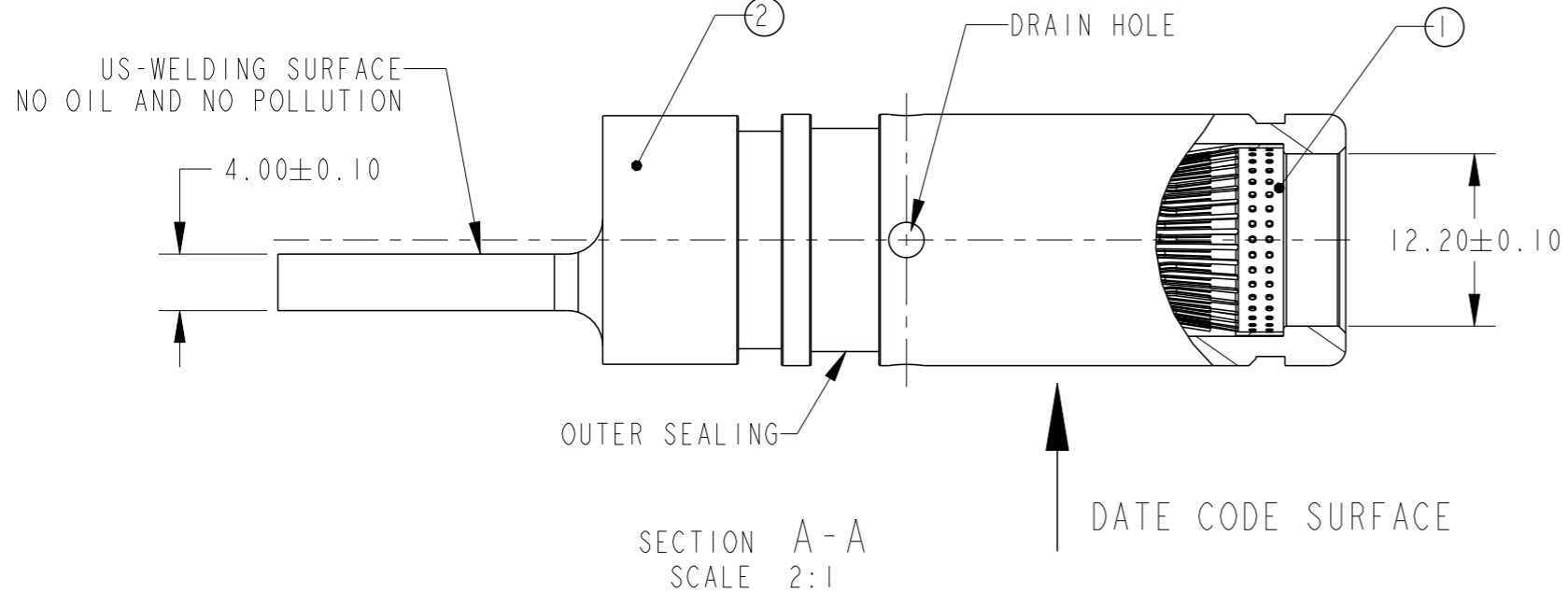
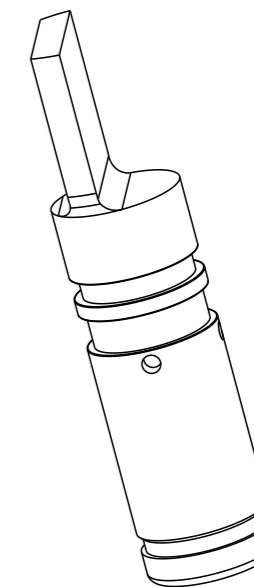
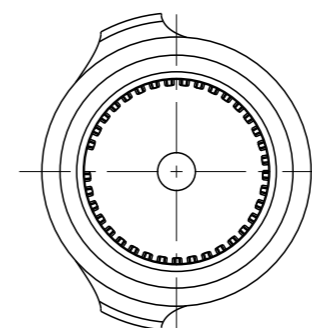
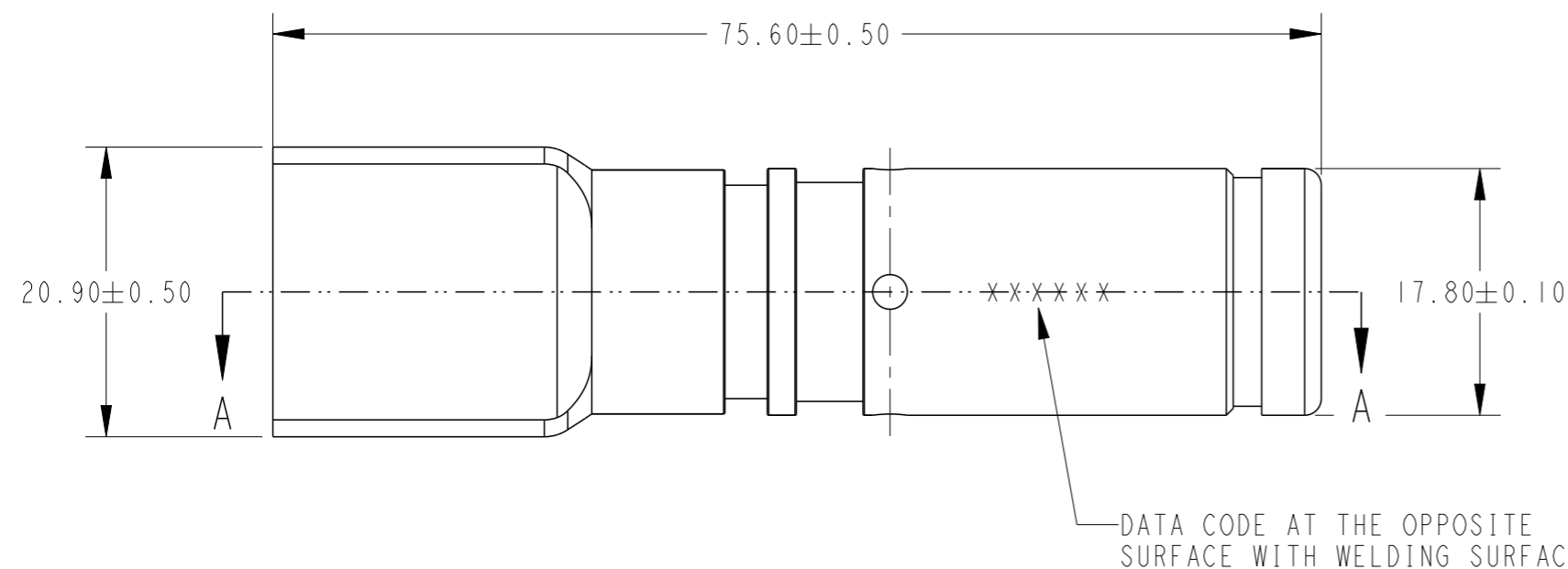


P	LTR	DESCRIPTION	DATE	DWN	APVD
	A	INITIAL RELEASE	26APR2022	S.W	W.Z
	A1	ADD NEW PN	15MAR2024	S.W	W.Z



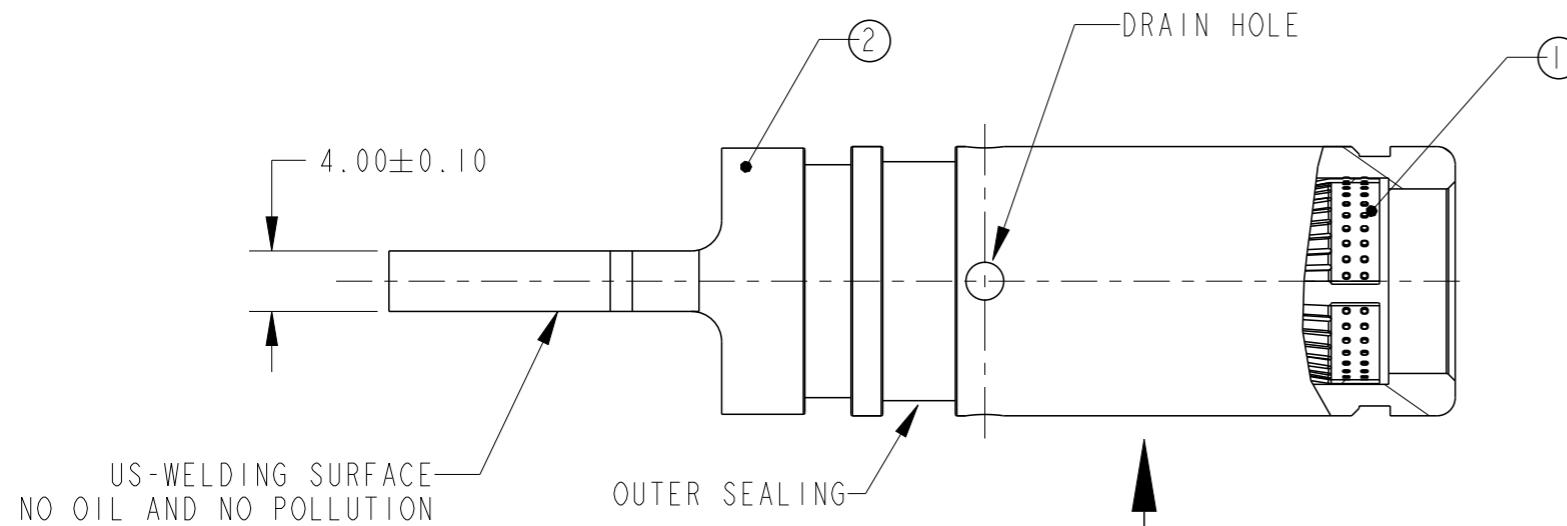
- COMPONENTS INFORMATION SEE TABLE;
- SUITABLE TO  $\varnothing 12+0/-0.05$ mm PIN.
- AG PLATING DISCOLORATION HAS NO IMPACT ON FUNCTION.
- PACKAGING METHOD: TRAY.
- WELDING SURFACE FINISH:  
AG:8um MAX  
NI:6um MAX



ITEM	WIRE SIZE	DESCRIPTION	MATERIAL	FINISH	PART NO.	REV.
2	95mm <sup>2</sup> MAX	OUTSIDE SLEEVE	COPPER ALLOY	SILVER	2397505-1	A
1		SPRING	COPPER ALLOY	SILVER ALLOY		

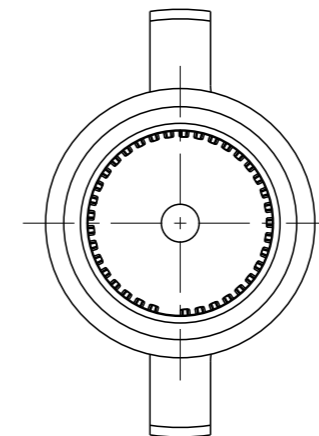
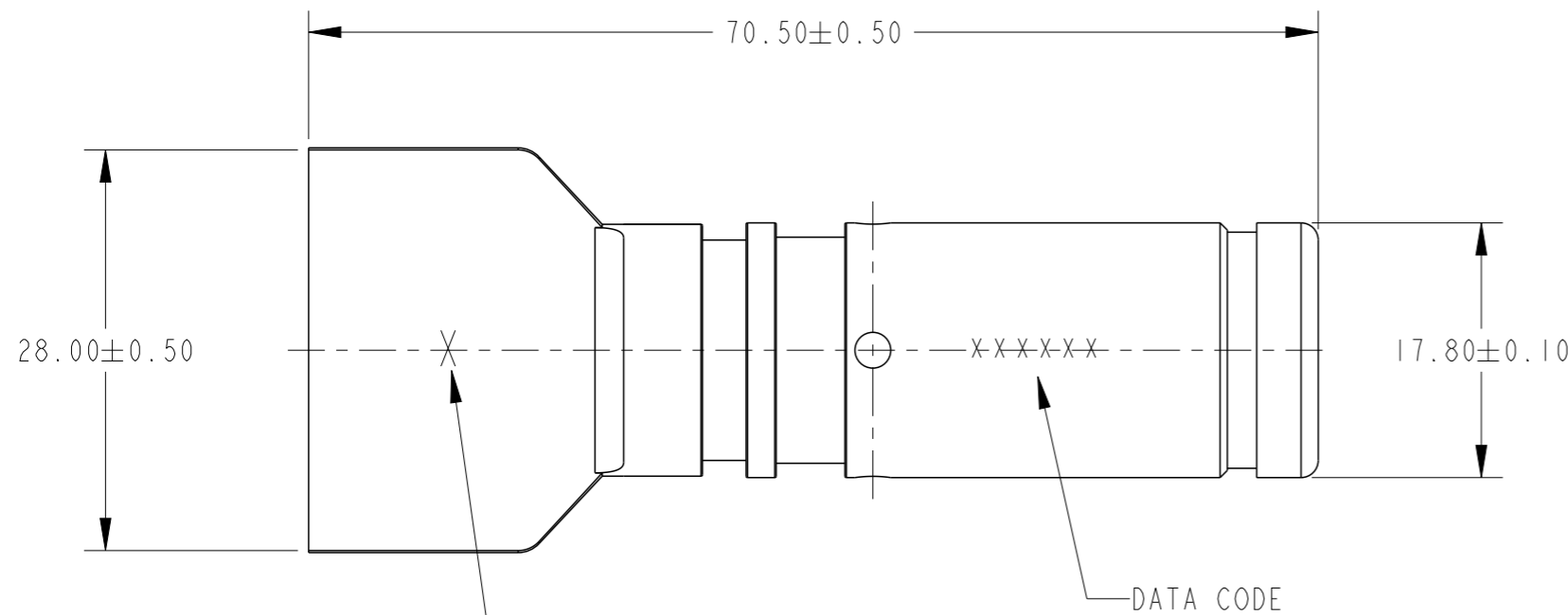
THIS DRAWING IS A CONTROLLED DOCUMENT.		DWN S.WANG 22NOV2021			
DIMENSIONS: mm		CHK G.ZHANG 22NOV2021			
		APVD W.ZHANG 22NOV2021			
TOLERANCES UNLESS OTHERWISE SPECIFIED: ±0.5		PRODUCT SPEC		NAME DC 12MM TERMINAL ASSY	
0 PLC ±- 1 PLC ±0.1 2 PLC ±0.01 3 PLC ±0.001 4 PLC ±0.0001 ANGLES ±-		APPLICATION SPEC		SIZE	
MATERIAL TBD		FINISH SEE TABLE		CAGE CODE 00779	
		WEIGHT 88.7g		DRAWING NO C-C-2397505	
		CUSTOMER DRAWING		RESTRICTED TO -	
		SCALE 1:1		SHEET 1 OF 2	
				REV A1	

P	LTR	DESCRIPTION	DATE	DWN	APVD
		SEE SHEET I			



1. COMPONENTS INFORMATION SEE TABLE;
2. SUITABLE TO  $\varnothing 12+0/-0.05$ mm PIN.
3. AG PLATING DISCOLORATION HAS NO IMPACT ON FUNCTION.
4. PACKAGING METHOD: TRAY.

SECTION B-B  
SCALE 2:1



2	120mm <sup>2</sup> MAX	OUTSIDE SLEEVE	COPPER ALLOY	SILVER	2397505-2	A
1		SPRING	COPPER ALLOY	SILVER ALLOY		
ITEM	WIRE SIZE	DESCRIPTION	MATERIAL	FINISH	PART NO.	REV.

THIS DRAWING IS A CONTROLLED DOCUMENT.

DWN	S. WANG	22NOV2021				
CHK	G. ZHANG	22NOV2021				
APVD	W. ZHANG	22NOV2021				
PRODUCT SPEC						
APPLICATION SPEC			NAME DC 12MM TERMINAL ASSY			
114-160218			SIZE	CAGE CODE	DRAWING NO	RESTRICTED TO
WEIGHT 88.7g			A3	00779	C=C-2397505	-
CUSTOMER DRAWING			SCALE	SHEET	REV	
			1:1	2 OF 2	A1	

DIMENSIONS:		TOLERANCES UNLESS OTHERWISE SPECIFIED:	
mm		±0.5	
	0 PLC	±	
	1 PLC	±0.1	
	2 PLC	±0.01	
	3 PLC	±0.001	
	4 PLC	±0.0001	
	ANGLES	±	
MATERIAL	FINISH		
TBD	SEE TABLE		