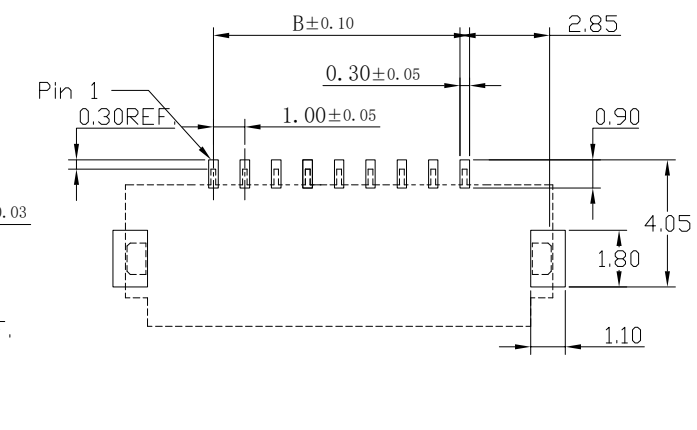
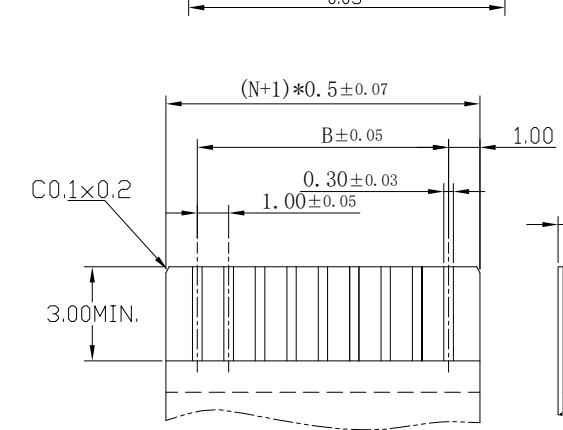
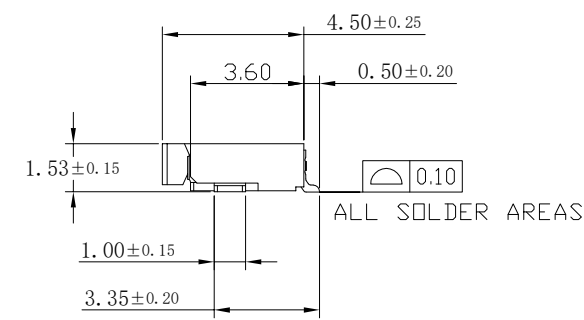
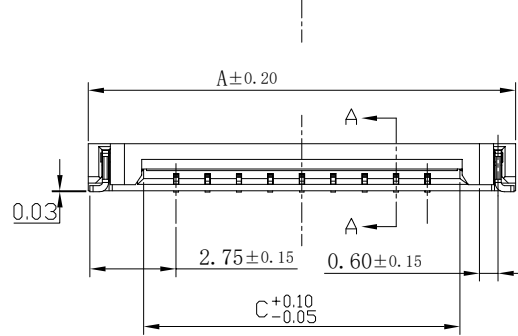
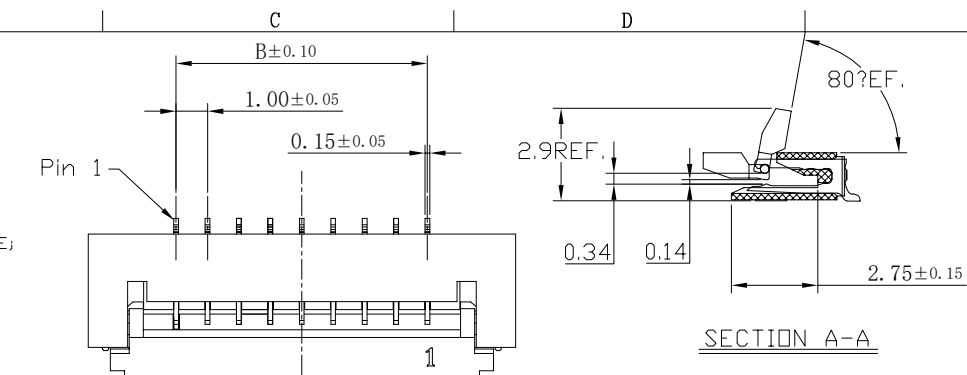


修改		标记	修改摘要	签名	日期
REV	NO		REVISION DESCRIPTION	SIGNATURE	DATE
			NEW DRG		2016-03-12



APPLICABLE FFC
TOLERANCE: ±0.05

RECOMMEND PCB LAYOUT
TOLERANCE: ±0.05

NOTES:
1. MATERIAL:
HOUSING: HIGHT-TEMP PLASTIC,UL 94-V0,COLOR:NATURE;
COVER: HIGHT-TEMP PLASTIC,UL 94-V0,COLOR:BLACK;
CONTACT: COPPER ALLOY;
LEG: Brass;
2. PLATING:
CONTACT: GOLD OR TIN PLATED ON NICKEL OVERALL.
LEG: TIN PLATED ON NICKEL OVERALL.
3. RATING:
CURRENT RATING: 0.5A AC/DC
VOLTAGE RATING: 25V AC/DC
TEMPERATURE RANGE: -25?~+85?;

PIN NO.	DIM.A	DIM.B	DIM.C
4	8.60	3.00	5.07
5	9.60	4.00	6.07
6	10.60	5.00	7.07
7	11.60	6.00	8.07
8	12.60	7.00	9.07
9	13.60	8.00	10.07
10	14.60	9.00	11.07
12	16.60	11.00	13.07
14	18.60	13.00	15.07
16	20.60	15.00	17.07
17	21.60	16.00	18.07
18	22.60	17.00	19.07
20	24.60	19.00	21.07
22	26.60	21.00	23.07
26	30.60	25.00	27.07
26	31.60	26.00	28.07
28	32.60	27.00	29.07
30	34.60	29.00	31.07
34	38.60	33.00	35.07

深圳市华德共创科技有限公司
Shenzhen Huade co-create Technology Co.,LTD
电话: 0755-27111216 传真: 0755-29940187

-TOLERANCES- UNLESS OTHERWISE SPECIFIED 公差参数表		TITLE: 产品名称: FPC 1.0间距1.5高掀盖式	
X.X ±0.30	X.X° ±3°	APPD: 核准:	PART NO: 产品编号: 1.0K-1.5-nPWB
X.XX ±0.20	X.XX° ±2°	CHECK: 校对: 王建业	DATE SCALE UNIT CODE NUMBER
X.XXX ±0.10	X.XXX° ±1°	DRAW: 绘图: 黄艳兰	2016-03-12 1:1 mm A001