

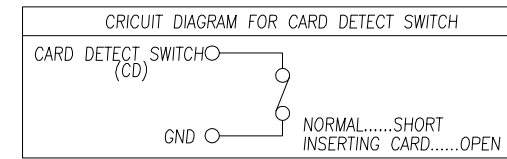
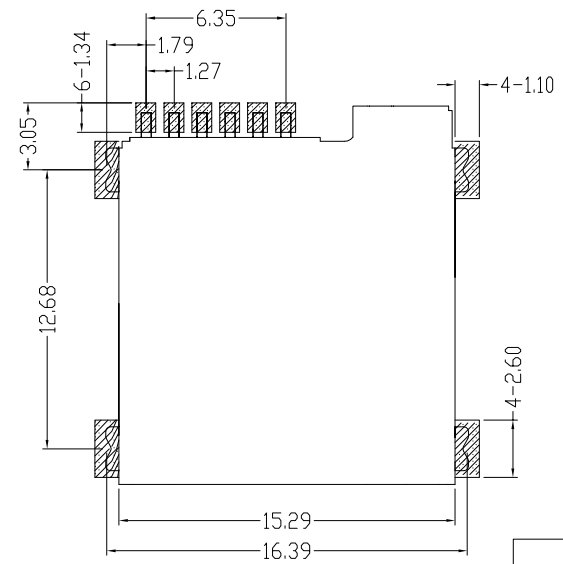
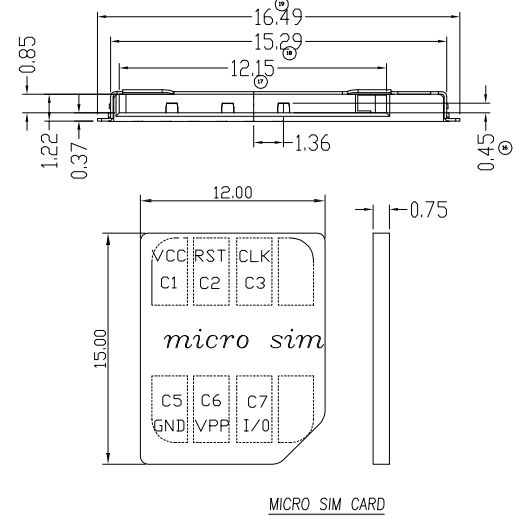
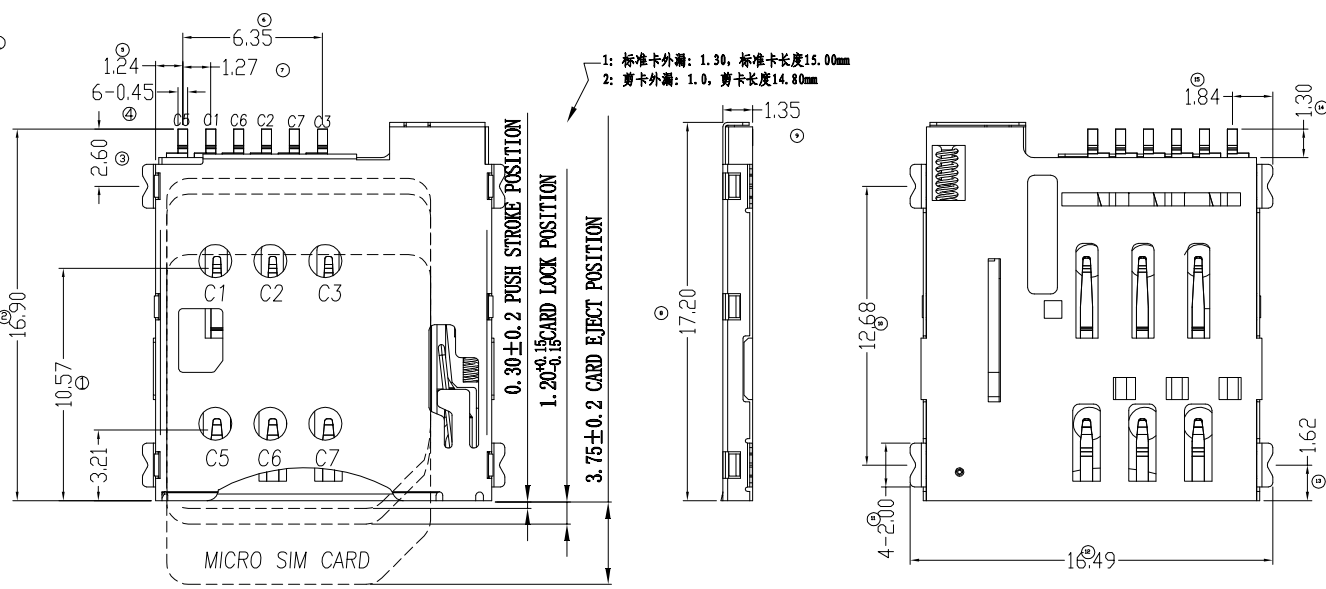
修 订 REV NO	标 记 MARK	修 改 描 要 REVISION DESCRIPTION	签 名 SIGNATURE	日 期 DATE
		NEW DWG		2016-03-12

### Specification

**MATERIAL:**  
 Insulator: High Temperature Thermoplastic, UL 94V-0.  
 Contact: Copper Alloy  
 SHELL: SUS

**PLATING:**  
 Contact: Plated 50u'' Ni Overall Contact Au 1U  
 Shell: Plated 50u'' Ni Overall  
 Plated 1u''Au Selective Contact Area

**Electrical:**  
 Current Rating :0.5mA AC/DC max.  
 Voltage Rating :125V AC/DC  
 Ambient Temperature Range :-20° C'+60° C  
 Storage Temperature Range :-40° C'+70° C  
 Ambient Humidity Range :95% R.H. Max.  
 Contact Resistance:100m Ω max.  
 Insulation Resistance:100MΩ min./500VDC  
 产品耐温温度: 260° C C.S.L.T.D. C.S.L.T.D.+6 C  
 Mating Cycles:3000Min Insertions



SIM pin assignment	
PIN#	Name
C1	VCC供电电压
C2	RST重置
C3	CLK时钟
C5	GND接地
C6	VPP程序电压
C7	I/O输入输出



深圳市华德共创科技有限公司  
 Shenzhen Huade co-create Technology Co.,LTD  
 电话: 0755-27111216 传真: 0755-29940187

-TOLERANCES- UNLESS OTHERWISE SPECIFIED 公差参数表		TITLE: 产品名称: MICRO SIM卡座PUSH 1.35H 6P	
X.X ±0.30	X.X* ±3°	APPD: 核准:	PART NO: 产品编号: K-DYX-008
X.XX ±0.20	X.XX* ±2°	CHECK: 校对: 王建业	DATE
X.XXX ±0.10	X.XXX* ±1°	DRAW: 绘图: 黄艳兰	SCALE
			UNIT
			CODE NUMBER
			2016-03-12
			1:1
			mm
			A001