

Features

- For surface mounted applications
- Low profile package
- Ideal for automated placement
- Reverse Voltage - 2000 V
- Forward Current - 1 A

Applications

- power supply
- LED driver
- Battery protector
- adapter
- Voltage protector



Absolute Maximum Ratings and Electrical characteristics

Ratings at ambient temperature unless otherwise specified. Single phase, half wave, 60Hz resistive or inductive load, for capacitive load, derate by 20 %

Parameter	Symbols	Value	Units
Maximum Repetitive Peak Reverse Voltage	V _{RRM}	2000	V
Maximum RMS voltage	V _{RMS}	1400	V
Maximum DC Blocking Voltage	V _{DC}	2000	V
Maximum Average Forward Rectified Current	I _{F(AV)}	1.0	A
Peak Forward Surge Current, 8.3ms Single Half Sine-wave Superimposed on Rated Load	I _{FSM}	30	A
Max Instantaneous Forward Voltage at 1 A	V _F	1.1	V
Maximum DC Reverse Current at Rated DC Reverse Voltage	I _R	T _a = 25°C	5.0
		T = 125°C	50
Typical Junction Capacitance (1)	C _j	20	PF
Typical Thermal Resistance (2)	R _{θJA}	85	°C/W
Operating Junction Temperature Range	T _j	-55 ~ +150	°C
Storage Temperature Range	T _{stg}	-55 ~ +150	°C

(1). Measured at 1 MHz and applied reverse voltage of 4 V D.C

(2). P.C.B. mounted with 2.0" X 2.0" (5 X 5 cm) copper pad areas.

Typical Electrical Characteristic Curves

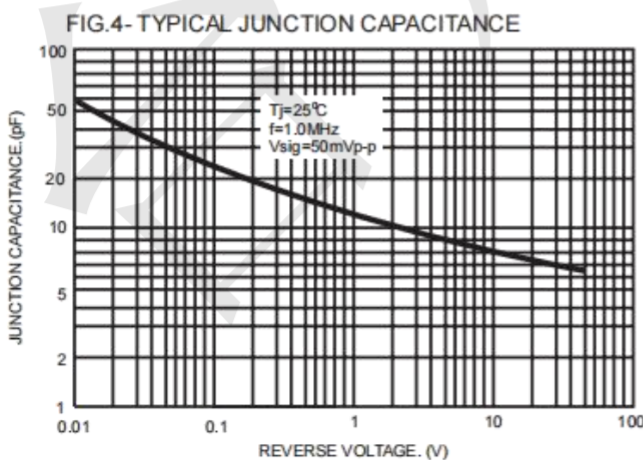
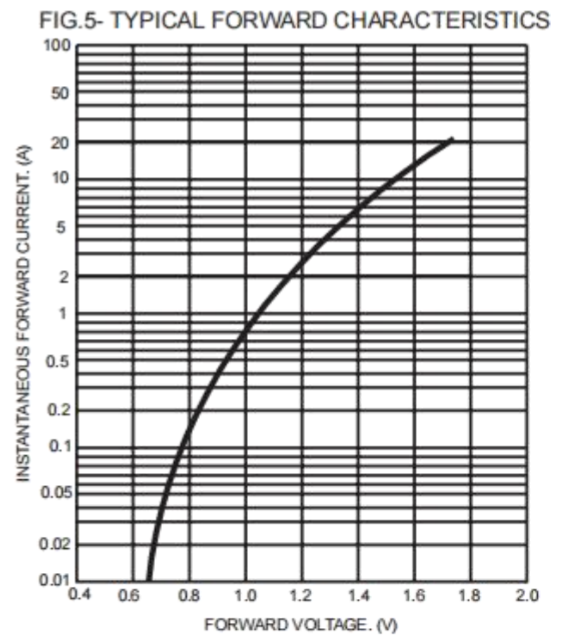
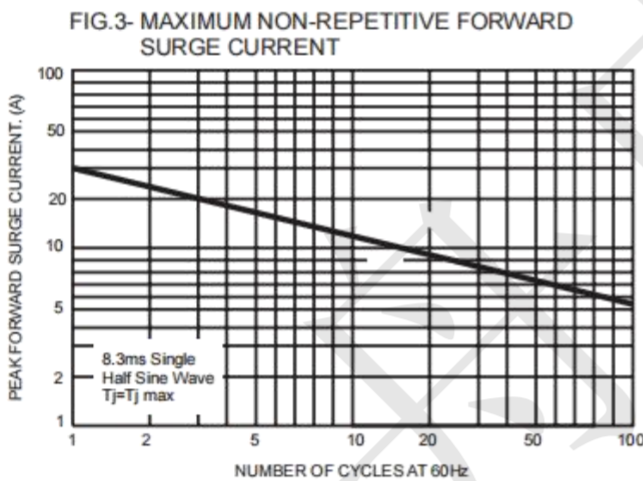
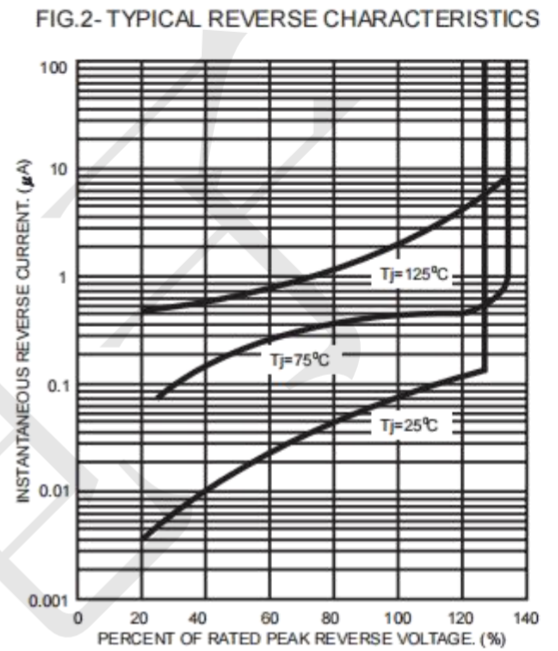
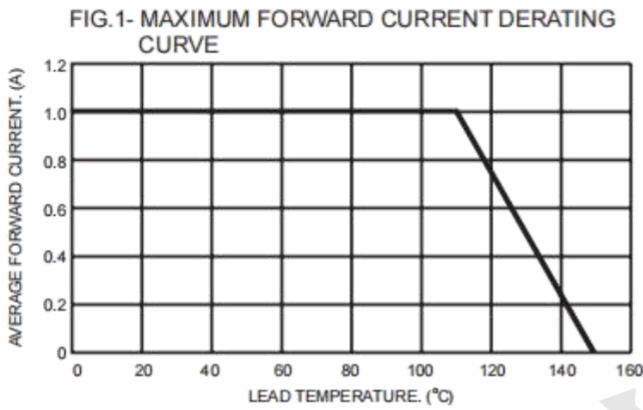
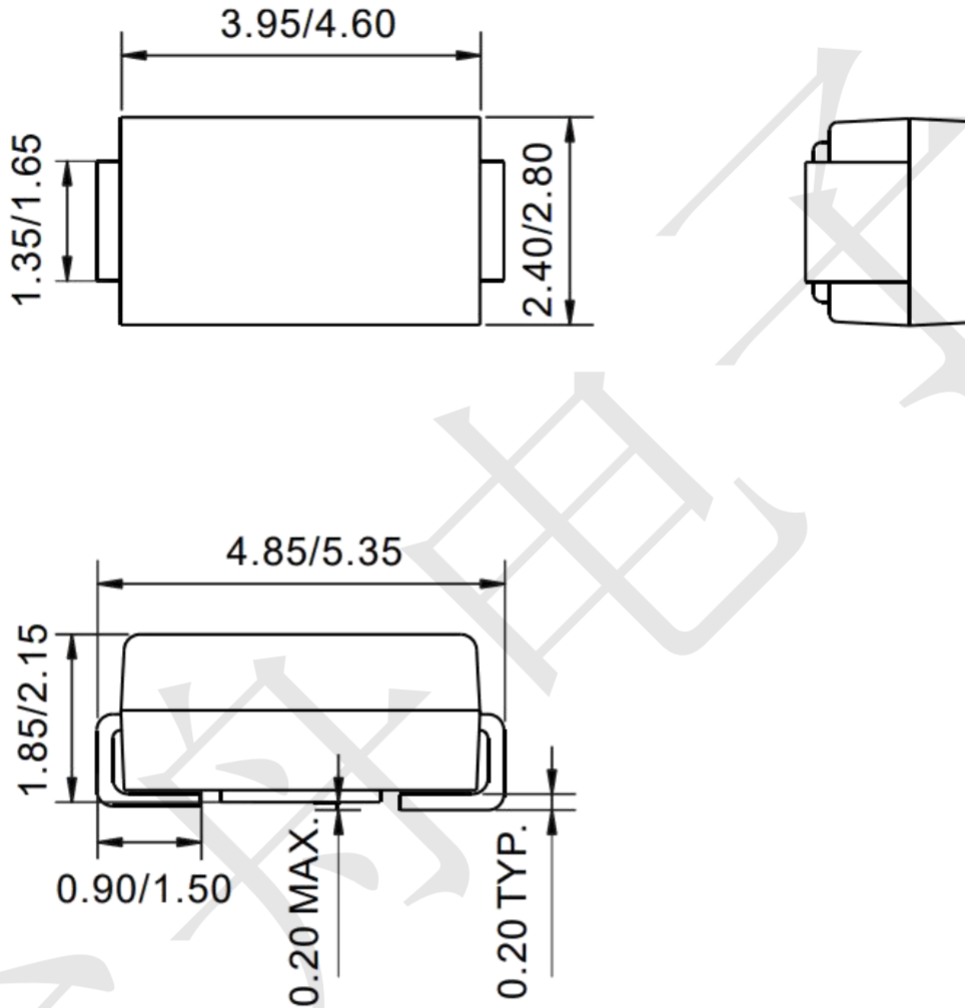


FIG.6- REVERSE RECOVERY TIME CHARACTERISTIC AND TEST CIRCUIT DIAGRAM

Package Outline Dimensions (unit: mm)

SMA



Mounting Pad Layout (unit: mm)

