

# STANDARD SPECIFICATION

## 产品规格书

客户 Customer: \_\_\_\_\_

客户料号 Customer P/N NO.: \_\_\_\_\_

产品描述 Product Description: TCXO-2016 30.000MHZ 1.8V~3.3V ±0.5PPM  
H X - C 料号 P/N. NO.: 1T030000VX

### 客户批准 Customer Approval :

审 核	批 准
Checked	APPROVED

(请批准后回签一份 PLEASE RETURN A COPY WITH APPROVAL)

拟 制 DESIGNER	审 核 CHECK	批 准 APPROVED
万力阳	蔡勤	柯建平

地址: 深圳市龙华区龙胜路融创智汇大厦C座1401-1402室

Office add: Room 1401-1402, Building C, Rongchuang, Longhua District, shenzhen

TEL: 0755-21044642





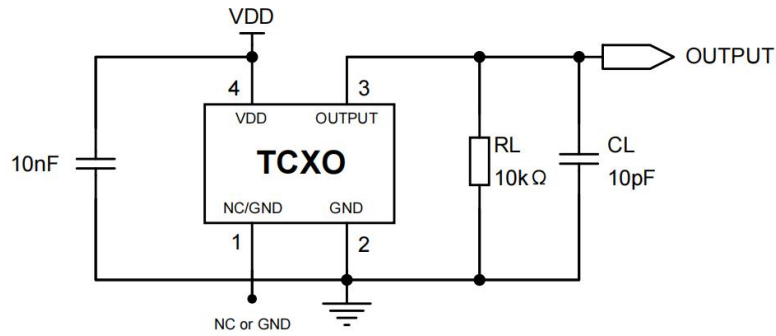


## 1. 石英晶体参数规格 QUARTZ CRYSTAL UNIT SPECIFICATION

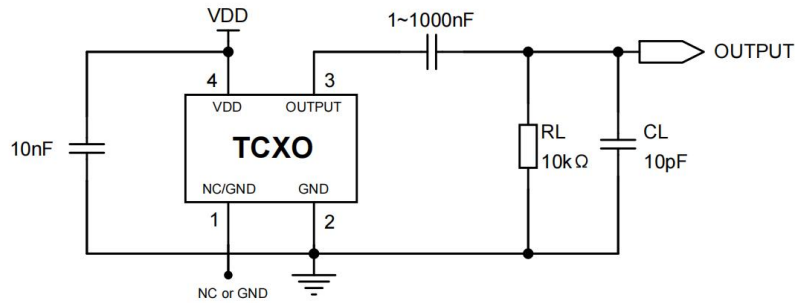
描述 Description : TCXO  
 产品型别 Product Type : 1T  
 测量设备 Measure equipment : S&A 280B  
 电气特性 Electrical Characteristics

NO.	项目 Item	符号 Symbol	电气特性规格 Electrical Specification				备注 Notes
			下限 Min.	中心 Typ.	上限 Max.	单位 Units	
1	标准频率 Nominal Frequency	FL	30.000			MHZ	
2	输出方式 Output mode	-	Clipped Sinewave			-	
3	频率偏差 Frequency Tolerance	FT	-0.5	-	+0.5	ppm	After 2 times reflow
4	负载变化 Load Variation	FL	-	-	±0.2	ppm	Load_R//C=(10kΩ//10pF)±10%
6	温度频率稳定性 Temperature frequency	TC	-1.5	-	+1.5	ppm	TA = -40℃ ~ 85℃, VCC=3.3
6	工作温度 Operating Temperature		-40	-	85	℃	
7	储存温度范围 Storage Temperature	T_stg	-40	-	125	℃	
8	老化率 Aging rate	F_age		±2		ppm	First year
9	供电电压 For the pressure	Vdd	1.8~3.3±5%			V	±0.3ppm(max.)
10	电流 current	Icc			1.5	mA	
11	启动时间 Start-up time	To's'c			3	ms	More then 90%of final amplitude
12	输出电平 Output Level	-	0.8	-	-	Vp-p	Clipped sine wave(DC-coupled)
13	占空比 Duty ratio	TH/T	40	-	60	%	
相位噪声 Phase noise	-50dBc/Hz 1Hz offset	-80dBc/Hz 10Hz offset	-106dBc/Hz 100Hz offset	-134dBc/Hz 1KHz offset	-144dBc/Hz 10KHz offset	-152dBc/Hz 100KHz offset	

## 2. 电路测试 CILCUIT TEST



DC Coupled Application



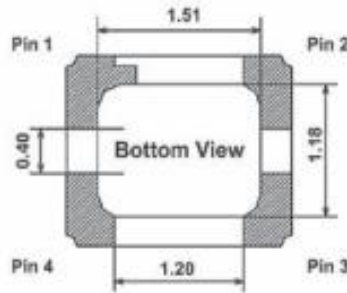
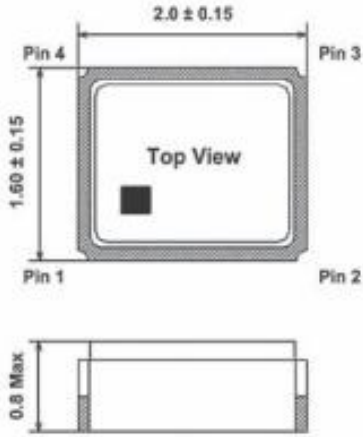
AC Coupled Application

## 3. 包装数量 NUMBER OF PACKAGES

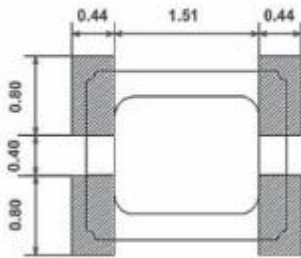
类型 TYPE	尺寸 SIZE	数量 NUMBER
包装盒 Packaging	180*20*180	3000pcs
包装箱 Packing cases	240*200*200	30000pcs

#### 4. 外形尺寸 BOUNDARY DIMENSION

(单位: mm)

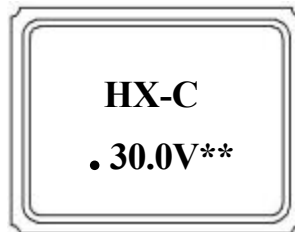


Recommended Land Pattern



Pin 1	AFC or GND
Pin 2	GND
Pin 3	OUTPUT
Pin 4	VDD

#### 5. 印字



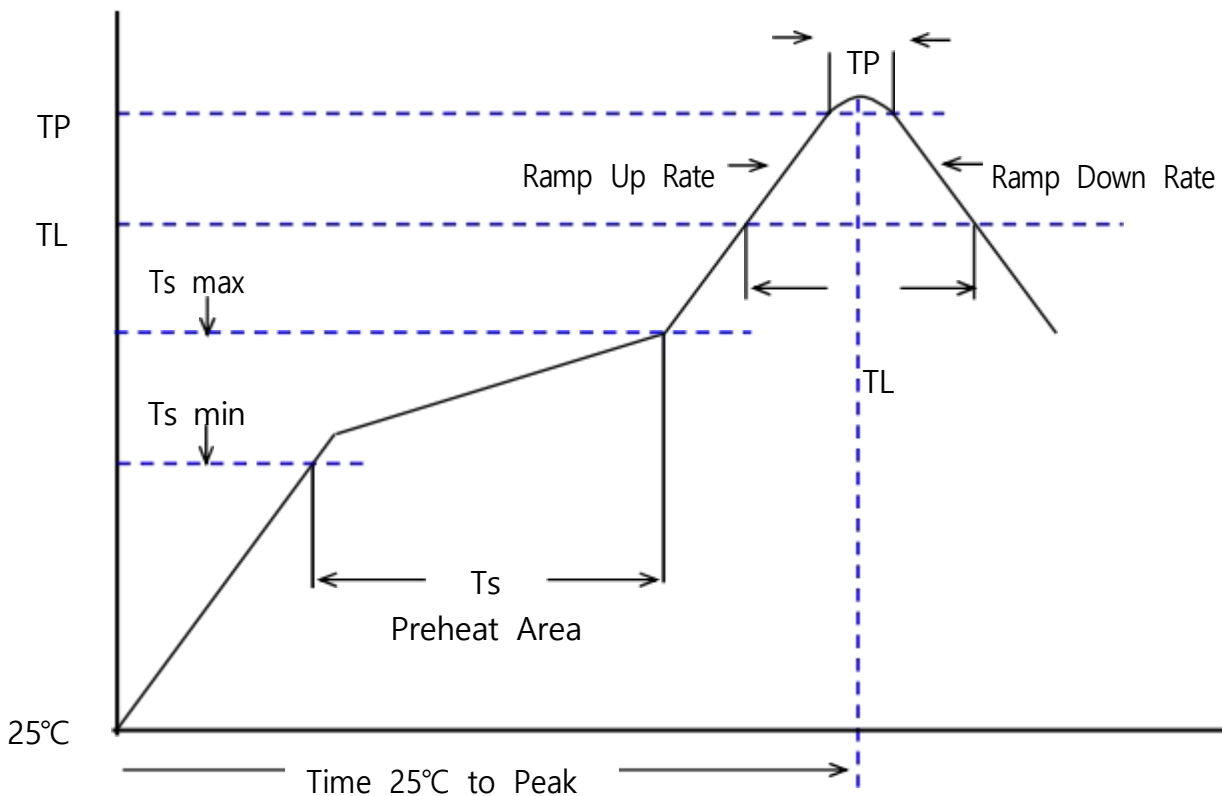
HX-C ----- LOGO  
 30.0 ----- 频率  
 V ----- 电压  
 \* ----- 周期  
 . ----- Pin1



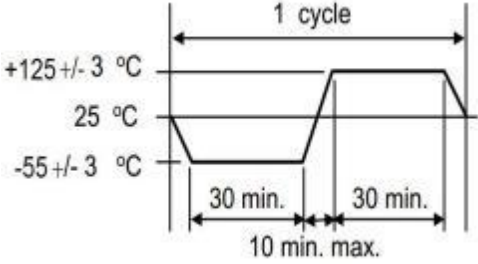
## 7. 回流焊温度曲线 REFLOW PROFILES

参考标准 REFER: JEDEC J-STD-020D

Profiles Feature	Pb-Free Assembly
Preheat/Soak Temperature Min (Ts min) Temperature Max (Ts max) Time (Ts) from (Ts min to Ts max)	150°C 200°C 60-120 seconds
Ramp-up rate (TL to TP)	3°C/second max.
Liquidous temperature (TL) Time (TL) maintained above TL	217°C 60-150 seconds
Peak/Classification Temperature (TP)	260±5°C
Time within 5°C of actual Peak Temperature (TP)	20~40 seconds
Ramp-down rate (TP to TL)	6°C/second max.
Time 25 °C to peak temperature	8 minutes max.
Suggest reflow times	3 Times max



## 8. 可靠性试验 RELIABILITY SPECIFICATION

参考标准REFER		JIS C 6701	
NO.	项目 ITEM	测试条件 CONDITIONS	判定标准 Criteria
1	跌落 FREE FALL	从150cm位置高度,自由跌落在木板上,连续3次. FREE DROPPING FROM 150 cm HEIGHT 3 TIMES ON A HARD	电器性能 满足规格要求  THE ELECTRICAL PERFORMAN CE MEET THESPECIFIC ATONN
2	振动 VIBRATION	振动频率: 10~2000 Hz, 振幅: 1.52mm, 时间: 每个方位三面 (X、Y、Z) 各振动2小时 FREQUENCY: 10.2000Hz;AMPLITUDE (TOTAL EXCURSION): 1.5mm SWEEP TIME: 2-3MIN, 3 DIRECTION(X, Y, Z) EACH FOR 2 Hrs.	
3	温度循环 TEMPERATURE CYCLE	晶体放入试验箱中, 高、低温循环10次 THE CRYSTAL UNIT SHALL BE SUBJECTED TO 10 SUCCESSIVE CHANGE OF TEMPERATURE CYCLE  	
4	冲击 IMOACT	半正弦波冲击(1000G): 持续时间: 0.5ms, X,Y,Z三 轴各三次时间: 2 小时 HELIUM BOMBING: 3 TIME	
5	可焊性 SOLDERABILI TY	温度: 245±5°C, 浸锡时间: 3±0.5 秒 THE LEAD IS IMMERSED IN A 245±5°C SOLDER BATH WITHIN 3±0.5 SECONDS.	
6	稳态湿热 HIGH TEMP. & HUMIDITY	温度: 85 ±3°C, 湿度: 85 %, 保持时间: 500个小时 STORED AT 85 ±3°C AND HUMIDITY 85 % FOR 500±12H.	
7	高温存储 HIGH TEMPERATURE STORAGE	高温温度: 125±2°C, 时间: 500±12 个小时 STORED AT 125±2°C FOR 500±12H. 如果客户的温度要求是高于标准,则必须根据客户的要求测试 If Customer's temperature request is higher than the standard,Temperature test must be done for customer requirements	
8	低温存储 LOW TEMPERATURE STORAGE	低温温度: -40±2°C, 时间: 500±12 个小时 STORED AT -40±2°C FOR 500±12H. 如果客户的温度要求是低于标准,则必须根据客户的要求测试 If Customer's temperature request is lower than the standard,Temperature test must be done for customer requirements	