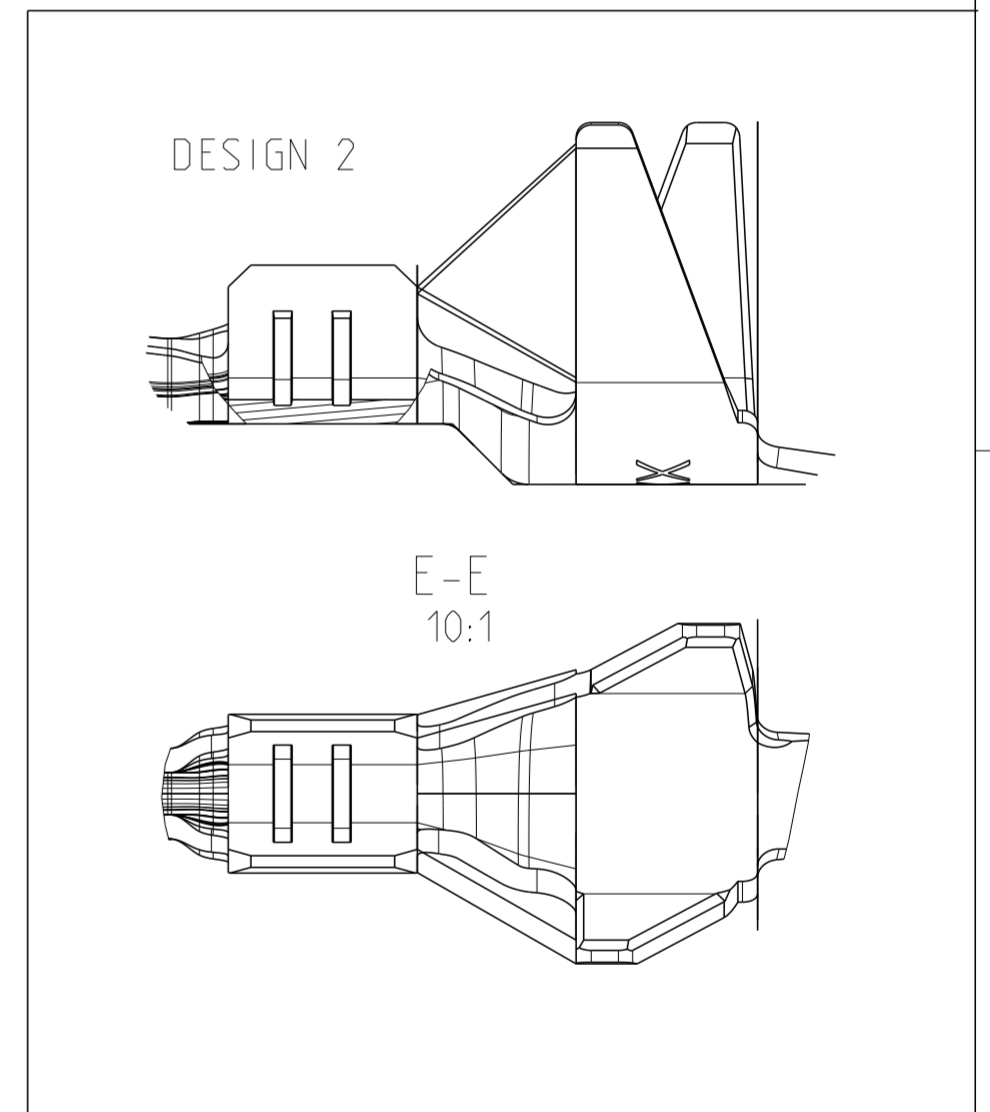
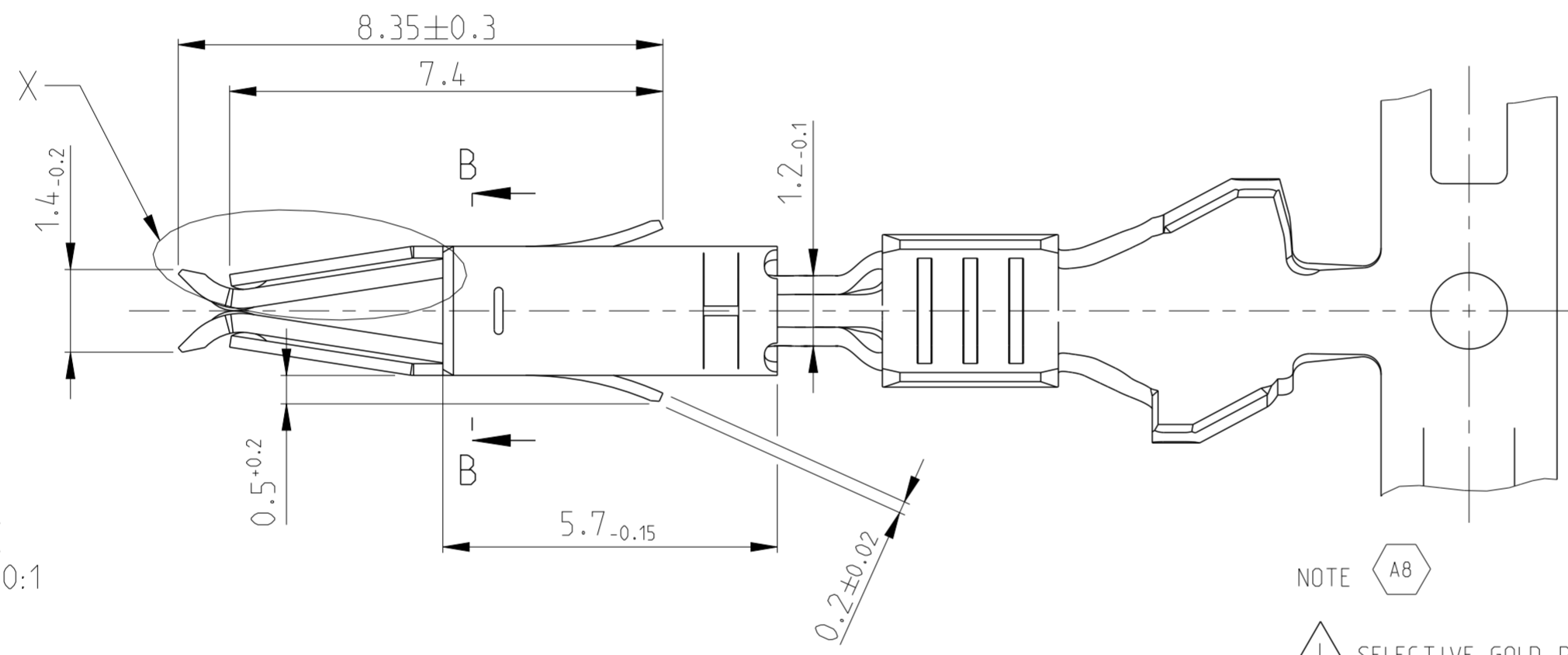
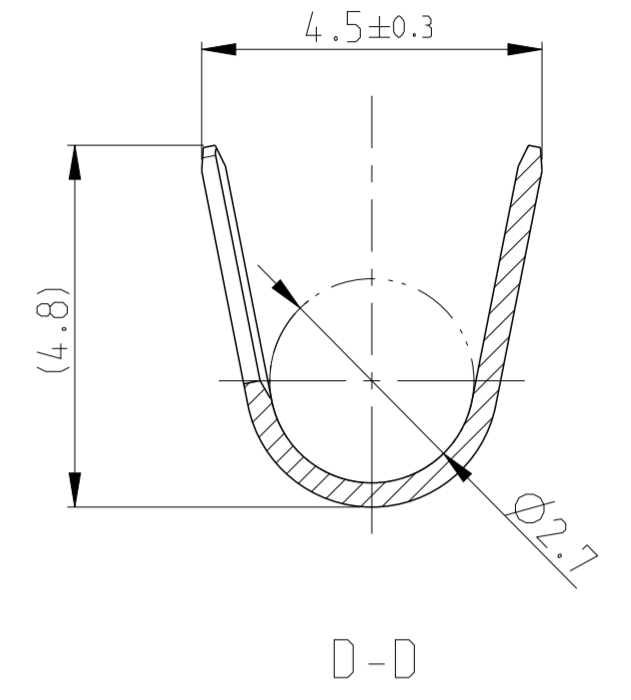
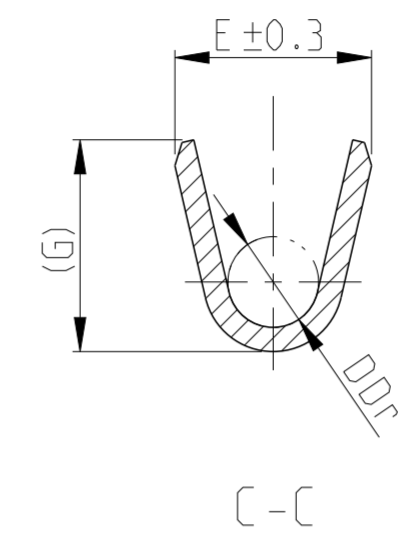
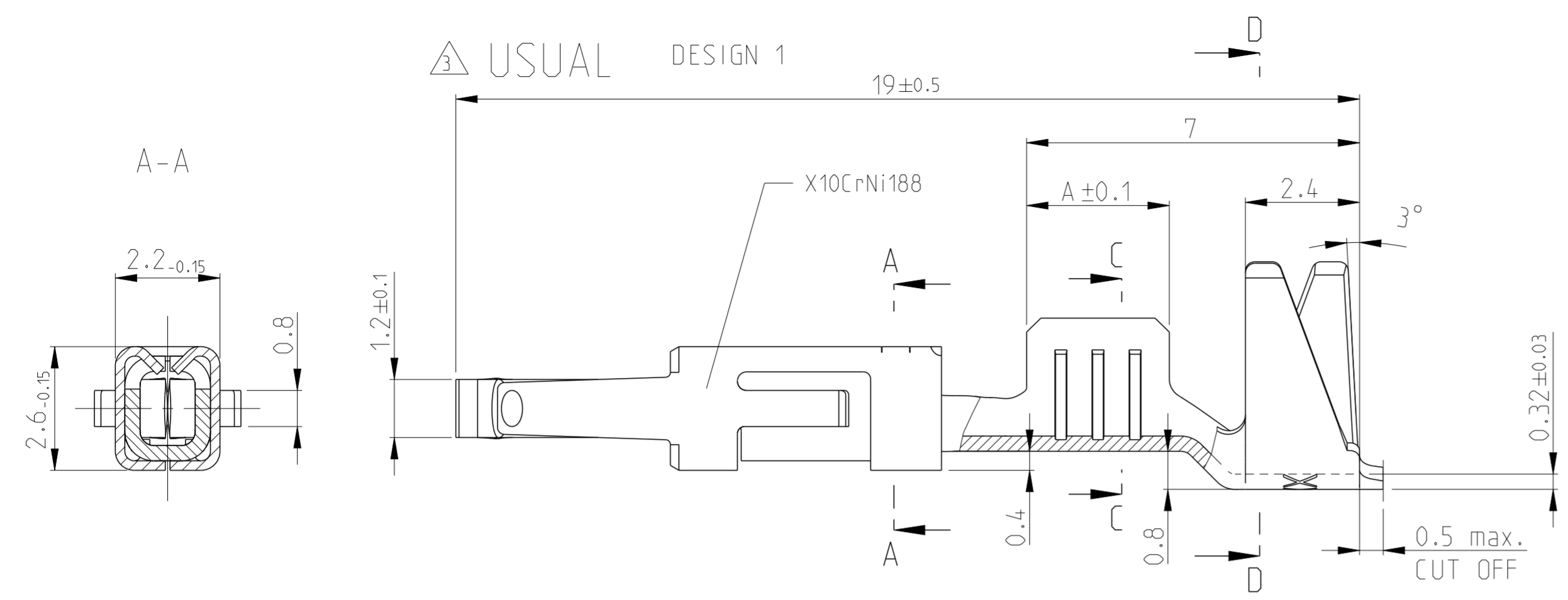


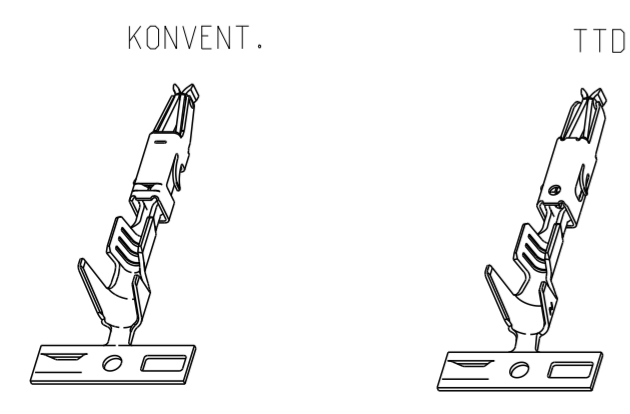
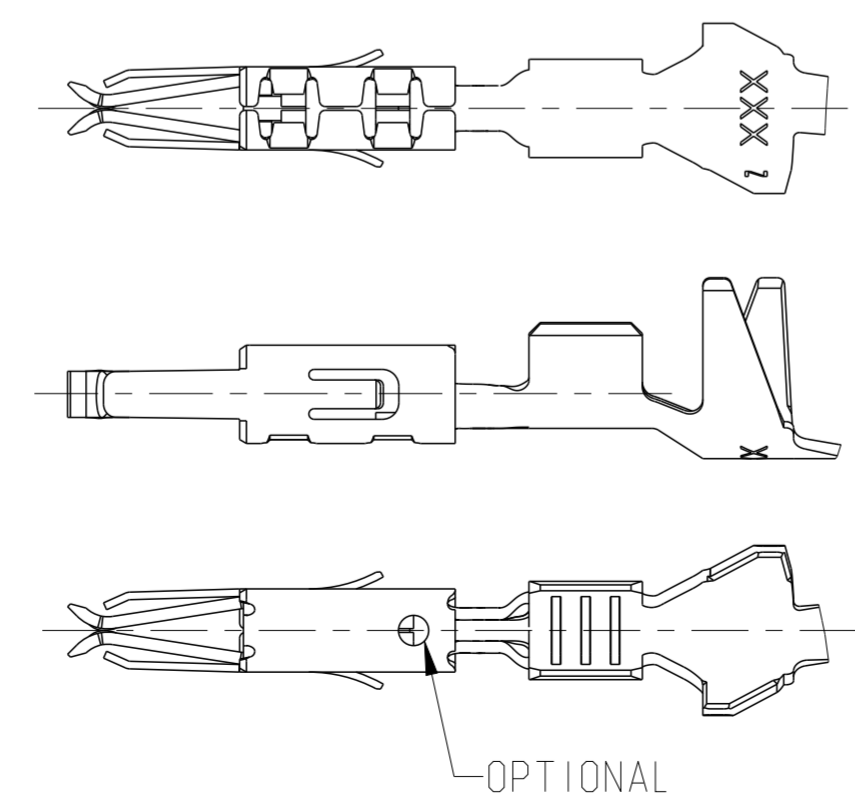
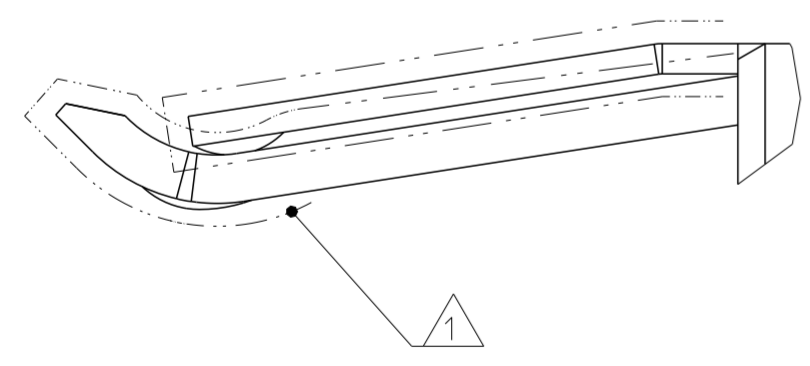
| REVISIONS |     |               |             |     |      |
|-----------|-----|---------------|-------------|-----|------|
| P         | LTR | DESCRIPTION   | DATE        | DWN | APVD |
| A6        |     | REVISE        | 01NOV2023   | J.L | W.Z  |
| A7        |     | REVISE        | 14NOV2023   | J.L | W.Z  |
| A8        |     | ECR-24-211381 | 04 JUL 2024 | SDT | W.Z  |
| A9        |     | ECN-25-305677 | 11FEB2025   | C.L | W.Z  |

3 USUAL DESIGN 1



- NOTE A8
- 1 SELECTIVE GOLD PLATED MIN. 0.8 µm OVER NI
  - 2 TIN PLATED MIN. 0.2 µm OVER NI

4 TWO TRACK DIE M 5:1



|     |                          |        |         |         |          |                               |           |
|-----|--------------------------|--------|---------|---------|----------|-------------------------------|-----------|
| 2.5 | E=2.1<br>G=2.1<br>Dr=0.8 | 2      | 4 3     | PRETIN  | CuSn4    | 0.2-0.5                       | 2435084-1 |
| 3   | E=2.6<br>G=2.8<br>Dr=1.2 | 1      | 4 3     | 1 2     | CuFe2    | 0.5-1.0                       | 2435083-5 |
|     |                          |        | 4 3     | 1 2     | CuSn4    |                               | 2435083-3 |
|     |                          |        | 4 3     | PRETIN  | CuSn4    |                               | 2435083-1 |
| A   | WIRE CRIMP               | DESIGN | VERSION | SURFACE | MATERIAL | WIRE RANGE (mm <sup>2</sup> ) | PN        |

THIS DRAWING IS A CONTROLLED DOCUMENT.

DWN J.ZHANG 23NOV2022  
CHK J.GU 23NOV2022  
APVD W.ZHANG 23NOV2022

STE TE Connectivity

NAME MICRO TIMER 2 CONTACT WITH DOUBLE LOCKING LANCE  
PRODUCT GROUP DRAWING

PRODUCT SPEC 108-18055  
APPLICATION SPEC 114-18081

SIZE A2 CAGE CODE 00779 DRAWING NO. C-2435083 RESTRICTED TO -  
WEIGHT - SCALE 4:1 SHEET 1 OF 1 REV A9

Customer Drawing