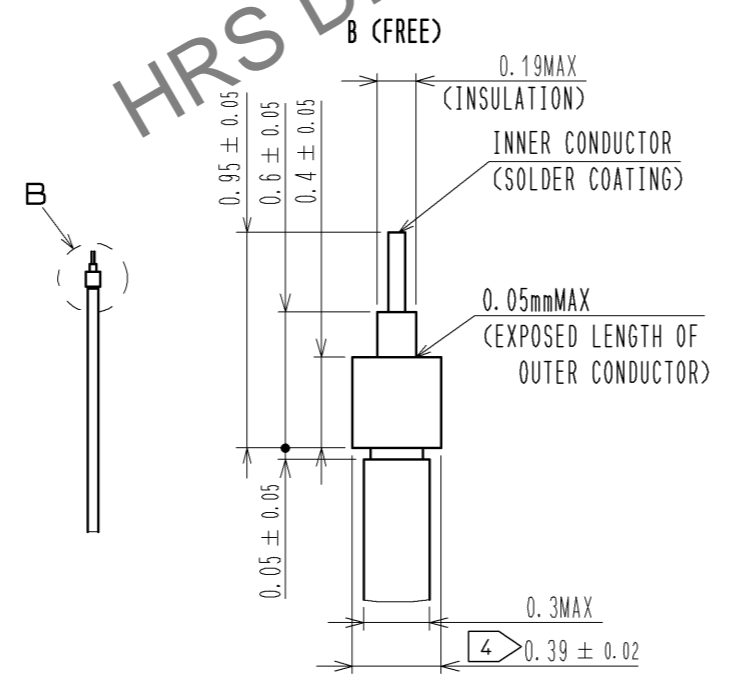
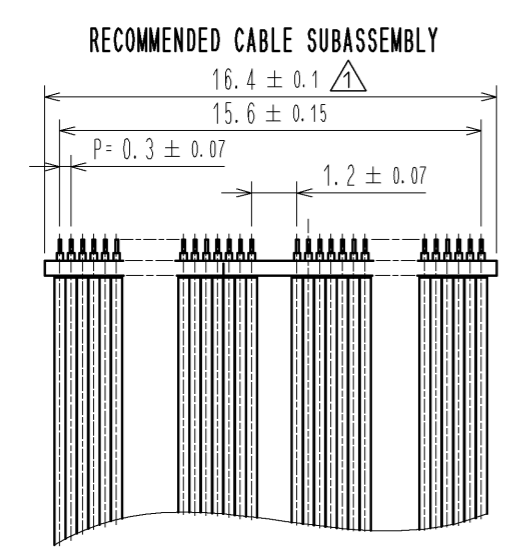
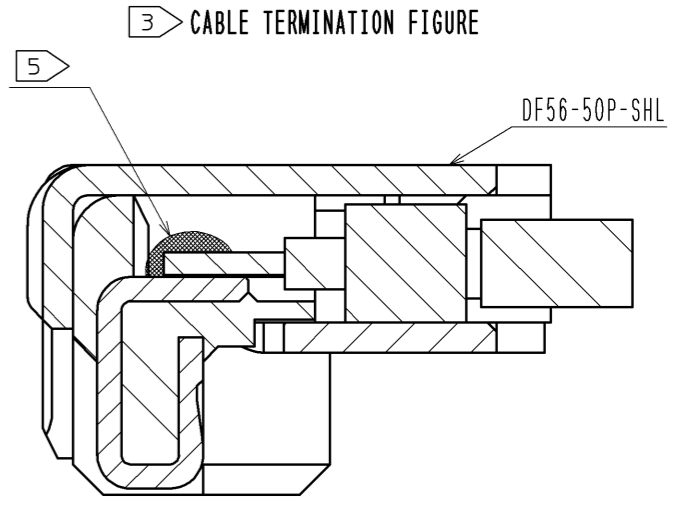
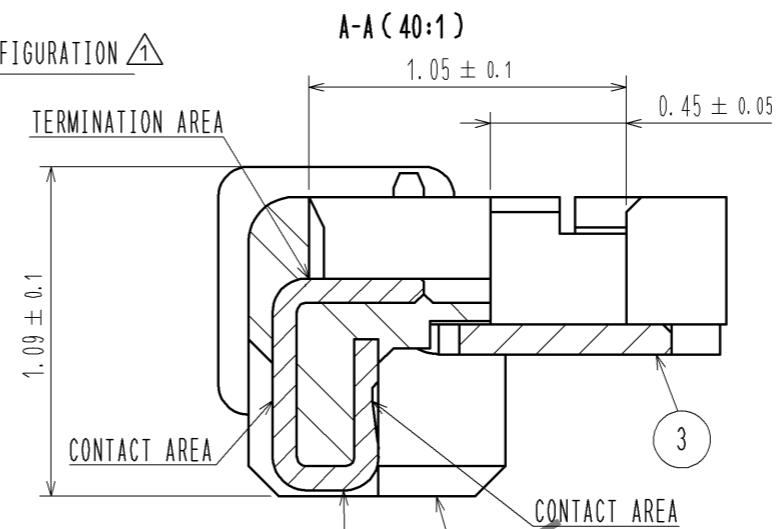
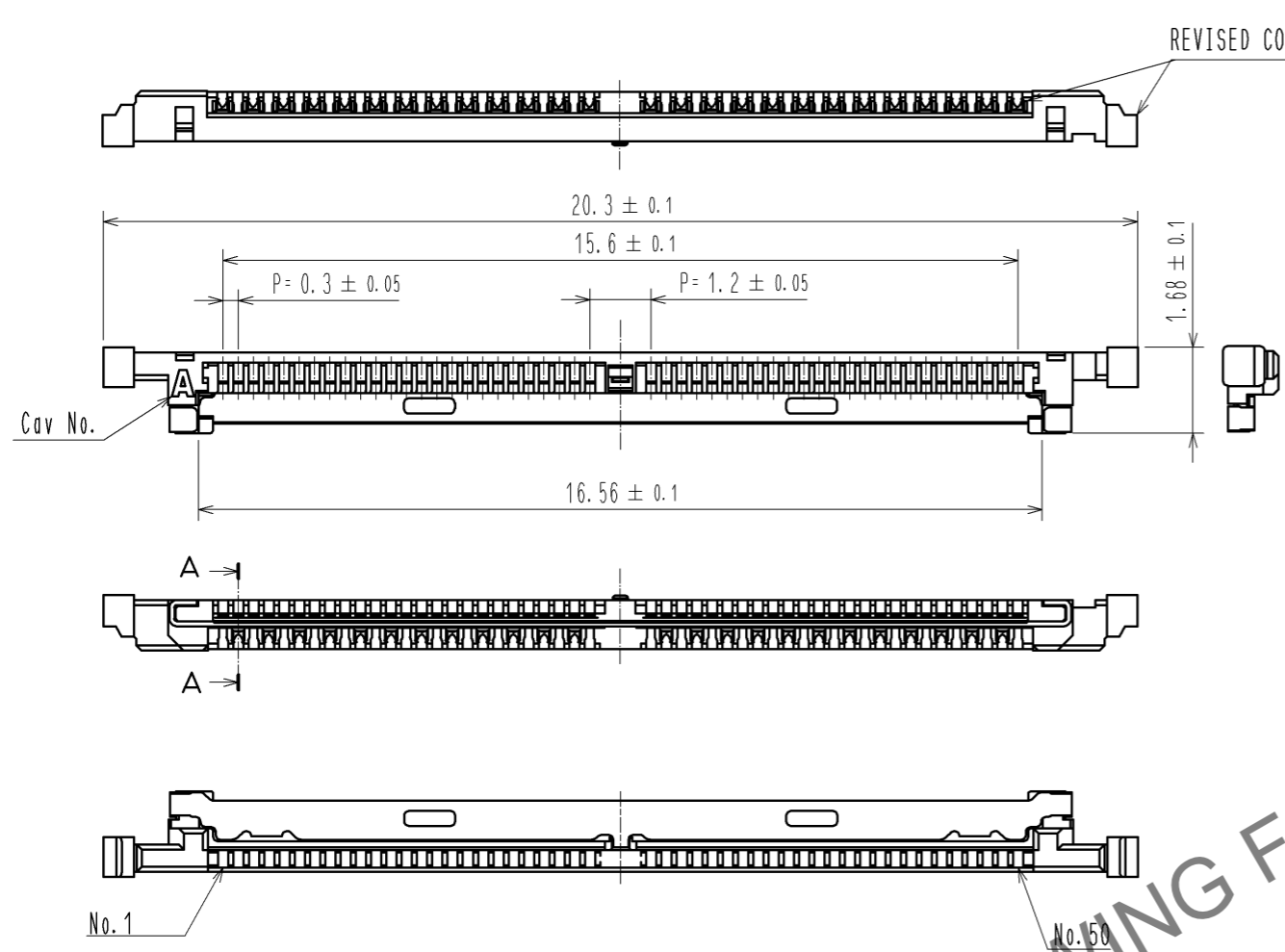


Mar.1.2026 Copyright 2026 HIROSE ELECTRIC CO., LTD. All Rights Reserved.
In case of consideration for using Automotive equipment / device which demand high reliability, kindly contact our sales window correspondents.



HRS DRAWING FOR REFERENCE

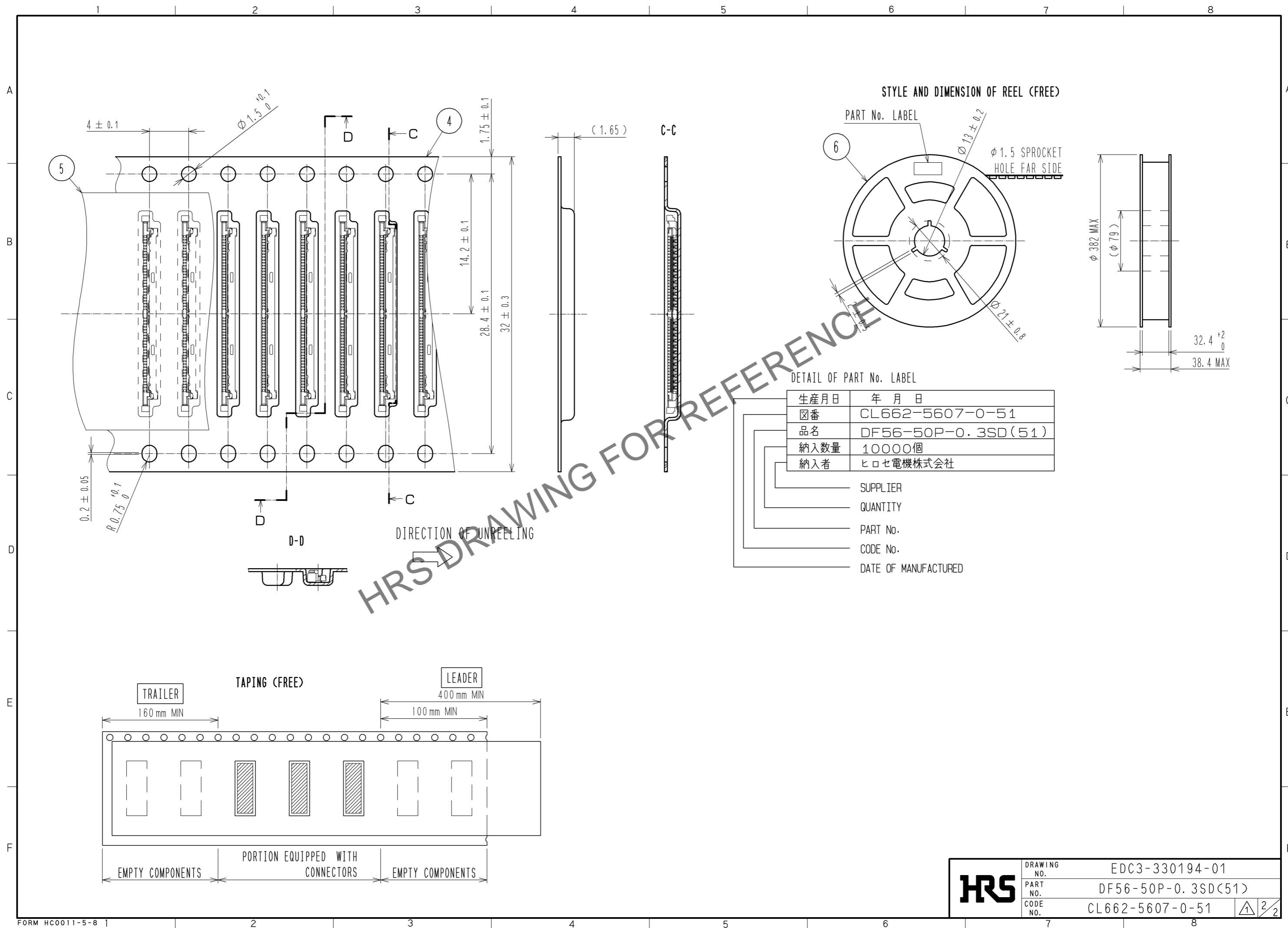
ITEM No.	PART NAME	PART No.	CODE No.
1, 2, 3	CONNECTOR UNIT	DF56-50P-0.3SD(51)	CL662-5607-0-51
-	METAL SHIELDING	DF56-50P-SHL	CL662-5608-2-00

- NOTES
1. APPLICABLE CABLE: MICRO COAXIAL CABLE (AWG#42~AWG#46)
 2. THIS CONNECTOR IS NOT HOT PLUGGABLE. MATE AND UNMATE WHILE THE POWER IS OFF.
 3. THE ASSEMBLY IS COMPLETED BY COMBINING TWO PARTS 'CONNECTOR UNIT, AND METAL SHIELDING'. REFER TO THE TABLE FOR EACH ITEM No., PART NAME, PART No. AND CODE No.
 4. SOLDER A GRAND BAR WITH AN EXTERNAL CONDUCTOR OF THE CABLE ABOUT STICKING A GRAND BAR TOGETHER.
 5. PLEASE CONSULT ABOUT THE USE OF THE POTTING AND KAPTON TAPE SEPARATELY.

NO.	MATERIAL	FINISH	REMARKS	NO.	MATERIAL	FINISH	REMARKS
2	PHOSPHOR BRONZE	CONTACT AREA : Au PLATING 0.1 μm min TERMINATION AREA : Au PLATING 0.1 μm min UNDER PLATING : Ni PLATING 1 μm min		6	PS	BLACK	
1	LCP	UL94V-0 . BLACK		5	POLYESTER	CLEAR	
				4	PS	CLEAR	
				3	STAINLESS	WHOLE AREA : Sn PLATING 1 μm min UNDER PLATING : Ni 0.2 μm min	

UNITS mm		SCALE FREE	COUNT 2	DESCRIPTION OF REVISIONS DIS-H-005089	DESIGNED AH.MIYAZAKI	CHECKED IO.DENPOUYA	DATE 10.09.15
HRS HIROSE ELECTRIC CO., LTD.		APPROVED : TS.SAKATA	10.07.20	DRAWING NO. EDC3-330194-01			
		CHECKED : IO.DENPOUYA	10.07.20	PART NO. DF56-50P-0.3SD(51)			
		DESIGNED : AH.MIYAZAKI	10.07.17	CODE NO. CL662-5607-0-51			
		DRAWN : AH.MIYAZAKI	10.07.17				

Mar.1.2026 Copyright 2026 HIROSE ELECTRIC CO., LTD. All Rights Reserved.
 In case of consideration for using Automotive equipment / device which demand high reliability, kindly contact our sales window correspondents.



HRS	DRAWING NO.	EDC3-330194-01
	PART NO.	DF56-50P-0.3SD(51)
	CODE NO.	CL662-5607-0-51
		\triangle 2/2