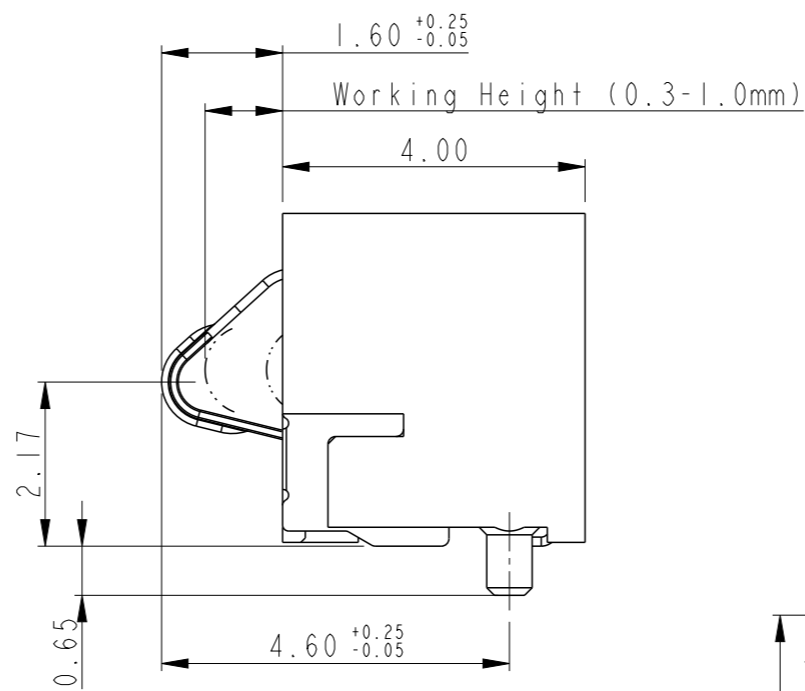
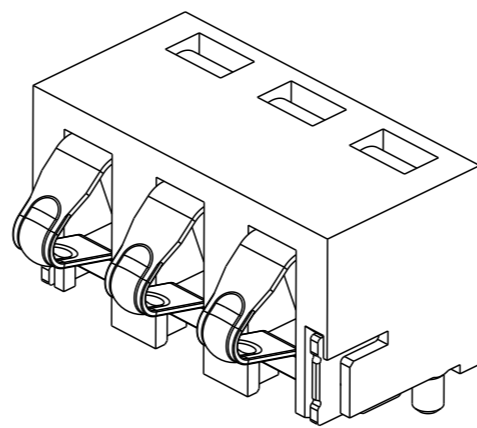
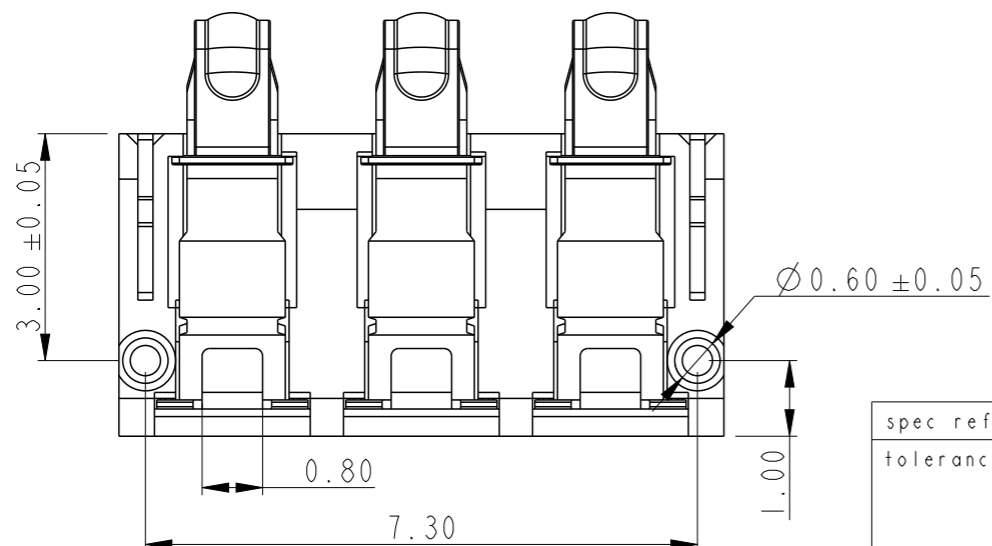
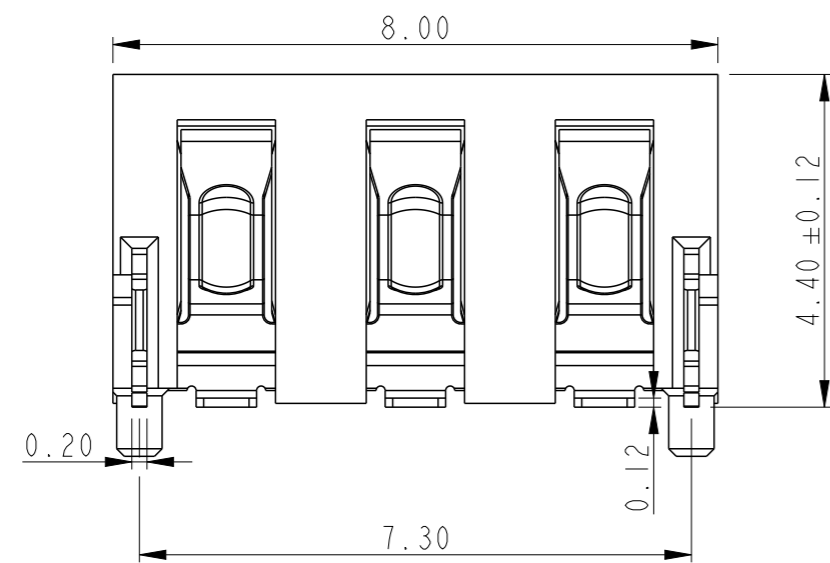
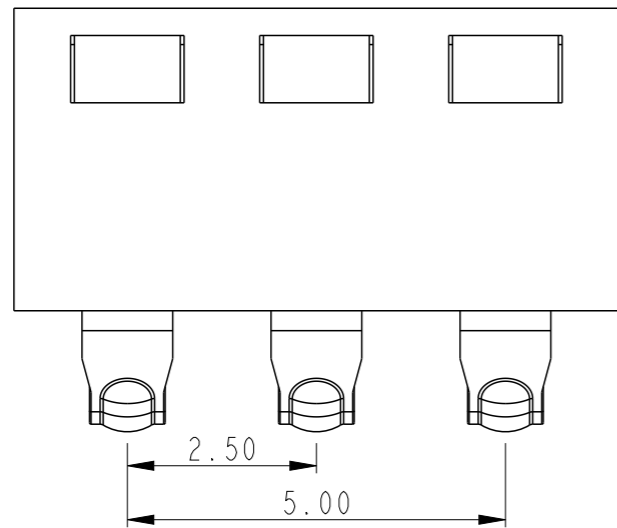
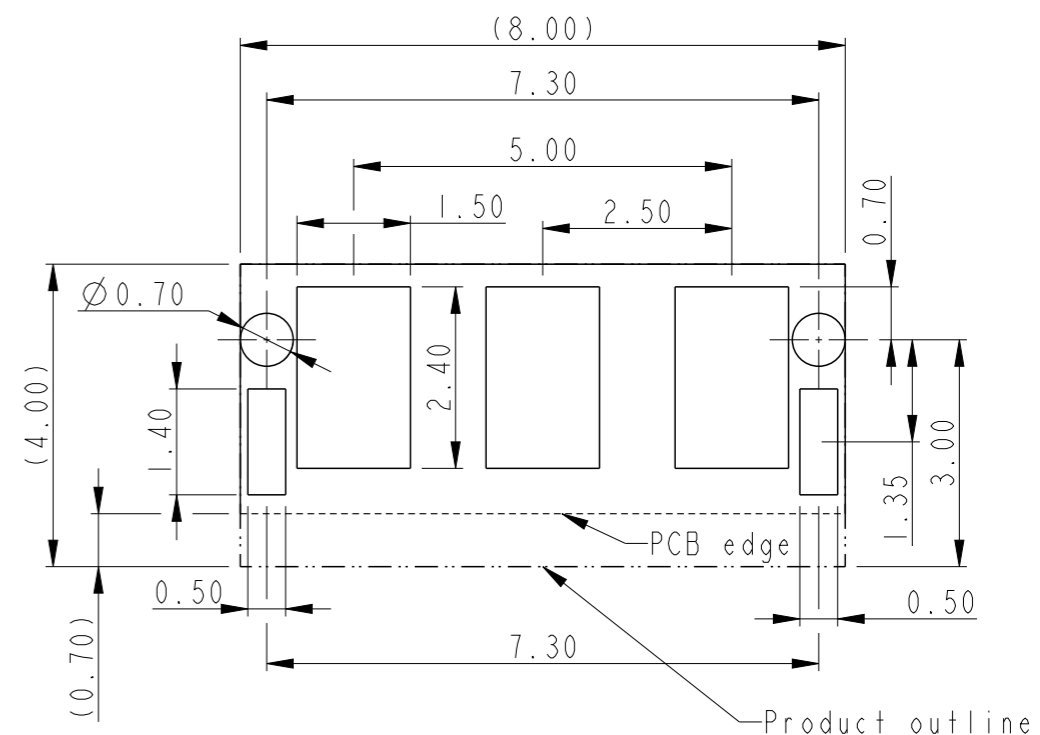


PRODUCT NO
10176862-3000LF



-NOTES-

1. ELECTRICAL:
 - 1.1 CONTACT RESISTANCE: 20m OHMS MAX.
 - 1.2 DIELECTRIC WITHSTANDING VOLTAGE: 250V RMS.
 - 1.3 INSULATION RESISTANCE: 1000M OHMS MIN.
 - 1.4 CURRENT RATED: 3.3A/PIN
2. MECHANICAL:
 - 2.1 MATE FORCE: 2.5KG MAX
 - 2.2 DURABILITY: 3000CYCLES MIN.
3. ENVIRONMENT:
 - OPERATING TEMPERATURE: -55° TO +105°.
4. FINISH:
 - 4.1 TERMINAL: 3u" GOLD PLATED ON CONTACT AREA, GOLD FLASH ON SOLDER TAIL, 50u" MIN NICKEL OVER ALL.
 - 4.2 STATOR: 80u" MIN TIN AND 50u" MIN NICKEL OVER ALL.
5. MATERIAL:
 - 5.1 HOUSING: HI-TEMP PLASTIC, UL94V-0, BLACK;
 - 5.2 TERMINAL: COPPER ALLOY, T=0.12MM
 - 5.3 STATOR: COPPER ALLOY, T=0.20MM



RECOMMENDED PCB LAYOUT
TOLERANCE: 0.05

spec ref	dr	Li-Qing Lei	2024/06/05	projection	mm	size	A3	scale	10:1
tolerance std	eng	Li-Qing Lei	2024/11/01		mm	ecn no	rel level	Released	rev
TOLERANCES UNLESS OTHERWISE SPECIFIED			chr						
surface	linear	0.X	±0.35		Spring RA Type 2.5Pitch	dwg no	10176862	Product - Customer Drw	sheet 1 of 1
		0.XX	±0.25						
		0.XXX	±0.15						
	angular	0°	±2°	amphenol-icc.com	cat. no.				