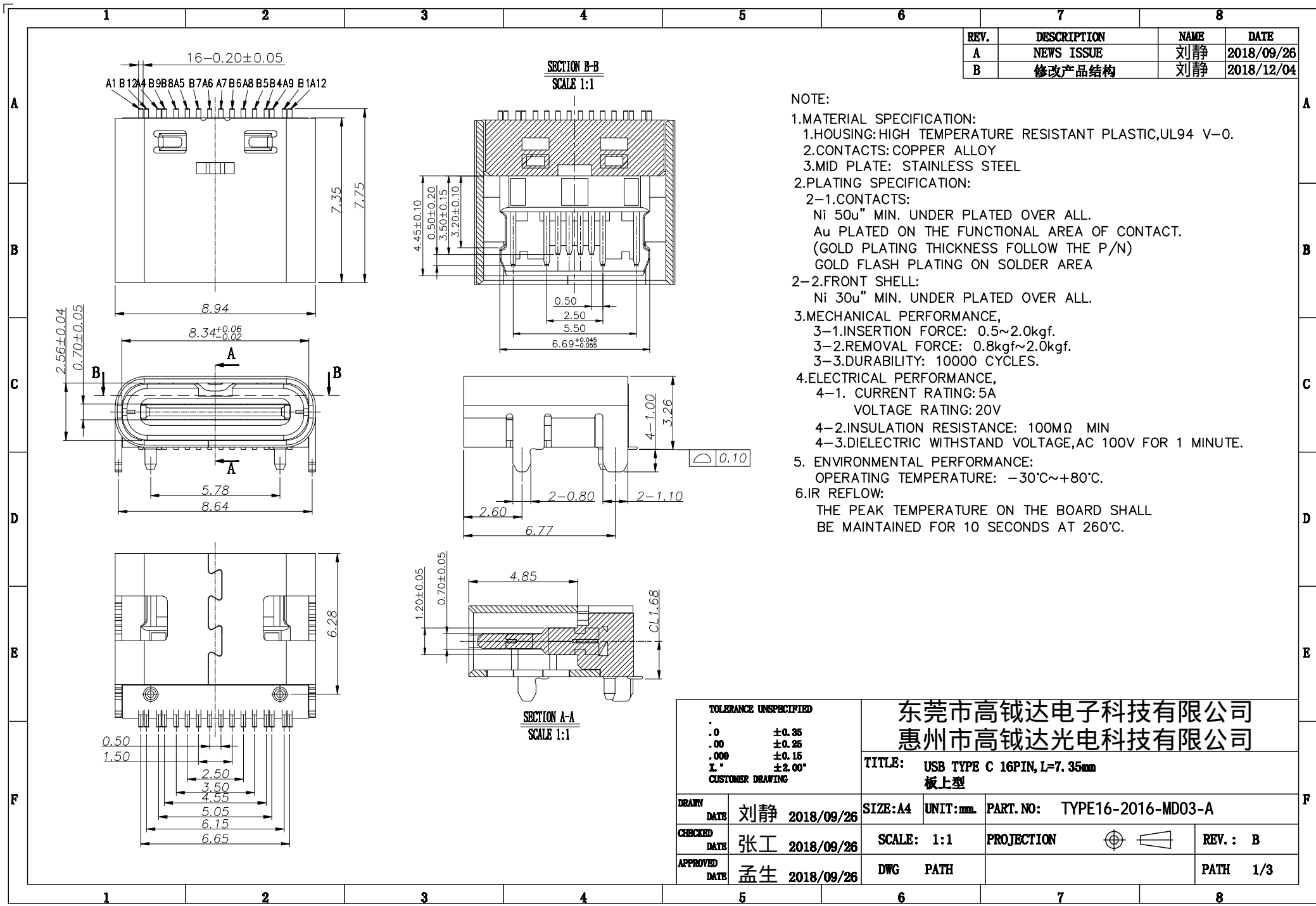


REV.	DESCRIPTION	NAME	DATE
A	NEWS ISSUE	刘静	2018/09/26
B	修改产品结构	刘静	2018/12/04

NOTE:

- MATERIAL SPECIFICATION:
 - HOUSING: HIGH TEMPERATURE RESISTANT PLASTIC, UL94 V-0.
 - CONTACTS: COPPER ALLOY
 - MID PLATE: STAINLESS STEEL
- PLATING SPECIFICATION:
 - CONTACTS:
 - Ni 50u" MIN. UNDER PLATED OVER ALL.
 - Au PLATED ON THE FUNCTIONAL AREA OF CONTACT.
 - (GOLD PLATING THICKNESS FOLLOW THE P/N)
 - GOLD FLASH PLATING ON SOLDER AREA
 - FRONT SHELL:
 - Ni 30u" MIN. UNDER PLATED OVER ALL.
- MECHANICAL PERFORMANCE,
 - INSERTION FORCE: 0.5~2.0kgf.
 - REMOVAL FORCE: 0.8kgf~2.0kgf.
 - DURABILITY: 10000 CYCLES.
- ELECTRICAL PERFORMANCE,
 - CURRENT RATING: 5A
VOLTAGE RATING: 20V
 - INSULATION RESISTANCE: 100MΩ MIN
 - DIELECTRIC WITHSTAND VOLTAGE, AC 100V FOR 1 MINUTE.
- ENVIRONMENTAL PERFORMANCE:
 - OPERATING TEMPERATURE: -30°C~+80°C.
- IR REFLOW:
 - THE PEAK TEMPERATURE ON THE BOARD SHALL BE MAINTAINED FOR 10 SECONDS AT 260°C.



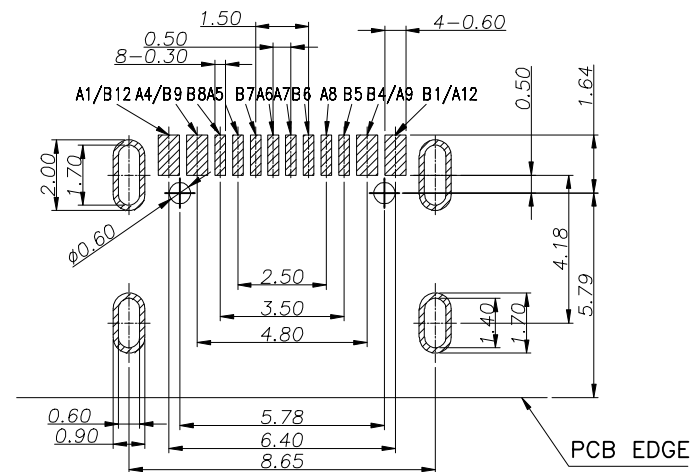
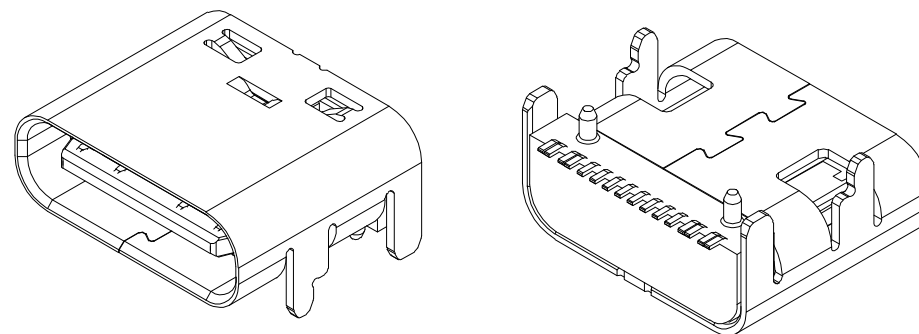
TOLERANCE UNSPECIFIED	
.0	±0.35
.00	±0.25
.000	±0.15
1"	±2.00"
CUSTOMER DRAWING	

东莞市高钺达电子科技有限公司 惠州市高钺达光电科技有限公司			
TITLE: USB TYPE C 16PIN, L=7.35mm 板上型			
DRAWN DATE 刘静 2018/09/26	SIZE: A4	UNIT: mm	PART. NO: TYPE16-2016-MD03-A
CHECKED DATE 张工 2018/09/26	SCALE: 1:1	PROJECTION 	REV.: B
APPROVED DATE 孟生 2018/09/26	DWG PATH	PATH 1/3	

USB TYPE-C PIN ASSIGNMENTS

PIN NUMBER	SIGNAL NAME
A1	GND
A4	VBUS
A5	CC1
A6	Dp1
A7	Dn1
A8	SBU1
A9	VBUS
A12	GND

PIN NUMBER	SIGNAL NAME
B12	GND
B9	VBUS
B8	SBU2
B7	Dn2
B6	Dp2
B5	CC2
B4	VBUS
B1	GND



RECOMMEND P.C.B LAYOUT(COMPONENT SIDE)
TOLERANCE FOR PCB LAYOUT IS ± 0.05

TOLERANCE UNSPECIFIED	
.0	± 0.35
.00	± 0.25
.000	± 0.15
1"	± 2.00
CUSTOMER DRAWING	

东莞市高钺达电子科技有限公司
惠州市高钺达电子科技有限公司

TITLE: USB TYPE C 16PIN, L=7.35mm
板上型

DRAWN DATE	刘静 2018/09/26	SIZE:A4	UNIT:mm.	PART. NO: TYPE16-2016-MD03-A
CHECKED DATE	张工 2018/09/26	SCALE: 1:1	PROJECTION	REV.: B
APPROVED DATE	孟生 2018/09/26	DWG	PATH	PATH 2/3