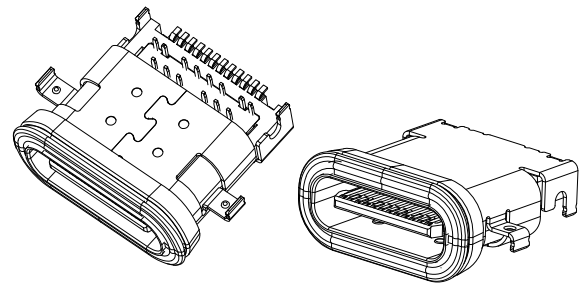
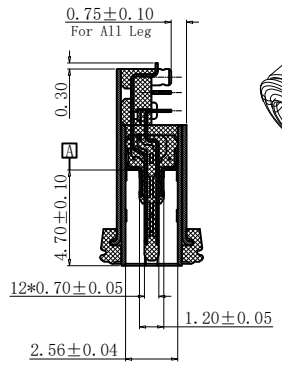
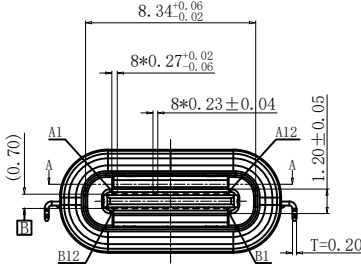
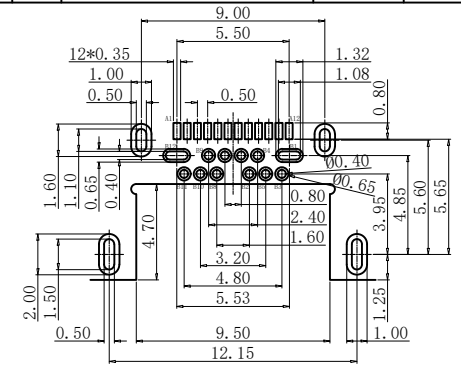




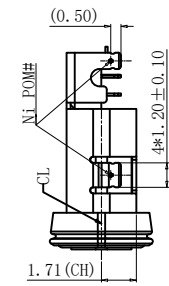
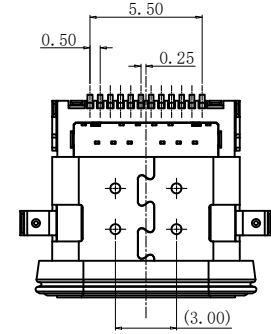
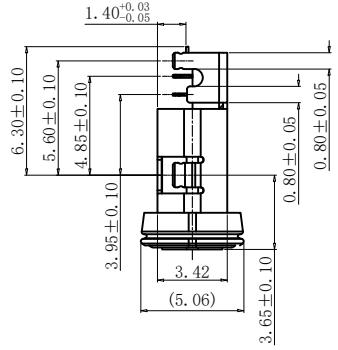
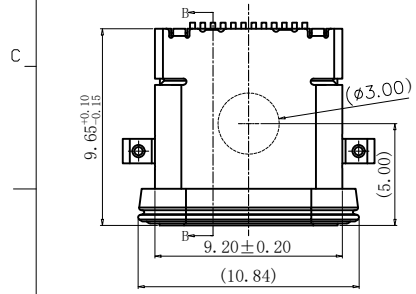
REV.	ZONE	DESCRIPTION	DESIGN	DATE
B		NEW		



3D View

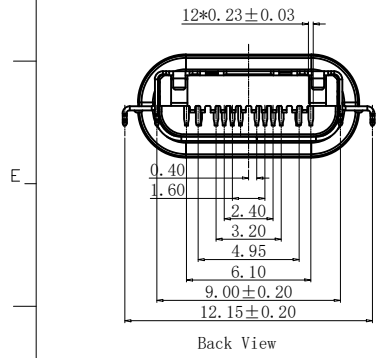


RECOMMENDED PCB LAYOUT, TOP VIEW
(THICKNESS=0.60MM; TOLERANCE: ±0.05)

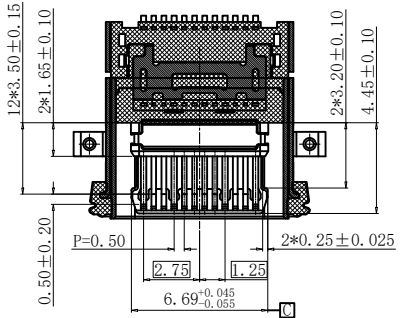


SPECIFICATION:

- Material & Finish: See the list;
- Mechanical:
 - Mating Force: 5-20Nf;
 - Unmating force: Initial: 8-20Nf; Final: 6-20Nf;
 - Durability: 10000 Cycles;
- Electrical:
 - Current Rating:
 - VBus Pins: 5A, Vconn Pin: 1.25A, Other Pins: 0.25A;
 - Voltage Rating: 20V Max.;
 - Dielectric Withstanding voltage: 100Vac, 60S, 10mA;
 - Contact resistance: 40m Ohms Max.;
 - Insulation Resistance: 100M Ohms Min.;
- Environmental:
 - Operating temperature: -40°C ~ +85°C;
 - Salt Spray Test: 48H Min.;
 - Wetting Temperature: 265±5°C, 5±0.5s



Back View



Section A-A

PIN DEFINE TABLE			
PIN	SIGNAL	PIN	SIGNAL
A12	GND	B1	GND
A11	RX2+	B2	TX2+
A10	RX2-	B3	TX2-
A9	VBUS	B4	VBUS
A8	SBU1	B5	CC2
A7	D-	B6	
A6	D+	B7	
A5	CC1	B8	SBU2
A4	VBUS	B9	VBUS
A3	TX1-	B10	RX1-
A2	TX1+	B11	RX1+
A1	GND	B12	GND

NO.	PART NAME	Q'TY	MATERIAL	FINISH
7	RUBBER RING	1	RUBBER	BLACK
6	Shell	1	SUS304-3/4H, T=0.20mm	50u"Ni Min.
5	INSIDE Shell	1	SUS316L, T=0.20mm	50u"Ni Min.
4	GroundBar	1	SUS301-H, T=0.12mm	No Plating
3	Down Contact	8	C1814, T=0.12mm	Au15u"MIN/50u"Ni Min.
2	Top Contact	8	C1814, T=0.12mm	Au15u"MIN/50u"Ni Min.
1	Housing	1	PA 9T	UL 94 V-0

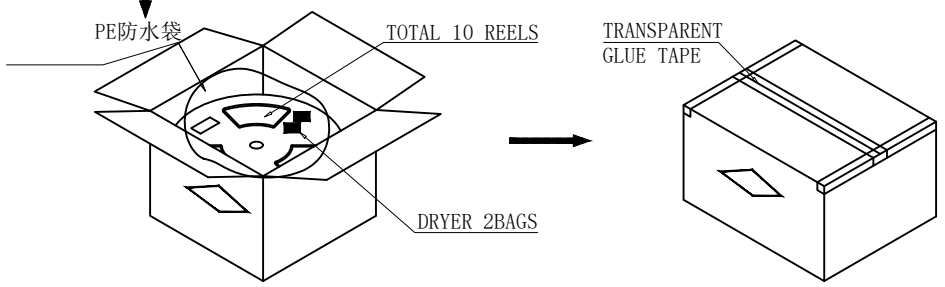
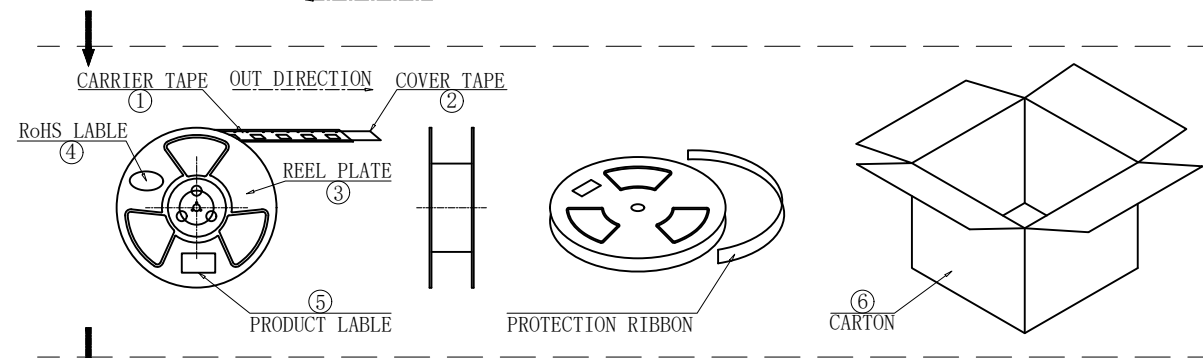
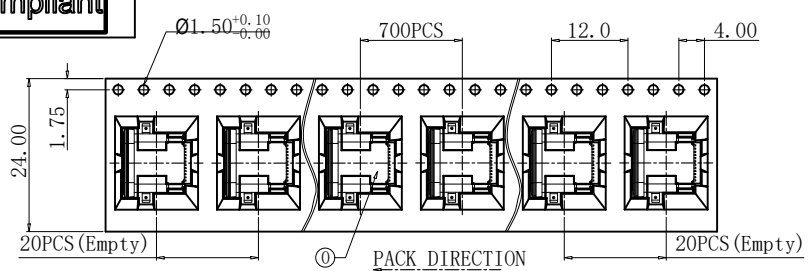
X.	±0.50	X.*	± 2*	UNITS	mm
.X	±0.30	.X*	± 1*		
.XX	±0.10	.XX*	± 0.5*	MAT'L	/
.XXX	± 0.05				
				FINISH	/
				Q'TY	/

东莞市高钺达电子科技有限公司
惠州市高钺达光电科技有限公司
TITLE: TYPE24-N1F1-CF140-A
TYPE-C 24PIN沉板1.4MM防水母座 前插后贴 长L=9.65MM IPX7级

APPD:	DWG NO.:	
CHKD:		
DR:		
SCALE	SHEET	REV.
1/1	1/1	A1



REV.	ZONE	DESCRIPTION	DESIGN	DATE
B		NEW		



说明:

- 每卷前后各空20PCS, 尾部用美纹胶纸封住;
- 将产品放满盘后, 再卷一圈保护带, 用美纹胶纸将其封住, 并贴上1Pcs物料标签;
- 每10卷盘一叠共7000Pcs并装入1个外箱内;
- 在搬运过程中要轻拿轻放;
- 在运输中不可堆放过多(1.8M最高), 不可重压;
- 跌落测试条件:
成品箱从1.2米高度自由落体(一角三棱六面):
a. 产品不可跑出下带凹槽;
b. 产品不可有摔伤, 变形;
c. 内包装材料不可严重破损.

NO.	NAME	SPEC	Q'TY
①	TYPE C RECEPTACLE		7000PCS/CARTON
①	CARRIER TAPE	W=24mm, T=0.40mm	700PCS/PLATE
②	COVER TAPE	W=21.3mm	10PLATES/CARTON
③	REEL PLATE	Ø330*100*24.4mm	10PCS/CARTON
④	RoHS LABEL		10PCS/CARTON
⑤	PRODUCT LABELER		10PCS/CARTON
⑥	CARTON	350*340*310mm	1PCS/PACKAGE

X.	± 0.50	X.*	± 2°	UNITS mm
.X	± 0.30	.X*	± 1°	
.XX	± 0.10	.XX*	± 0.5°	MAT'L
.XXX	± 0.05			
				FINISH
				Q'TY

东莞市高钺达电子科技有限公司
Dongguan GaoYueDa Electronic Technology Co.Ltd.

TITLE:
TYPE-C 24PIN沉板1.4MM防水母座 前插后贴 长L=9.65MM IPX7级

APPD:	DWG NO.:	
CHKD:		
DR:		
SCALE	SHEET	REV.
1/1	1/1	A1