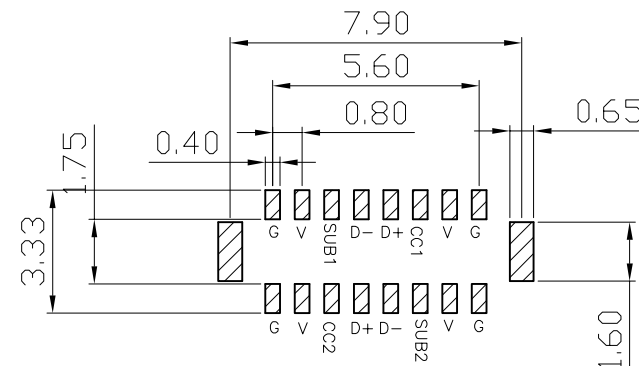
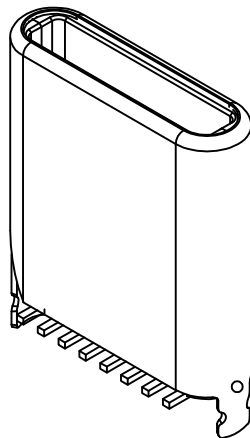
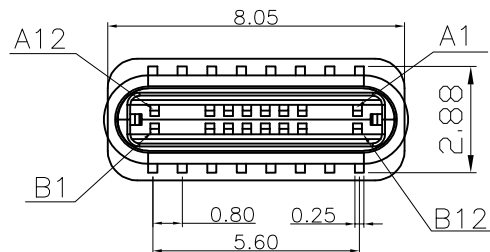




REV.	ZONE	DESCRIPTION	DESIGN	DATE
B		NEW		

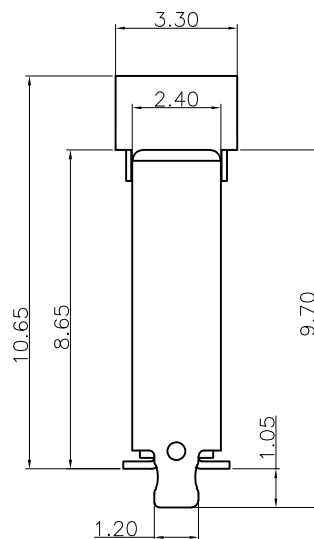
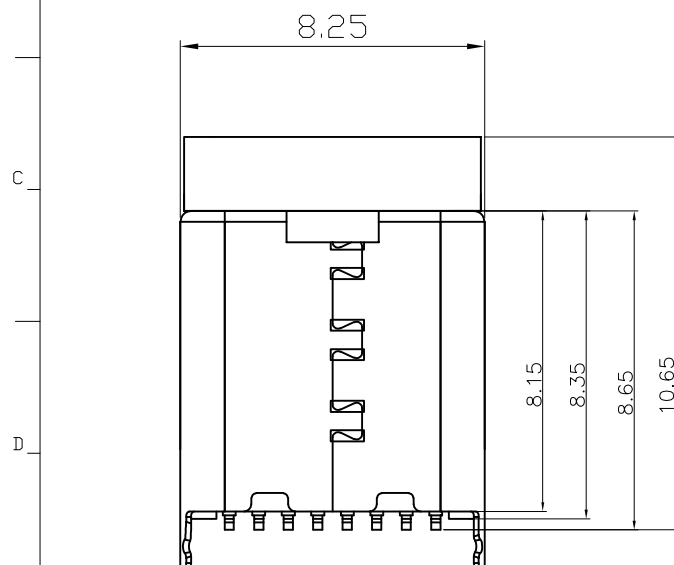


RECOMMENDED P.C.B. LAYOUT  
TOLERANCE UNSPECIFIED  $\pm 0.05\text{mm}$

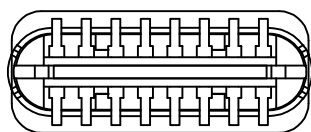
NOTES:

SPECIFICATION:

- CURRENT RATING: 3.0A MAX
- VOLTAGE: 100 VAC
- TEMPERATURE RANGE:  $-30\text{ }^{\circ}\text{C} \sim 85\text{ }^{\circ}\text{C}$
- CONTACT RESISTANCE: 40 MILLIONHM MAX
- INSULATION RESISTANCE: 100 MEGOHMS MIN.
- INSERTION FORCE : 5N~20N
- UNMATING FORCE: 8N~20N
- DURABILITY: 10,000 CYCLES



A1	GND	B12	GND
A2		B11	
A3		B10	
A4	VBUS	B9	VBUS
A5	CC1	B8	SBU1
A6	DP1	B7	DN1
A7	DN1	B6	DP1
A8	SBU1	B5	CC2
A9	VBUS	B4	VBUS
A10		B3	
A11		B2	
A12	GND	B1	GND
PIN	SIGNAL NAME	PIN	SIGNAL NAME



NO.	DESCRIPTION	MATERIAL	COLOR	REMARK
4	PLASTIC	HIGH TEMP	BLACK/WHITE	UL 94V-0
3	Latch	STAINLESS STEEL	—	Ni Plated
2	TERMINAL	COPPER ALLOY	—	Gold Plated
1	SHELL	STAINLESS STEEL	—	Ni Plated

X.	$\pm 0.50$	X.*	$\pm 2^{\circ}$	UNITS mm	<b>东莞市高钺达电子科技有限公司</b> <b>惠州市高钺达光电科技有限公司</b> TITLE: TYPE16-L1T1-8650-Z TYPE-C 16PIN立式贴片SMT公头 高H=8.65MM 脚长1.1MM
.X	$\pm 0.30$	.X*	$\pm 1^{\circ}$		
.XX	$\pm 0.10$	.XX*	$\pm 0.5^{\circ}$	MAT'L	
.XXX	$\pm 0.05$			FINISH	
				Q'TY	
APPD:		CHKD:		DWG NO.:	
DR:		SCALE		SHEET	
		1/1		REV. 1/1 A1	