



RoHS Compliant

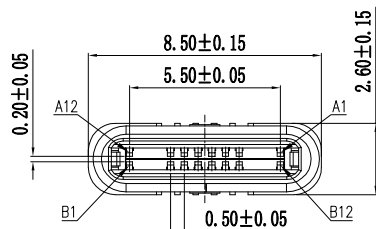
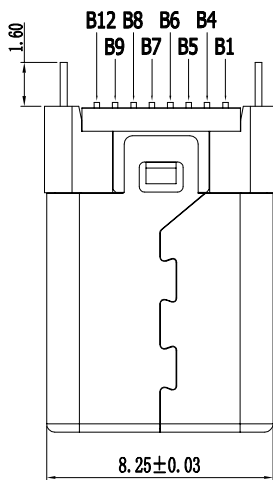
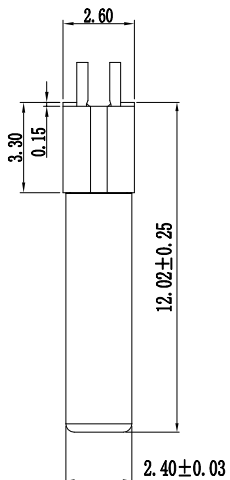
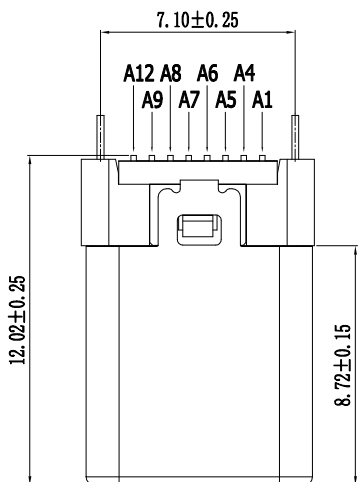
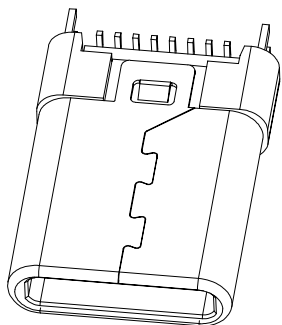
A

B

C

D

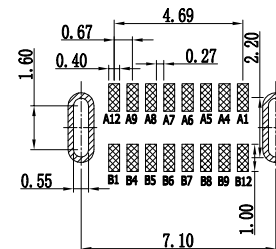
E



USB TYPE C 接线示意图

A4、A9、B9、B4	V
A5	/
B5	/
A1、A12、B1、B12	G
A6	D+
A7	D-
(R1=56KΩ R3=56KΩ) 5%	

REV.	ZONE	DESCRIPTION	DESIGN	DATE
A		NEW		
B		DRAWING UPGRADE	ZXM	2024.08.31



RECOMMENDED PCB LAYOUT ( $t=0.80 \pm 0.05$ )  
COMPONENT SIDE (GENERAL TOLERANCE:  $\pm 0.05$ )

NOTES:

1.MECHANICAL:

MATING FORCE: 5-20N .  
UNMATING FORCE: 8-20N .  
DURABILITY: 10000 CYCLES MIN.

2.ELECTRICAL:

CURRENT: 5.0A MAX  
VOLTAGE: 20V MAX  
WITHSTANDING VOLTAGE: 100V AC  
CONTACT RESISTANCE: 40 mΩ MAX INITIAL;  
50 mΩ MAX AFTER 10000 CYCLES

3.ENVIRONMENTAL

OPERATING TEMPERATURE RANGE  $-30^{\circ}\text{C} \sim +80^{\circ}\text{C}$

NO.	DESCRIPTION	QTY.	MATERIAL	TREATMENT
④	GND LATCH	1	STAINLESS STEEL	NI 30u" Min. PLATED OVERALL, TAB WITH LEAD FREE TIN 50u"Min.
③	CONTACT	16	COPPER ALLOY	NI 30u" Min. UNDER PLATING OVER ALL, G/F PLATING AT - CONTACT AREA. LEAD FREE TIN 50u"Min. AT TERMINATION.
②	SHELL	1	STAINLESS STEEL	Ni 30u" Min. UNDER PLATED OVER ALL.
①	HOUSING	2	THERMOPLASTIC UL 94V-0	MOLDED COLOR:BLACK/WHITE

X.	$\pm 0.50$	X.*	$\pm 2^{\circ}$	UNITS mm	<b>东莞市高钺达电子科技有限公司</b> <b>惠州市高钺达光电科技有限公司</b> TITLE: <b>TPL16-N1S1-1200-Z</b> <b>TYPE-C 16PIN立式贴片公头 高H=11.94MM</b>
.X	$\pm 0.30$	.X*	$\pm 1^{\circ}$		
.XX	$\pm 0.10$	.XX*	$\pm 0.5^{\circ}$	MAT'L /	
.XXX	$\pm 0.05$				
				FINISH /	APPD: /
				Q'TY /	CHKD: /
				DR: /	DWG NO.: <b>参考表1</b>
				SCALE SHEET REV. 1/1 1/2 B	

A

B

C

D

E

1

2

3

4

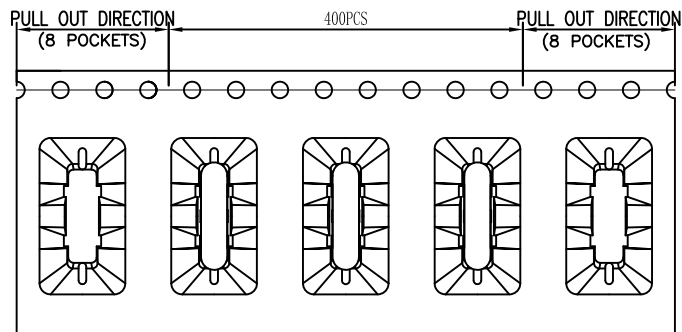
5

6

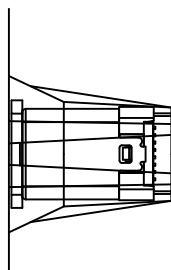
7



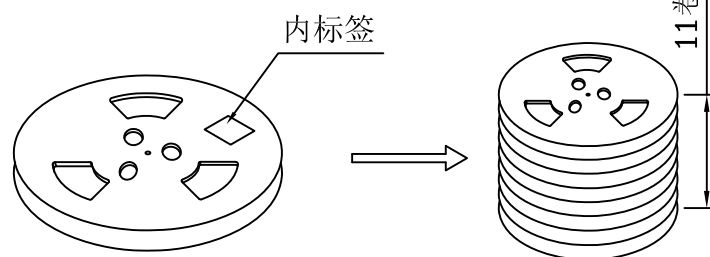
REV.	ZONE	DESCRIPTION	DESIGN	DATE
A		NEW		
B		DRAWING UPGRADE	ZXM	2024.08.31



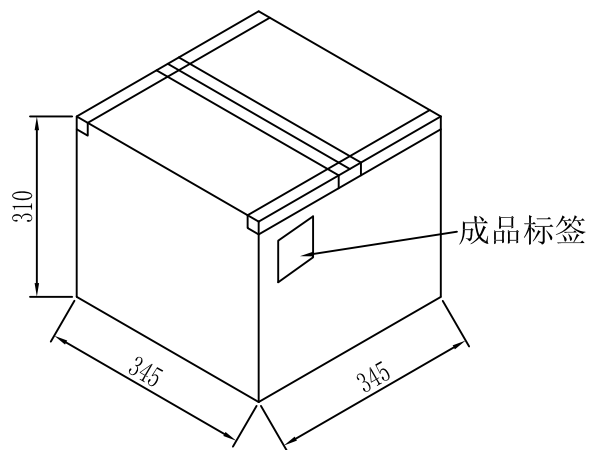
① 产品入载带示意图



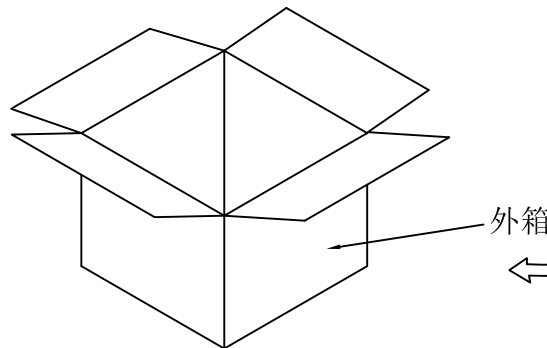
② 卷盘贴标签示意图



③ 11盘产品叠层示意图



⑤ 外箱封箱示意图



④ 产品入外箱示意图

包装说明:

1. 将检验好的成品;对插口朝前放入载带;每卷装400PCS产品;具体如图一所示
2. 将包装好的产品;每盘必需贴上内标签;具体如图二所示
3. 将贴好内标签的产品每11盘叠;具体如图三所示
5. 装好后并封好纸箱及贴好相关标签;具体如图五所示;  
(产品包装的标签,如客户有要求,请按客户要求包装出货)
6. 载带前面留8PCS空格,后面留8PCS空格
7. COVER与CARRY剥离力:50-125g,速度:300mm/分钟左右,剥离角度:165°-180°

	REEL	CARTON
CONNECTOR (PCS)	400	4400

X. ±0.50	X.* ± 2°	UNITS mm	东莞市高钺达电子科技有限公司 惠州市高钺达光电科技有限公司		
.X ±0.30	.X* ± 1°				
.XX ±0.10	.XX* ± 0.5°	MAT'L	TITLE: TYPE-C 16PIN立贴包装规范		
.XXX ± 0.05					
		FINISH	APPD:	DWG NO: 参考表1	
			Q'TY	CHKD:	
			DR:		
			SCALE SHEET REV.		
			1/1 2/2 B		