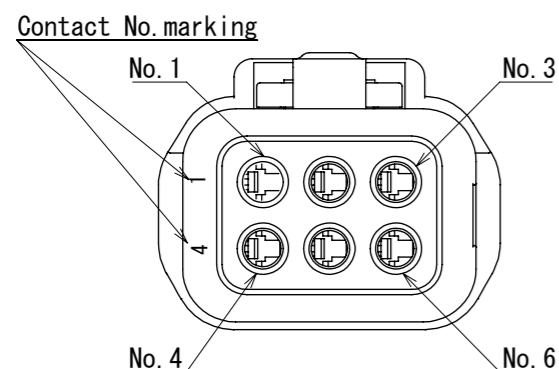
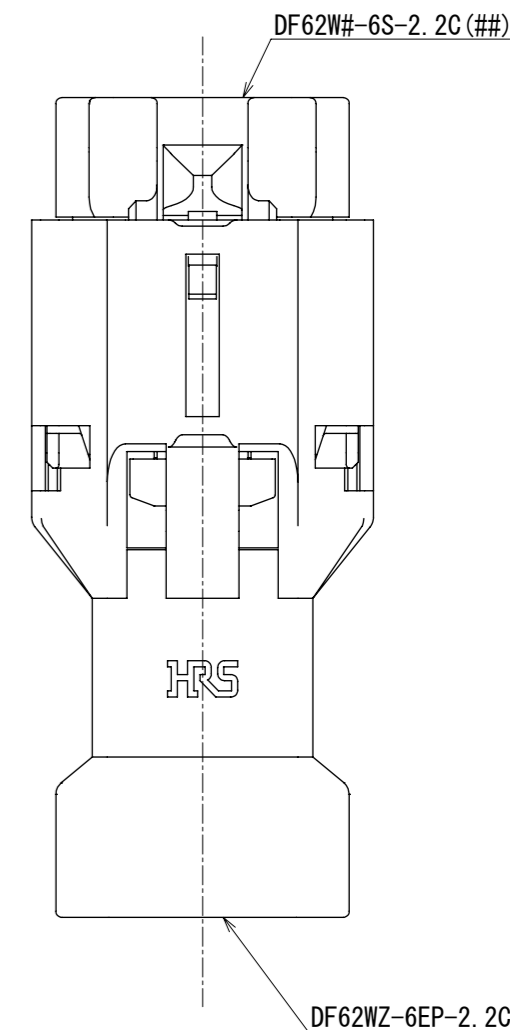
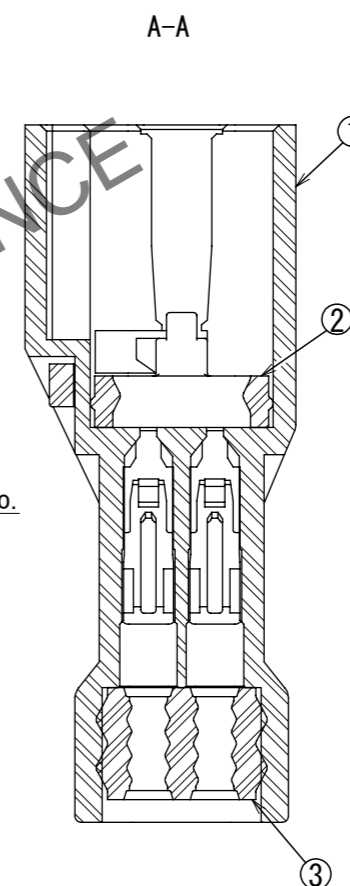
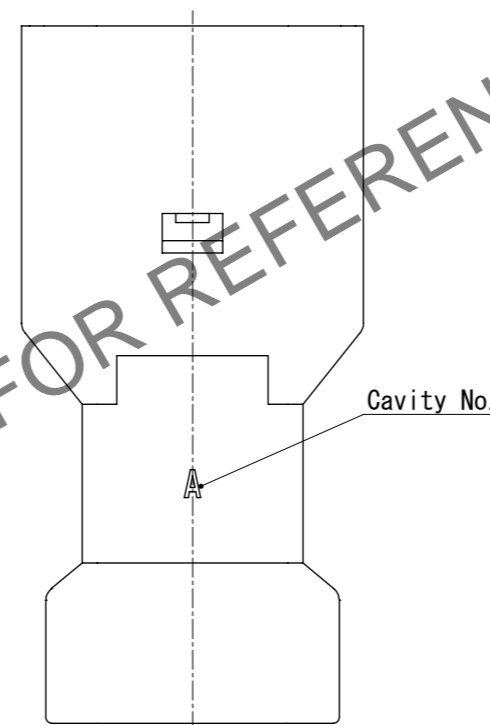
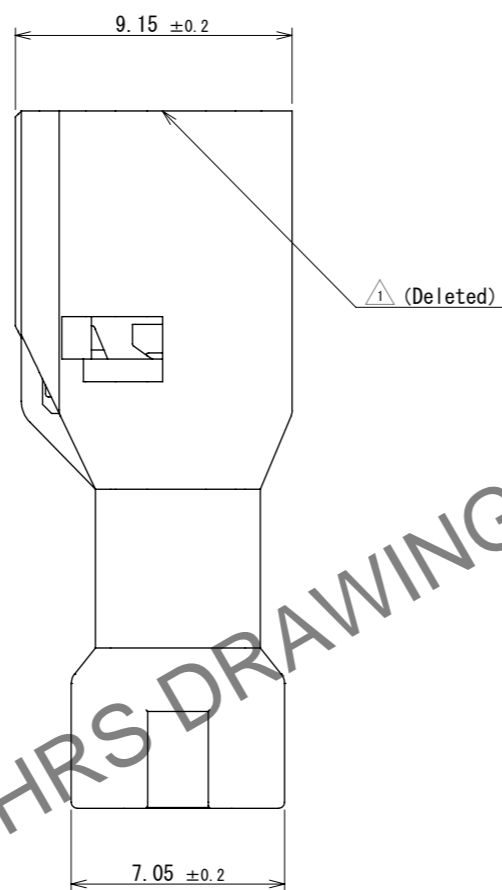
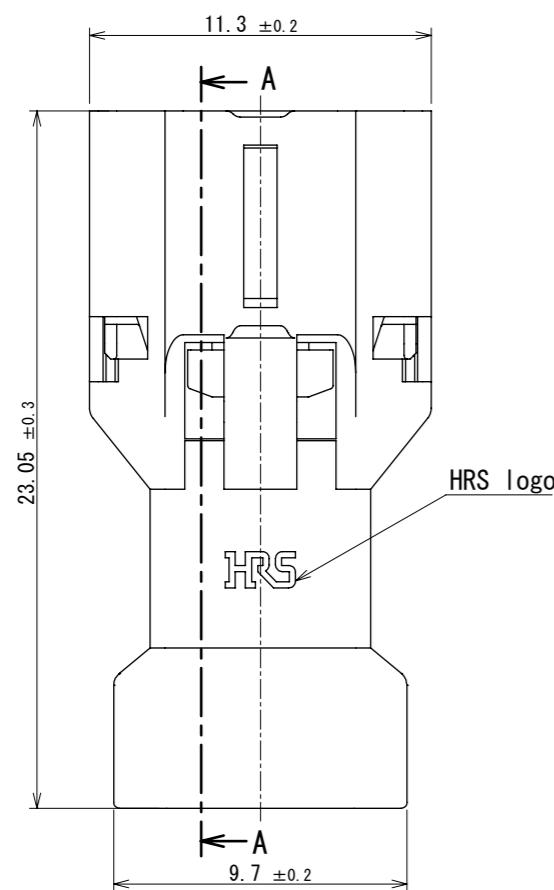
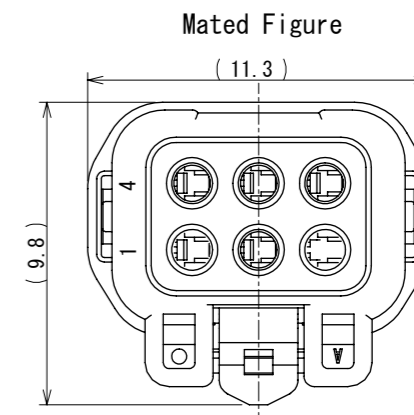
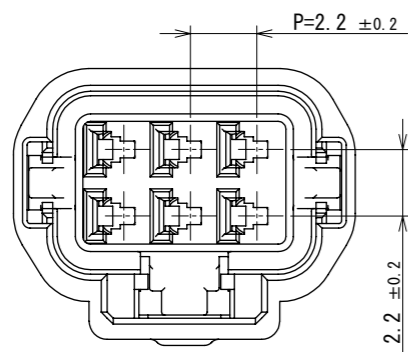


Mar.1.2026 Copyright 2026 HIROSE ELECTRIC CO., LTD. All Rights Reserved.  
 In case of consideration for using Automotive equipment / device which demand high reliability, kindly contact our sales window correspondents.



- Notes. 1. 100 pcs. / bag  
 2. The dimensions in parenthesis are reference dimensions.  
 3. Always refer to the manuals below for operation of this product.  
 For cable assembly /Cable assembly procedure ETAD-H0760  
 For mating, unmating / Operation manual ETAD-H0761  
 For operation / Board-to-wire Connector Guidelines ETAD-H1023

1	PBT	UL94V-0(Black)	3	Silicone rubber	Bengala				
2			2	Silicone rubber	Bengala				
NO.	MATERIAL	FINISH	REMARKS	NO.	MATERIAL	FINISH	REMARKS		
UNITS	mm	4:1	COUNT	DESCRIPTION OF REVISIONS			DESIGNED	CHECKED	DATE
mm				1	DIS-H-00021647			YT. NIITSUMA	HT. SATO
APPROVED : SJ. OKAMURA		2024. 09. 30		DRAWING NO.		EDC-395067-00-00			
CHECKED : HT. SATO		2024. 09. 27		PART NO.		DF62WZ-6EP-2. 2C			
DESIGNED : YT. NIITSUMA		2024. 09. 27		CODE NO.		CL0544-1063-0-00			
DRAWN : YT. NIITSUMA		2024. 09. 27							