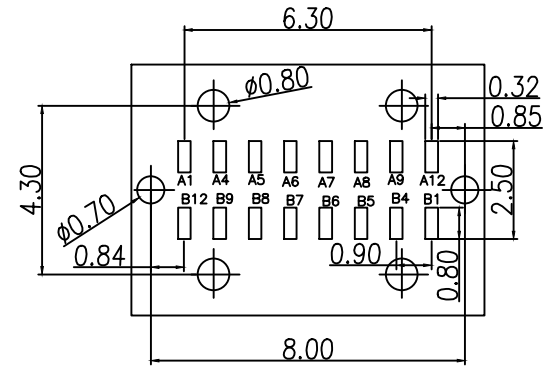
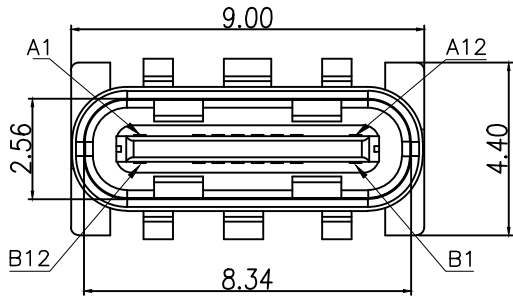


**Kinghelm®**

| REV. | ZONE | DESCRIPTION | DESIGN | DATE |
|------|------|-------------|--------|------|
| B    |      | NEW         |        |      |

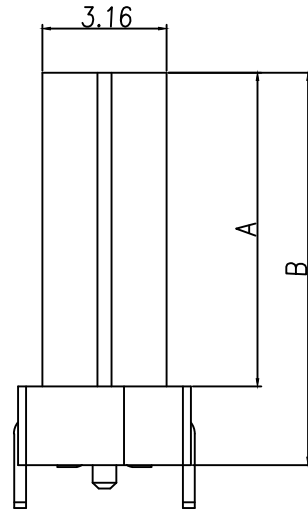
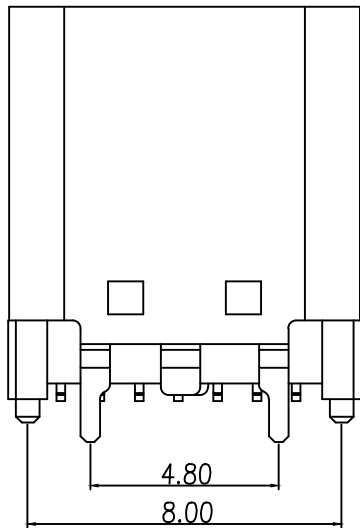


RECOMMENDED P.C.B. LAYOUT  
TOLERANCE UNSPECIFIED ±0.05mm

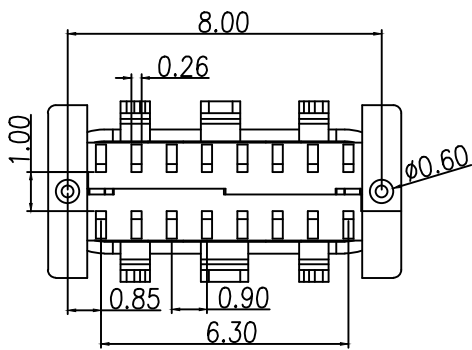
NOTES:

SPECIFICATION:

- CURRENT RATING: 5.0A MAX
- VOLTAGE: 100 VAC
- TEMPERATURE RANGE: -30 °C ~ 85 °C
- CONTACT RESISTANCE: 40 MILLIONHM MAX
- INSULATION RESISTANCE: 100 MEGOHMS MIN.
- INSERTION FORCE : 5N~20N
- UNMATING FORCE: 8N~20N
- DURABILITY: 10,000 CYCLES



|   |       |       |      |      |
|---|-------|-------|------|------|
| A | 8.50  | 8.00  | 7.30 | 6.80 |
| B | 10.50 | 10.00 | 9.30 | 8.80 |



|     |             |     |             |
|-----|-------------|-----|-------------|
| A1  | GND         | B12 | GND         |
| A4  | VBUS        | B9  | VBUS        |
| A5  | CC1         | B8  | SBU2        |
| A6  | DP1         | B7  | DN2         |
| A7  | DN1         | B6  | DP2         |
| A8  | SBU1        | B5  | CC2         |
| A9  | VBUS        | B4  | VBUS        |
| A12 | GND         | B1  | GND         |
| PIN | SIGNAL NAME | PIN | SIGNAL NAME |

| 6   | SHELL           | STAINLESS STEEL          | NI/SN Plated | 1PCS    |     |
|-----|-----------------|--------------------------|--------------|---------|-----|
| 5   | SHIELDING PLATE | STAINLESS STEEL          | ---          | 1PCS    |     |
| 4   | MD              | HIGH TEMPERATURE PLASTIC | BLACK        | 1PCS    |     |
| 3   | CONTACT         | COPPER ALLOY             | Au/Ni Plated | 1SET    |     |
| 2   | CONTACT         | COPPER ALLOY             | Au/Ni Plated | 1SET    |     |
| 1   | HOUSING         | HIGH TEMPERATURE PLASTIC | BLACK        | 1PCS    |     |
| NO. | DESCRIPTION     | MATERIAL                 |              | REMARKS | QTY |

|        |        |      |        |                                |   |
|--------|--------|------|--------|--------------------------------|---|
| X.     | ±0.50  | X.*  | ± 2°   | UNITS<br>mm                    | 深圳市金航标电子有限公司<br>www.kinghelm.com.cn 0755-28190160 |
| .X     | ±0.30  | .X*  | ± 1°   |                                |   |
| .XX    | ±0.10  | .XX* | ± 0.5° | MAT'L                          | TITLE:<br>TYPE-C 16PIN 180度立式贴片SMT母座              |
| .XXX   | ± 0.05 |      |        |                                |   |
| FINISH |        |      |        | APPD:                          | DWG NO.:  |
| Q'TY   |        |      |        | CHKD:                          | KH-TYPE-C-L9.3-16P-STM                            |
| DR:    |        |      |        | SCALE/SHEET/REV.<br>1/1 1/1 A1 |   |