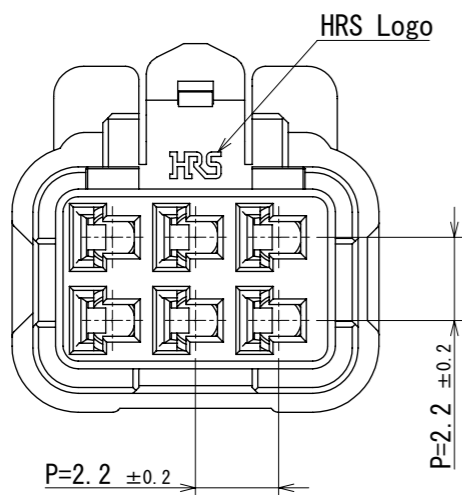
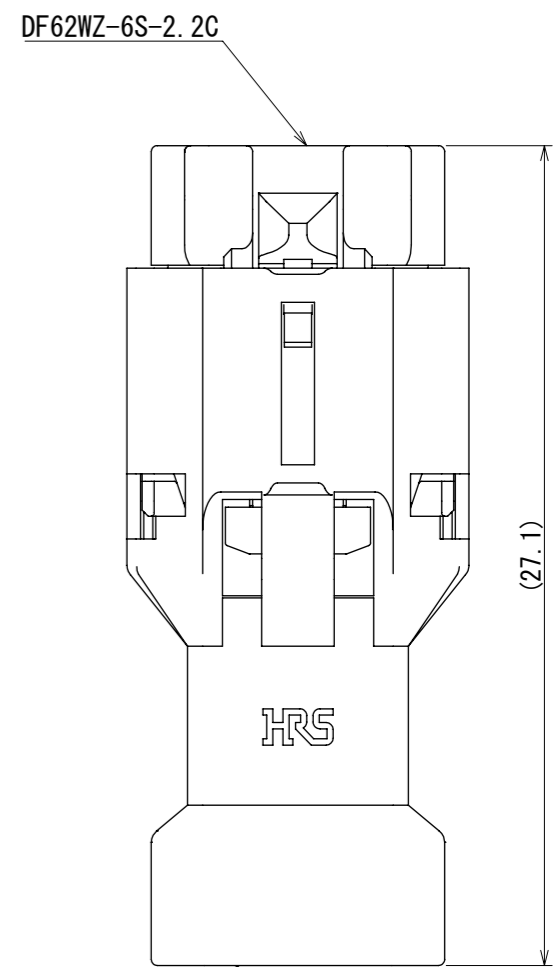
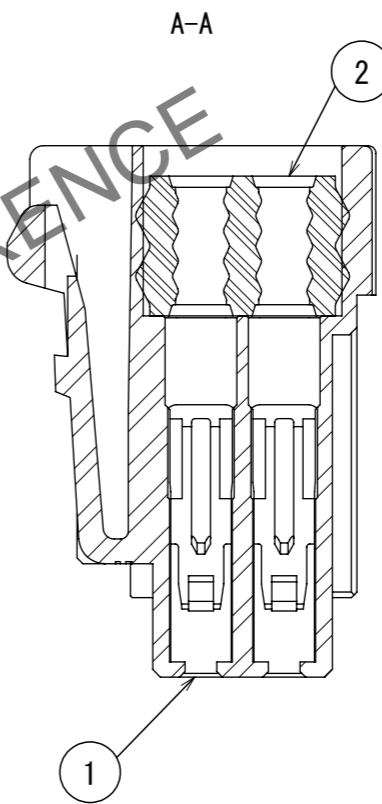
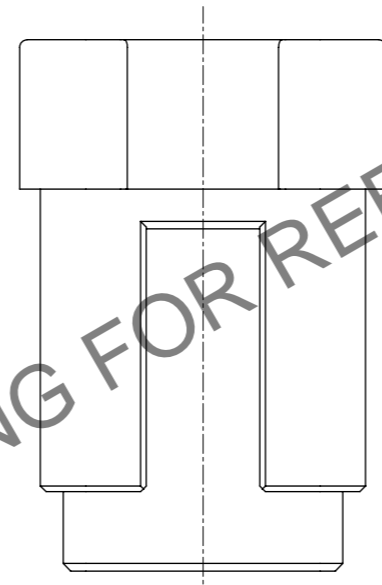
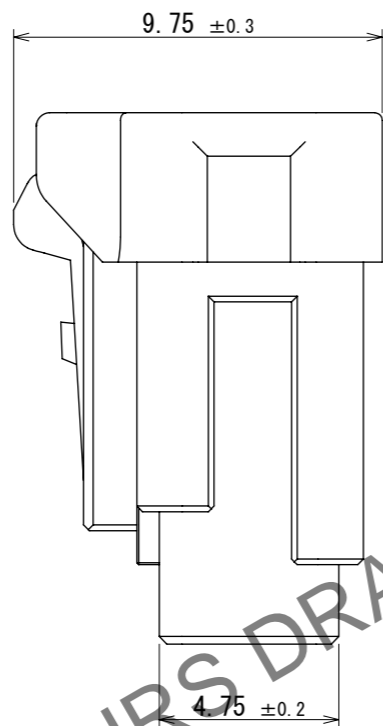
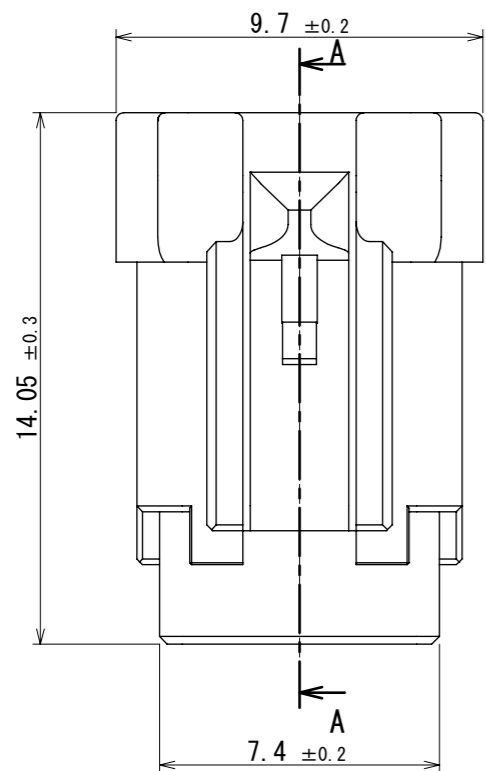
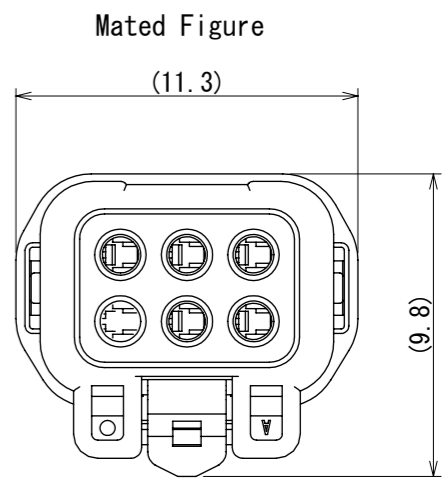
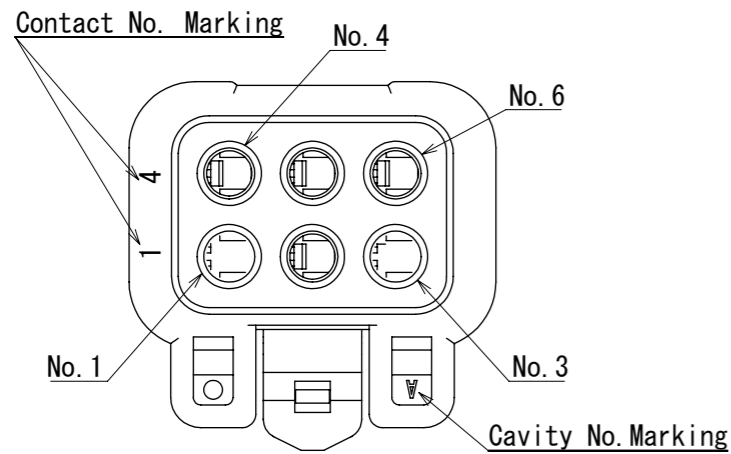


Feb.1.2026 Copyright 2026 HIROSE ELECTRIC CO., LTD. All Rights Reserved.
 In case of consideration for using Automotive equipment / device which demand high reliability, kindly contact our sales window correspondents.



Note. 1. 100 pcs./bag
 2. The dimensions in parenthesis are reference dimensions.
 3. Always refer to the manuals below for operation of this product.
 For cable assembly / Cable assembly procedure ETAD-H0760
 For mating, unmating / Operation manual ETAD-H0761
 For operation / Board-to-Wire Connector Guidelines ETAD-H1023

1	PBT	UL94V-0 (WHITE)	2	Silicone rubber	Bengala			
NO.	MATERIAL	FINISH, REMARKS	NO.	MATERIAL	FINISH, REMARKS			
UNITS		SCALE	COUNT	DESCRIPTION OF REVISIONS		DESIGNED	CHECKED	DATE
mm		5:1	△					
HIROSE ELECTRIC CO., LTD.		APPROVED : SJ. OKAMURA	2024. 07. 25	DRAWING NO.		EDC-403923-00-00		
		CHECKED : HT. SATO	2024. 07. 25	PART NO.		DF62WZ-6S-2.2C		
		DESIGNED : KI. SUGAWARA	2024. 07. 25	CODE NO.		CL0544-1105-0-00		
		DRAWN : KI. SUGAWARA	2024. 07. 25					