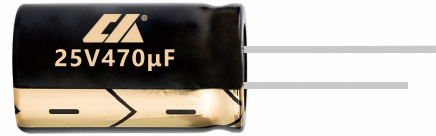


# CD26G Series

- Dedicated for LED drivers
- High performance, high reliability and high ripple current
- Endurance: 5000-8000 hours at 105°C
- Sleeve color: Gold Print in Black Sleeve



## Series Features:

Item	Characteristics											
Operating Temperature Range(°C)	- 40 ~ + 105						- 25 ~ + 105					
Voltage Range(V)	6.3 ~ 100						160 ~ 500					
Capacitance Range(µF)	1-6800											
Capacitance Tolerance (20°C, 120HZ)	±20%											
Leakage Current(µA) (20°C)	6.3~100V						160~500V					
	1 ≤ 0.01CV or 3 µ A, Whichever is greater(after 2 minutes)						1 ≤ 0.02CV + 15 µ A, (after 5 minutes)					
Dissipation Factor (20°C, 120HZ)	C:Nominal Capacitance(µF) V:Rated Voltage(V)											
	R.v.(v)	6.3	10	16	25	35	50	63	100	160 ~ 250	350 ~ 450	500
	Tan δ	0.22	0.19	0.16	0.14	0.12	0.10	0.09	0.08	0.15	0.2	0.24
When nominal capacitance exceeds 1,000 µ F, add 0.02 to the value above for each 1,000 µ F increase												
Stability at low Temperature (Impedance Ratio at 120Hz)	R.V.(V)		6.3	10	16	25 ~ 100	160 ~ 250	350 ~ 500				
	Z-25°C/Z+20°C		4	3	2	2	3	6				
	Z-40°C/Z+20°C		8	6	4	3	-	-				
Load Life (+ 105°C 5000-8000h)	The following specification shall be satisfied when the capacitors are restored to 20°C after subjected to DC Voltage with the rated ripple current is applied for 5000-8000h at 105°C.											
	Capacitance Change		Within ±30% of the initial measured Value. (160-500WV:±20%)						Life time			
	Dissipation Factor		≤200% of the initial specified Value						Φ5mm	≥Φ6.3mm		
	Leakage current		≤The initial specified value						5000h	8000h		
Shelf Life (+ 105°C 1000h)	The following specification shall be satisfied when the capacitors are restored to 20°C after exposing them for 1000h at 105°C without Voltage applied.											
	Capacitance Change		Within ±30% of the initial measured Value (160-500WV:±20%).									
	Dissipation Factor		≤200% of the initial specified Value									
	Leakage current		≤200% of the initial specified Value									

## Frequency Coefficient

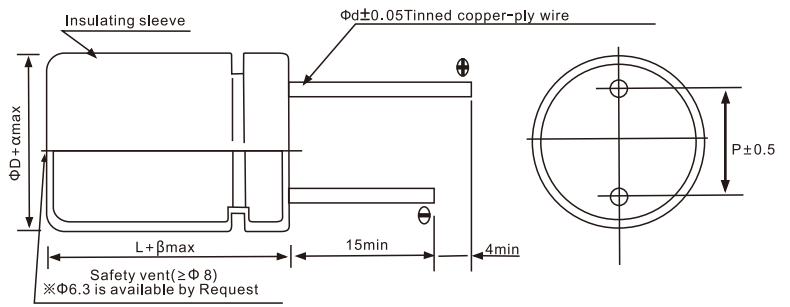
Cap.(µF) \ Freq.(HZ)	120	1K	10K	100K
CAP < 220	0.40	0.75	0.90	1.00
220 ≤ CAP < 680	0.50	0.85	0.94	1.00
680 ≤ CAP < 2200	0.60	0.87	0.95	1.00
2200 ≤ CAP < 4700	0.75	0.90	0.95	1.00
CAP ≥ 4700	0.85	0.95	0.98	1.00

## Temperature Coefficieng

Temperature (°C)	40	60	70	85	105
Factor	2.4	2.1	1.78	1.65	1

# CD26G Series

Dimensions (mm)										
ΦD	5	6.3	8	10	13	16	18	20	22	
P	2.0	2.5	3.5	5.0	5.0	7.5	7.5	10	10	
Φd	0.5	0.5	0.5	0.6	0.6	0.8	0.8	0.8	0.8	
β	1.0			2.0						
α					0.5					



Ratings																
R.V.(V)	6.3		10		16		25		35		50		63		80	
Freq.(HZ) Cap.(μF)	ΦDxL (mm)	Ripple Current (mAmps)	ΦDxL (mm)	Ripple Current (mAmps)	ΦDxL (mm)	Ripple Current (mAmps)	ΦDxL (mm)	Ripple Current (mAmps)	ΦDxL (mm)	Ripple Current (mAmps)	ΦDxL (mm)	Ripple Current (mAmps)	ΦDxL (mm)	Ripple Current (mAmps)	ΦDxL (mm)	Ripple Current (mAmps)
1											5×11	10				
2.2											5×11	19				
3.3											5×11	23				
4.7											5×11	28				
6.8											5×11	34				
10											5×11	38				
15											5×11	50	5×11	134		
22											5×11	186				
33									5×11	196			6.3×11	214		
47							5×11	192								
56									6.3×11	291	6.3×11	278	8×12	400		
68															10×13	386
82													8×16	532		
100			5×11	195			6.3×11	291	8×12	408	8×12	498			10×16	484
120					6.3×11	291					8×16	640	8×20	656	10×20	640
150	5×11	195			6.3×11	407			8×12	522	10×13	660	8×16	784	10×25	724
180											8×20	794	10×20	920		
220	6.3×11	244	6.3×11	294	6.3×12	464	8×12	522	8×16	673	10×16	914	10×25	1085	13×21	884
270									8×20	832	10×20	1043	13×21	1200		
330	6.3×11	293			8×12	522	8×16	671	10×16	950	10×25	1233	10×20	1400	13×25	1005
390							8×20	791					13×25	1520	13×30	1200
470	8×11	408	8×11	522	8×16	672	10×16	950	10×20	1201	13×21	1347	13×30	1845	13×35	1324
560							10×16	1075	10×25	1412	13×25	1578	13×35	2005	13×40	1444
680			8×16	673	8×20	836	10×20	1201	13×21	1546	13×30	1866	13×40	2244	16×30	1484
820	8×16	672	8×12	781	10×16	964	10×25	1412	10×20	1677	13×35	1930	18×25	2244	16×35	1605
1000	8×16	644	8×20	836	10×20	1201	13×21	1636	13×25	1809	16×25	1962	16×35	2324	16×40	1764
1200	8×20	835	10×20	1201	10×25	1412			13×30	2141			16×40	2724	18×40	2164
1500	10×20	1201	10×20	1425	13×20	1548	13×25	1809	13×35	2212			18×35	2724		
1800							13×30	2141					18×40	2804		
2200	10×20	1411	13×20	1546	13×25	1809	13×35	2212								
2700	10×25	1440			13×30	2138	16×25	2246								
3300	13×20	1546	13×25	1809	13×35	2212										
3900	13×25	1805	13×30	2138	16×25	2246										
4700	13×30	2141	13×35	2212												
5600	13×35	2176	16×25	2246												
6800	16×25	2250														

↑ Ripple Current (mAmps) at 105°C, 100KHZ



# CD26G Series

Ratings																
R.V.(V)	100		160		200		250		350		400		450		500	
Freq.(HZ) Cap.(µF)	ΦDxL (mm)	Ripple Current (mAms)	ΦDxL (mm)	Ripple Current (mAms)	ΦDxL (mm)	Ripple Current (mAms)	ΦDxL (mm)	Ripple Current (mAms)	ΦDxL (mm)	Ripple Current (mAms)	ΦDxL (mm)	Ripple Current (mAms)	ΦDxL (mm)	Ripple Current (mAms)	ΦDxL (mm)	Ripple Current (mAms)
1			6.3×9	26	6.3×12	31	6.3×12	33	6.3×12	46	6.3×12	52	8×12	49		
1.5			6.3×12	32	6.3×12	35	6.3×12	37	6.3×12	51	6.3×12	55	8×12	52		
1.8			6.3×12	36	6.3×12	38	6.3×12	40	6.3×12	54	6.3×12	59	8×12	58		
2.2			6.3×12	42	6.3×12	46	6.3×12	51	6.3×12	61	6.3×12	60	8×12	68		
2.8			6.3×12	44	6.3×12	50	6.3×12	54	8×12	68	8×12	74	8×12	74		
3.3			6.3×12	49	6.3×12	55	6.3×12	57	8×12	75	8×12	75	8×16	86		
4.7			6.3×12	52	6.3×12	61	6.3×12	62	8×12	77	8×12	76	8×20	93		
5.6			6.3×12	55			8×9	65	8×12	83	8×16	93	10×16	101		
6.8	5×11	83	8×12	65	8×12	74	8×12	72	8×16	106	10×12	106	10×16	119	13X21	174
8.2			8×12	74	8×12	77	8×12	77	8×20	123	10×20	151	10×20	151		
10			8×12	136	8×12	122	8×12	112	8×20	152	10×20	183	10×20	164	13X25	228
12											10×20	189			13X35	290
15	6.3×11	134	8×12	151	8×16	164	8×20	202	10×20	202	10×20	196	13×20	228		
22			8×16	221	10×16	259	10×16	260	13×20	279	13×20	253	13×25	292	18X25	363
27	8×12	227														
33			10×16	273	10×20	292	10×20	310	13×20	335	16×25	356	16×25	357	18X30	456
39	8×16	288													18X30	493
47	10×13	311	10×16	298	13×20	394	13×20	403	16×20	421	16×25	413	16×35	452	18X35	576
56	8×20	365									16×30	438			22X35	736
68	10×16	387	13×21	407	13×20	410	16×20	465	18×20	470	18×30	516	18×30	522	22X35	896
82	10×20	515	10×25						18×25	586						
100	13×16	483	13×25	464	16×20	474	16×25	516	16X30	614	18×35	599	18×40	612		
120	10×25	579	13×21													
150	13×20	707	16×25	548	16×30	579	16×30	600			18X40	819	18X45	704		
180																
220	13×25	803	16X25	627												
270	13×30	960														
330	13×25	1059	18X30													
390	13×40	1152														
470	16×30	1188														
560	16×35	1280														
680	16×40	1411														
820	18×40	1728														

↑  
Ripple Current (mAms)at105°C,100KHZ



# 东莞市创慧电子有限公司 DONGGUAN CHUANGHUI ELECTRONICS CO.,LTD

## 9. 包装说明 Packing instructions:

**9.1 先用塑料袋包装，然后再放置于包装箱中，具体包装数量请参照《创慧包装标准》** Pack with plastic bags, and then placed in a carton, please refer to 《Packing Standard》 for specific packing quantity.

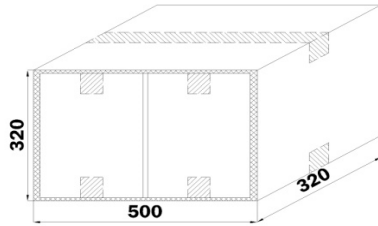
**9.2 包装标识：采用中性标签，注明客户名、订单号、料号、产品系列、规格、尺寸、数量、生产日期和生产批号** Label Marking: indicate customer name, purchase number, part number, product series, specifications, size, quantity, production date and lot number, shown as below.

## 9.3 包装图示 Packing Figure

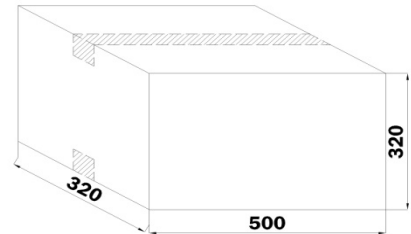
a) 标签 Label

<b>CH</b>		
订单号 P.O	创慧	CH221102053
料号 P/N	CETW-181A-000	
系列 series	CD288H	墨绿底金字   PET
规格 Spec	400V180uF	±20%
尺寸 Size	D18X25L	长脚
数量 Qty	50PCS	

b) 内箱 Inner Carton



c) 外箱 Outer Carton



## 10. 料号编码规则 Material number encoding rules :

<b>CD26LF1</b>	<b>2T</b>	<b>M</b>	<b>181</b>	<b>N45</b>	<b>0</b>	<b>I</b>
①系列 Series	②电压 Voltage	③容差 Capacitance Tolerance	④容量 Capacitance	⑤尺寸 Size	⑥成型 Finishing	⑦胶管 Sleeve

①系列 Series	CD110	CD288H	CD288L	CD26G	CD26M	CD26L	CD110L	NP	LL
	CD288S	CD26K	CD26C	CD293	CD294	CD296	CD133	CD134	CD136

②电压 V	4	6.3	10	16	25	35	50	63	80	100	120	140	160	180	200	250	315	350	400	420	450	460	500	550
代号 Code	OG	OJ	1A	1C	1E	1V	1H	1J	1K	2A	2B	2S	2C	2Z	2D	2E	2F	2V	2G	2J	2W	2T	2H	2L

③容差代码 code	J	K	M	W	T	Q	P
容差 C.T.	±5%	±10%	±20%	-0% ~ +20%	-10% ~ +20%	-20% ~ +30%	-15% ~ +20%

④容量 Cap.	0.1	0.22	0.3	0.47	1	2	3.3	4.7	6.8	10	22	33	47	68	100	220	330	3300	...
编码 Code	R10	R22	R33	R47	10	2R2	3R3	4R7	6R8	100	220	330	470	680	101	221	331	332	...

⑤尺寸														
直径 D	4	5	6	8	10	12.5	13	16	18	20	22	25	30	35
编码 Code	C	D	E	F	G	H	K	L	M	N	O	P	Q	R
高度 H	5	7	11	12	13	16	18	20	27	25	30	35	45	
编码 Code	5	7	11	12	13	16	18	20	27	25	30	35	45	

⑥成型 Finishing	散装 Bulk	编带 Taping P=5.0	编带 Taping P=2.5	剪脚 Cut Lead L=3.5	K脚剪脚 L=4.5	S脚剪脚 L=4.5	卧式 H01=4.0	卧式 H02=4.0	贴片 SMD
编码 Code	0	TP5	TP25	C35	K45	S45	H140	H240	S

⑦胶管 Sleeve	PVC	PET
编码 Code	C	T