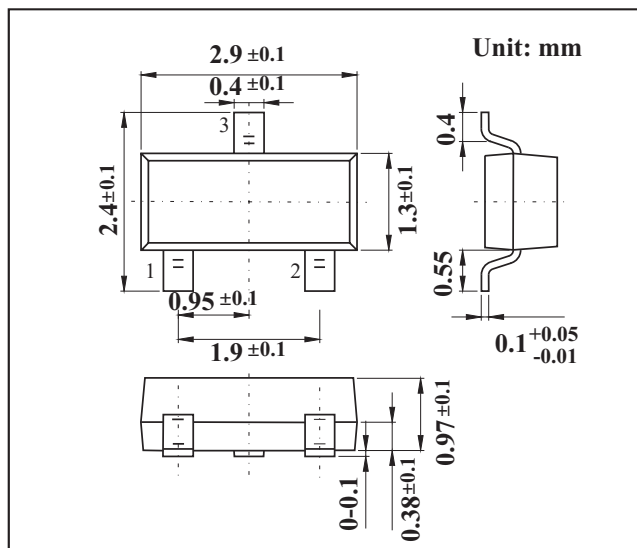


SOT-23 Small-Signal Switching Diodes
Features

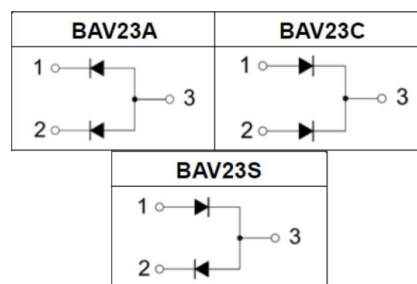
- SOT23 Package
- Epoxy meets UL-94 V-0 flammability rating and halogen free
- Moisture Sensitivity Level 3
- High temperature soldering guaranteed 260°C/10seconds at terminals

Applications

- Extreme fast switches
- Automotive


Package Marking and Ordering Information

Product ID	Pack	Marking	Qty(PCS)
BAV23A	SOT-23	KT7	3000
BAV23C	SOT-23	KT6	3000
BAV23S	SOT-23	KL31	3000



Absolute Maximum Ratings (Ta=25°C unless otherwise noted)

Parameter	Symbols	Value	Units
反向电压 Reverse Voltage	VR	200	V
反向峰值电压 Maximum Repetitive Reverse Voltage	VRRM	250	V
功率消耗 Power Dissipation	Pd	350	mW
正向电流 Forward Current	IF(AV)	400	mA
正向(不重复)浪涌电流 Non-Repetitive Peak Forward Surge Current @t=8.3ms; TA=25°C	IFSM	1.7	A
工作结温 Operating junction temperature	Tj	150	°C
存储温度 Storage temperature range	Ts	-55+150	°C
热阻抗 Thermal Resistance from Junction to Ambient	RθJA	357	°C/W

Electrical Characteristics (Ta=25°C, unless otherwise noted)

Parameter	Symbol	Conditions	Min.	Max.	Unit
反向电压 Reverse Voltage	V(BR)	IR=100uA	250		V
反向漏电流 Reverse Leakage Current	IR	VR=250V	---	0.1	uA
正向电压 Forward Voltage	VF	IF=100mA	---	1.00	V
		IF=200mA	---	1.25	
反向恢复时间 Reverse Recovery Time	TRR	IF= IR=30mA	---	50	nS
		RL=100Ω			
		IRR=0.1 X IR			
结电容 Capacitance	CT	VR=0V, f=1MHZ	---	5	pF

Typical Characteristics

