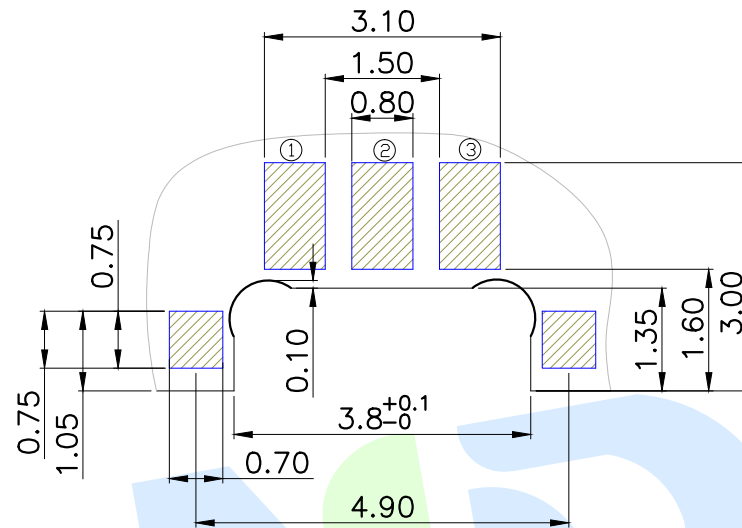
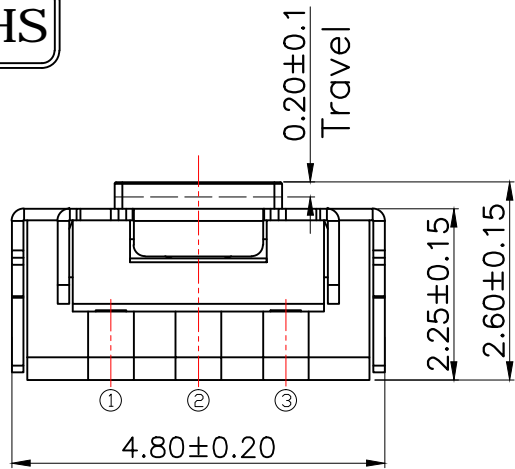
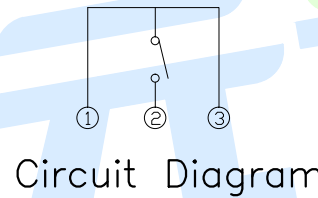
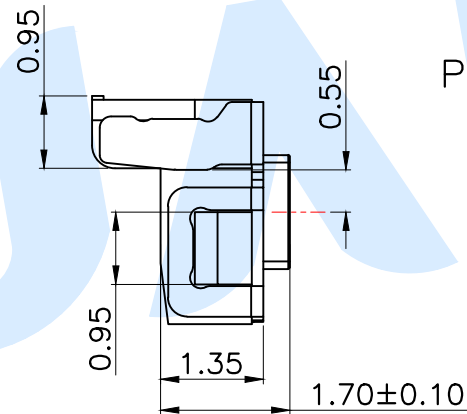
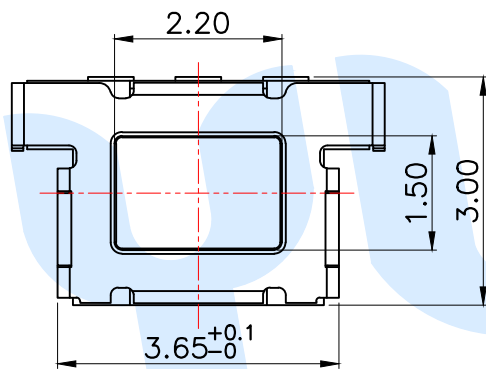


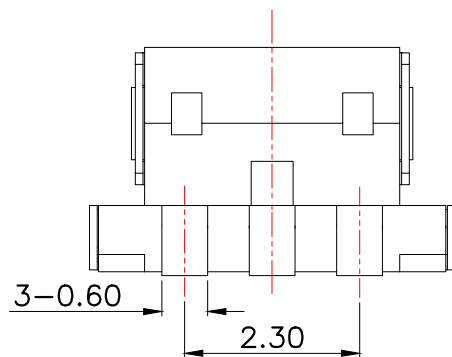
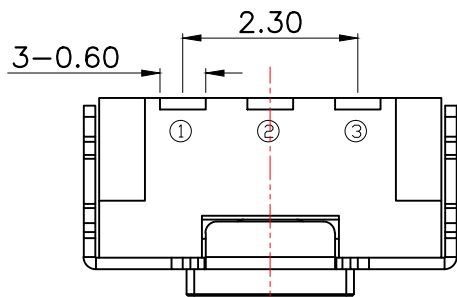
RoHS



PCB Layout (Pattern side)



Circuit Diagram



| SHRAPNEL | |
|----------|--------------|
| CODE | MATERIAL/QTY |
| D2 | SUS/1PCS |
| D4 | SUS/2PCS |

| OPERATING FORCE | |
|-----------------|----------|
| CODE | VIGOR |
| B2 | 180±50gf |
| B3 | 250±50gf |

| NO. | Name | Number | Qty | Material | Remarks |
|-----|-----------|--------|-----|-----------------|-----------|
| Ⓕ | Dust film | | 1 | Polyimide tape | |
| Ⓖ | Terminal | | 3 | Phosphor bronze | Silvering |
| Ⓓ | Reed | | 2 | SUS | Silvering |
| Ⓒ | Base | | 1 | LCP | Black |
| Ⓑ | Cover | | 1 | Phosphor bronze | Silvering |
| Ⓐ | Button | | 1 | LCP | Black |

YUANDI® Yuandi Electronics Co., Ltd

| | | | |
|----------|------|-------|--------------|
| design | date | name | TACT SWITCHS |
| Review | date | model | TS-1061-B□D□ |
| Approved | date | | |

Drawing number: Tolerance not specified Proportion 1:1 unit mm gage number A4

modify Review Approved