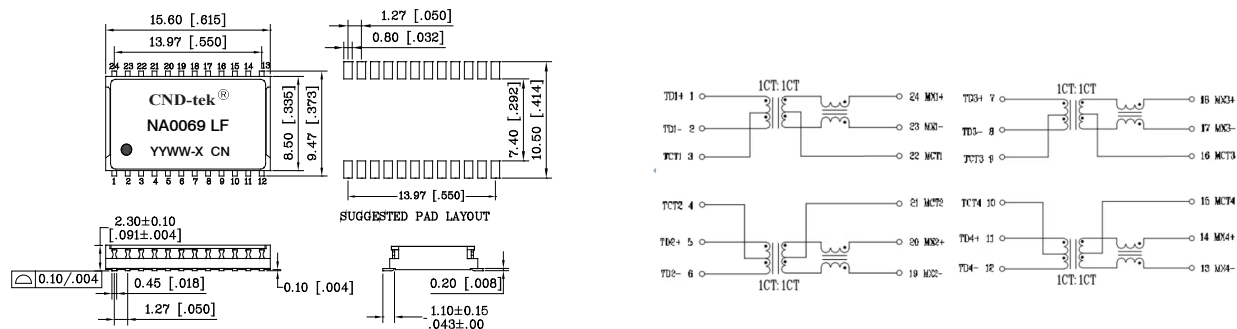


- Compatible with various 100/1000Base-TX transceiver requiring 1:1 transmit and receive turns ratio
- Compliant with IEEE 802.3ab standard including baseline wander compensation specification of 350μH OCL when Biased at 8mA
- Low profile Surface Mount Packaging designed for Hi-Temp Reflow Process
- Single channel interface for 10/100Mbps Ethernet applications with CMC's tuned to Enhance EMC system performance
- Operating Temperature range: -40 °C TO +85 °C
- Storage temperature range: -40 °C TO +125 °C



## DIMENSIONS & SCHEMATICS

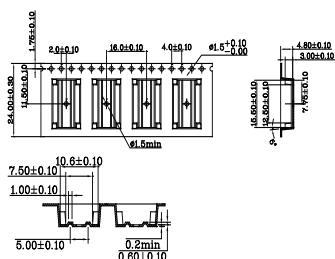


Note: 1、Dimension: inches/mm 2.Unless otherwise specified,tolerances are: ± 0.15mm

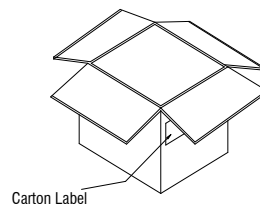
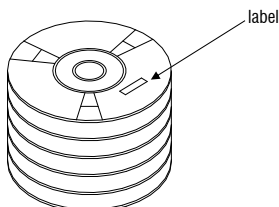
## TECHNICAL SPECIFICATIONS

OCL :	350 μH Min. @ 100 KHz, 0.1V with 8mA DC Bias
Leakage	0.5 μH Max. @ 100KHz, 0.1V
Inductance: Cw/w:	28pF Max. @ 100KHz, 0.1V
DCR:	1.00 Ω Max.
Turns Ratio(±2%):	1CT:1CT
Insertion Loss:	-1.0 dB Max. @ 1-100MHz
Return Loss:	-16dB Min.@ 1-40 MHz -(10-20 log <sub>10</sub> (f/80))dB Min.@ 40-100 MHz
Cross Talk:	-42 dB Min.@ 1-60MHz -35 dB Min.@ 60-100MHz -40 dB Min.@ 1-30MHz
Common Mode Rejection :	-35 dB Min.@ 60 MHz -30 dB Min.@ 80-100 MHz
Isolation HI-POT:	1500Vrms

## PACKING SPECIFICATION



- units/reel:1100PCS
- reel/carton:5PCS
- units/carton :5500PCS



EXPORT CARTON:367(L)x337(W)x235(H)