



SK3530U

GPS L1/L5, Dual SAW Filter
1in 1out / 1411

Rev 1.1

MSL 3 Device



- Electrical Characteristics
 - Package Dimensions
 - Testing Environment
 - Frequency Characteristics
-

□ Electrical Characteristics

Maximum Ratings

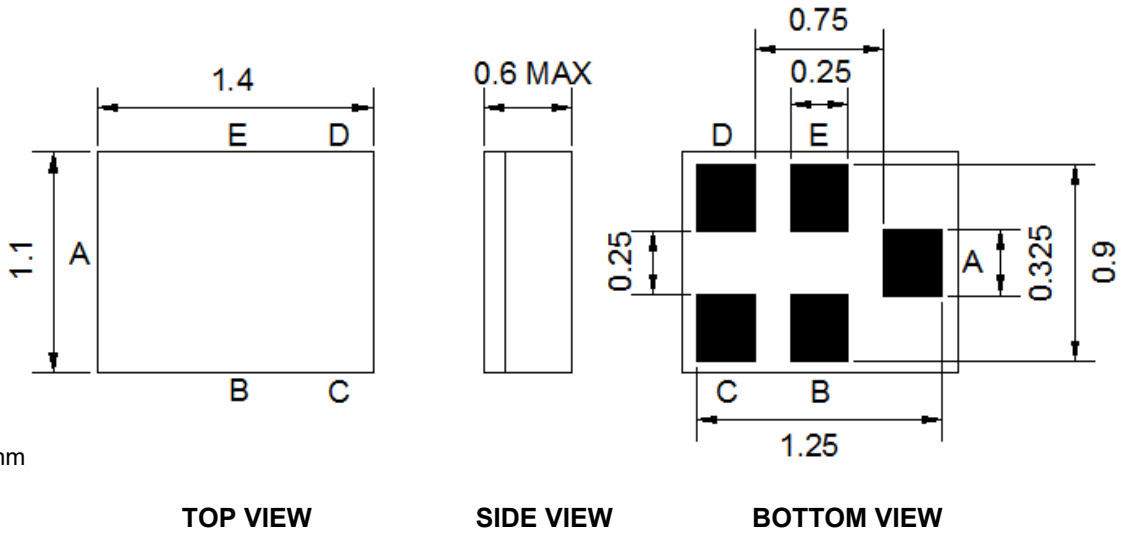
Parameters Description	Unit	Minimum	Typical	Maximum
Operation Temperature Range	°C	-30	-	+85
Storage Temperature Range	°C	-40	-	+105
Maximum DC Voltage	V	-	-	3
Maximum Input Power	dBm	-	-	10
Source Impedance(single ended)	Ω	50		
Load Impedance(single ended)	Ω	50		
Length x Width	mm ²	1.4 x 1.1		
Height	mm	-	-	0.6

□ Electrical Characteristics

Electrical Specification

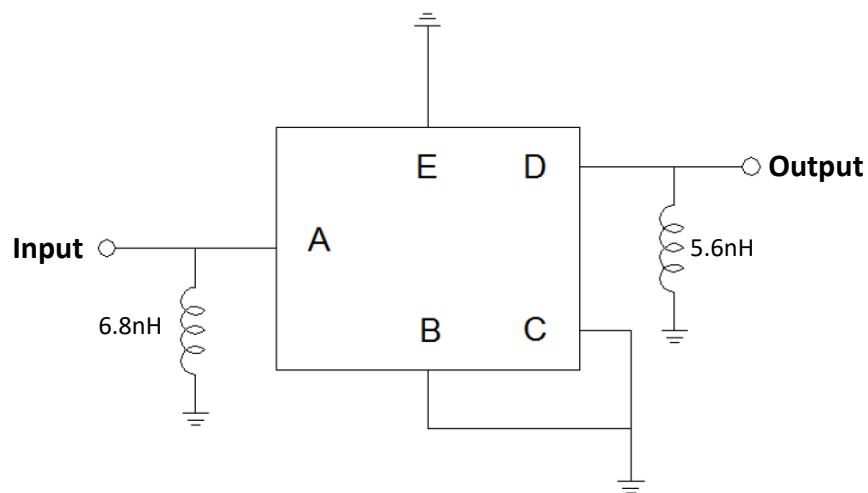
GPS L1 Band		Specifications			
Parameters Description	Condition [MHz]	Unit	Minimu	Typical	Maximum
Insertion Loss	1559.0 ~ 1606.0	dB	-	3.0	3.5
Amplitude Ripple	1559.0 ~ 1606.0	dB	-	0.8	1.5
VSWR	1559.0 ~ 1606.0	-	-	1.8	2.3
Attenuation	100.0 ~ 1080.0	dB	25	32	-
	1080.0 ~ 1130.0	dB	20	24	-
	1230.0 ~ 1510.0	dB	25	28	-
	1710.0 ~ 2000.0	dB	28	40	-
	2000.0 ~ 3000.0	dB	25	38	-
GPS L5 Band		Specifications			
Parameters Description	Condition [MHz]	Unit	Minimum	Typical	Maximum
Insertion Loss	1164.0 ~ 1189.0	dB	-	2.1	3.0
Amplitude Ripple	1164.0 ~ 1189.0	dB	-	0.6	1.5
VSWR	1164.0 ~ 1189.0	-	-	1.9	2.5

Package Dimensions



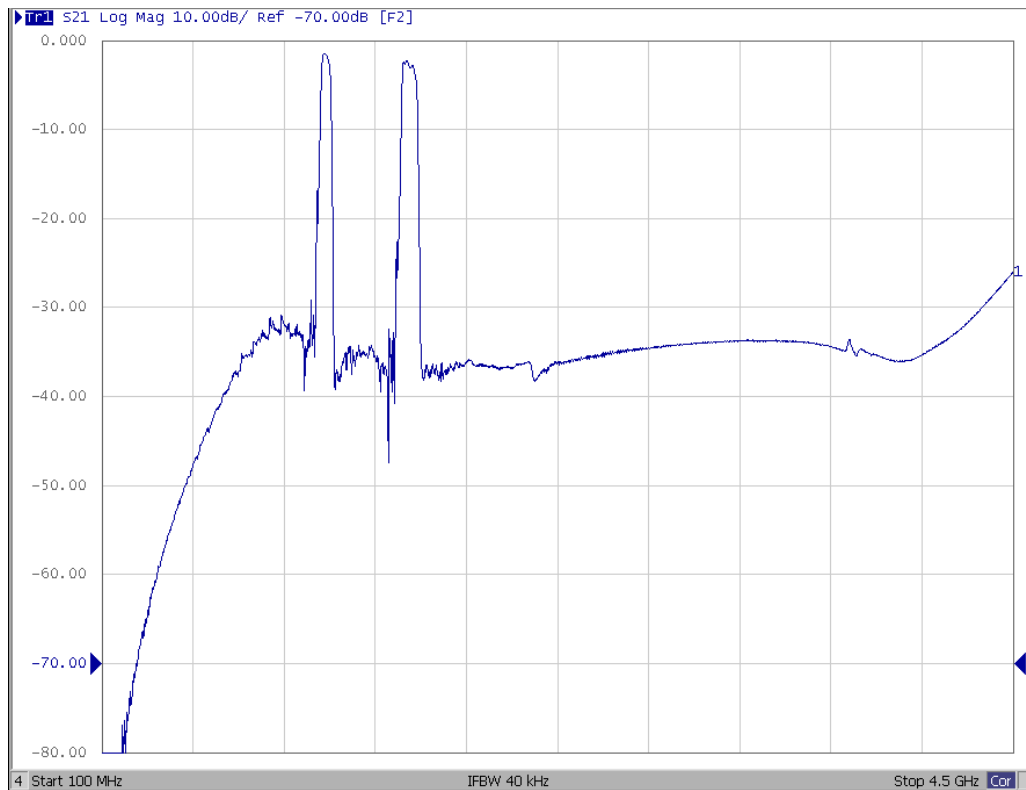
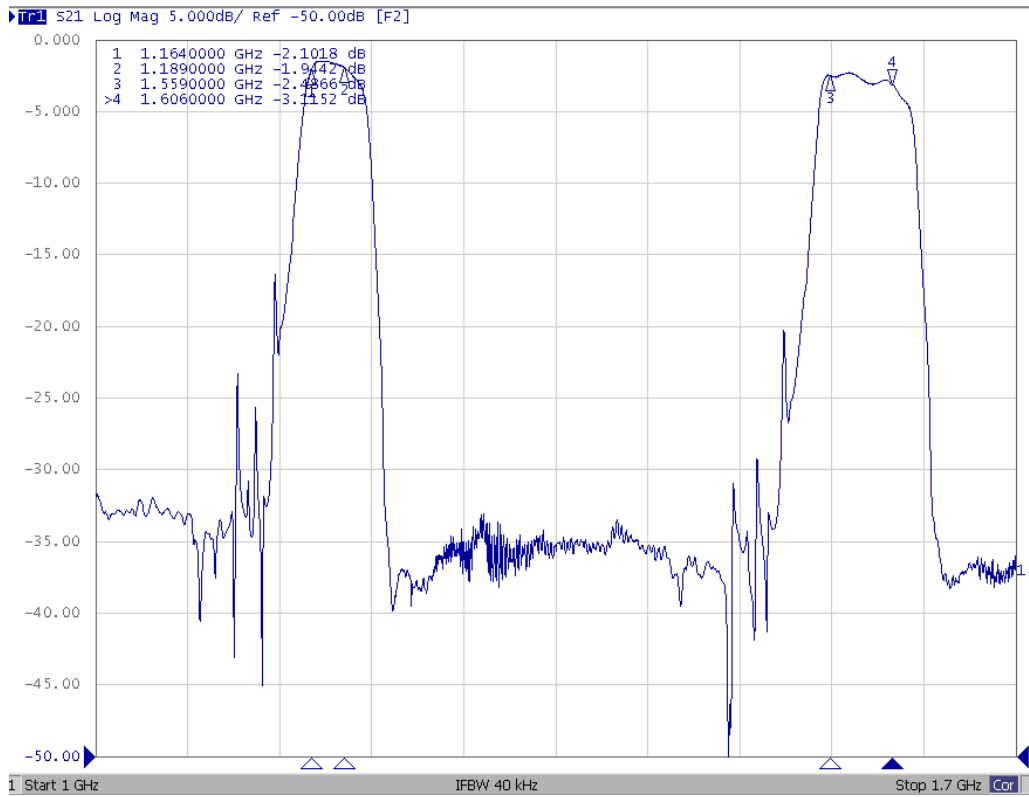
Pin Description	
A	Input
D	L1+L5 Output
B, C, E	Ground

Testing Environment

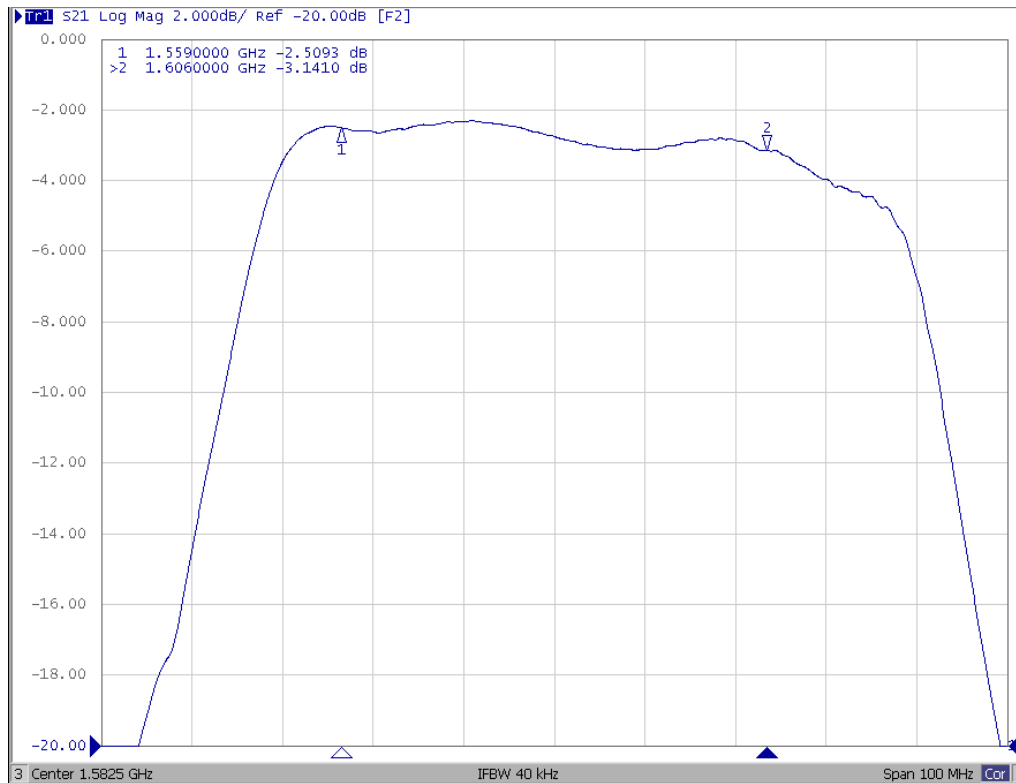
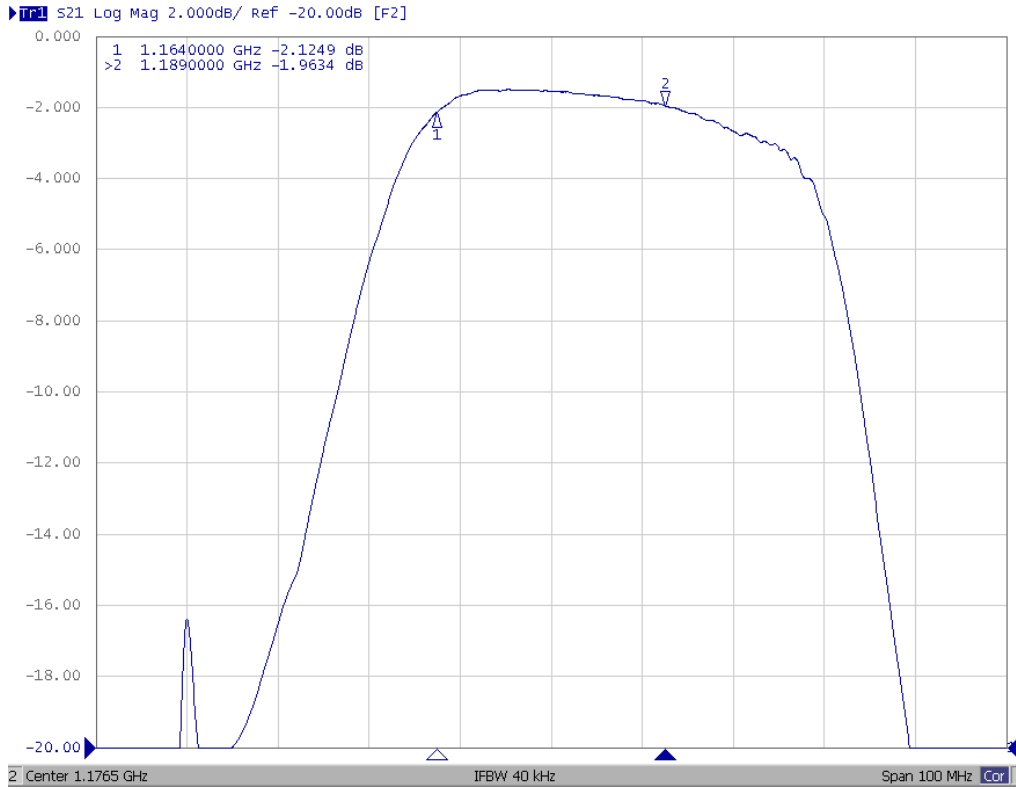


Source & Load Impedance: 50 Ω

□ Frequency Characteristics



□ Frequency Characteristics



□ Frequency Characteristics

