

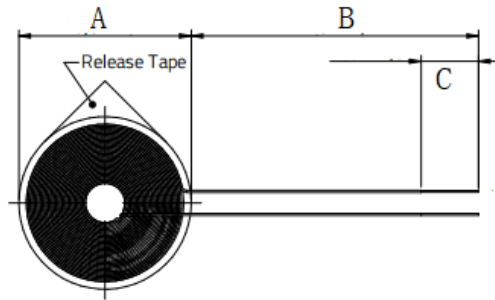
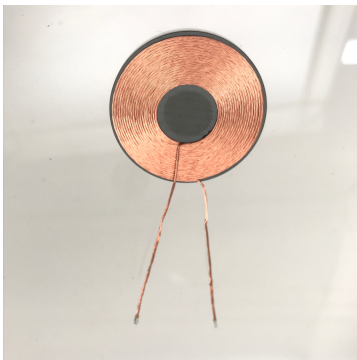
YX-A11-R332008-G2440



APPLICATIONS

- Cross outlet
- Coil attached square diskette, size: 33mm
- Double-sided magnetic tape
- Attach the coil to double-sided tape Double
- line tinning

SHAPE & DIMENSIONS



Symbol	A	B	C
Value(mm)	33.5±0.5	40±2	3.0±2

AIR COIL SPECIFICATIONS

Number of Coils	Wire Diameters	Turns Ratio
1	∅:0.08*24P	20TS

MAXIMUM RATINGS

Operating Temperature / Humidity	Storage Temperature / Humidity
-40 to +85°C / 10 to 65% R.H.	-25 to +125°C / 10 to 65% R.H.

ELECTRICAL CHARACTERISTICS

OCL [100kHz 0.1V] (μH)	DCR [100kHz 0.1V] (mΩ)	WPC Compliant
16.8± 10%	260max.	Yes

PACKAGING : Bagging

Dimensions (mm)		Quantity (pcs)	
Tray	—	Qty per tray	—
Small carton	320x320x55	Qty per small carton	300
Outer carton	350x350x180	Qty per outer carton	2000

OTHERS

Weight (g) typ.	5..90
-----------------	-------