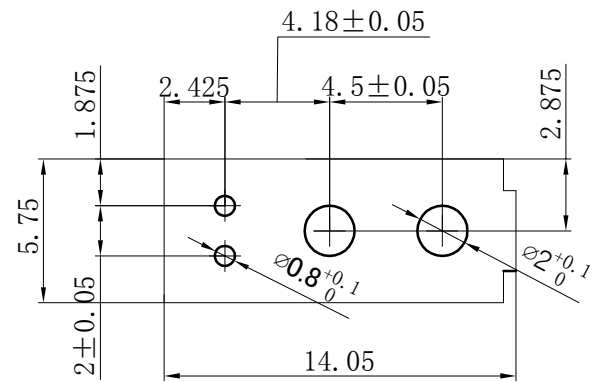
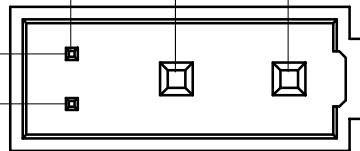
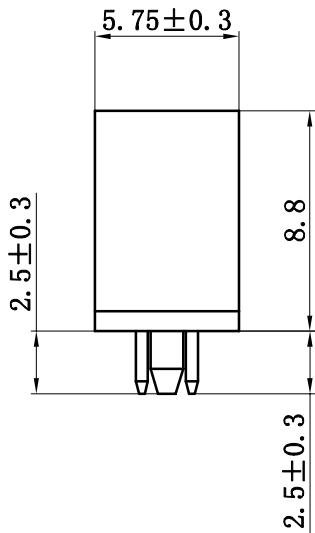
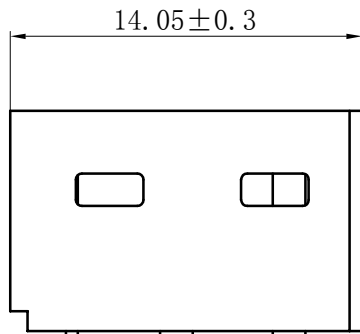
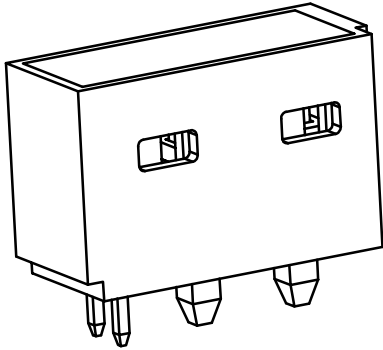
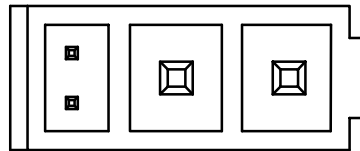


REV.	REVISION DESCRIPTION	DATE	APPD

NOTES:

- Rated voltage: 250V AC/DC
- Rated current: □ 0.5PIN 2A AC/DC  
□ 1.3PIN 20A AC/DC (AWG#16)
- Contact resistance: □ 0.5PIN  $\leq 20 \text{ m}\Omega$   
□ 1.3PIN  $\leq 1 \text{ m}\Omega$
- Insulation resistance:  $\geq 1000 \text{ M}\Omega$
- Withstand voltage: 800V AC/minute
- Ambient temperature:  $-40^\circ\text{C} \sim +105^\circ\text{C}$
- Material: LCP UL94V-0.
- Pin Materials: Copper alloy / Gold-Plated.



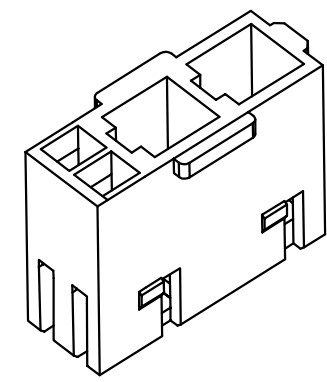
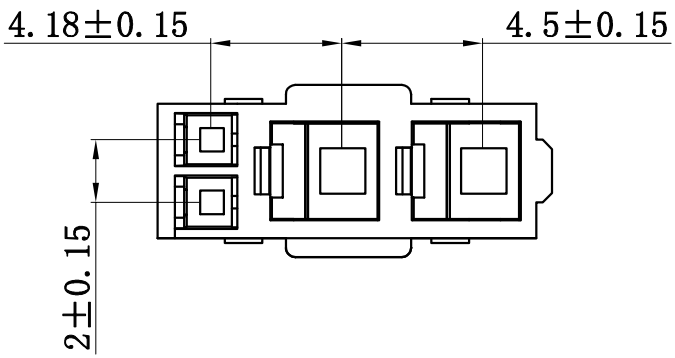
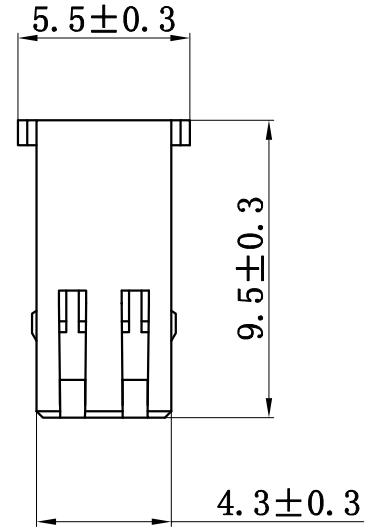
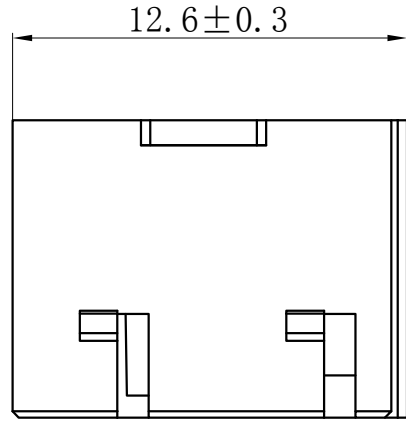
P. C. B LAYOUT

GENERAL TOLERANCES (UNLESS SPECIFIED)		ZHE JIANG DELI CONNECTORS CO., LTD	
.X: ± 0.25	X°: ± 3.0°	PRODUCT NAME:	TITLE: 4.5...2mm Pitch Wire To Board Wafer
.XX: ± 0.15	.X°: ± 2.0°	<b>QADC-4AN</b>	
.XXX: ± 0.01	.XX°: ± 1.0°	DR: Chen Quan Long	DATE: 25/8/1
FINISH:		CHKD: Wu Hui	DATE: 25/8/1
DRAWING NO:		APPD: Ren An De	DATE: 25/8/1
		SCALE: N/A	PAGE: 1/1
		UNITS: mm	REV.: A

REV.	REVISION DESCRIPTION	DATE	APPD

NOTES:

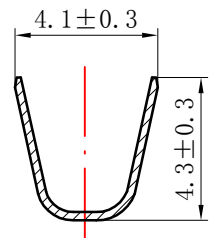
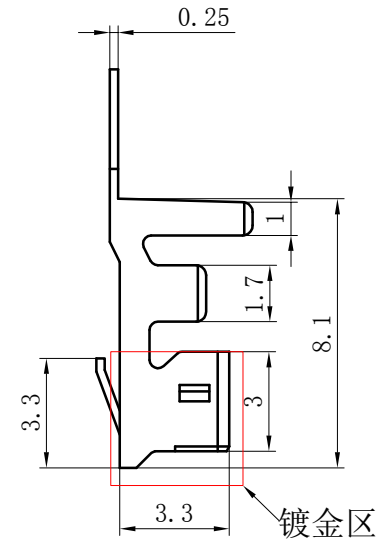
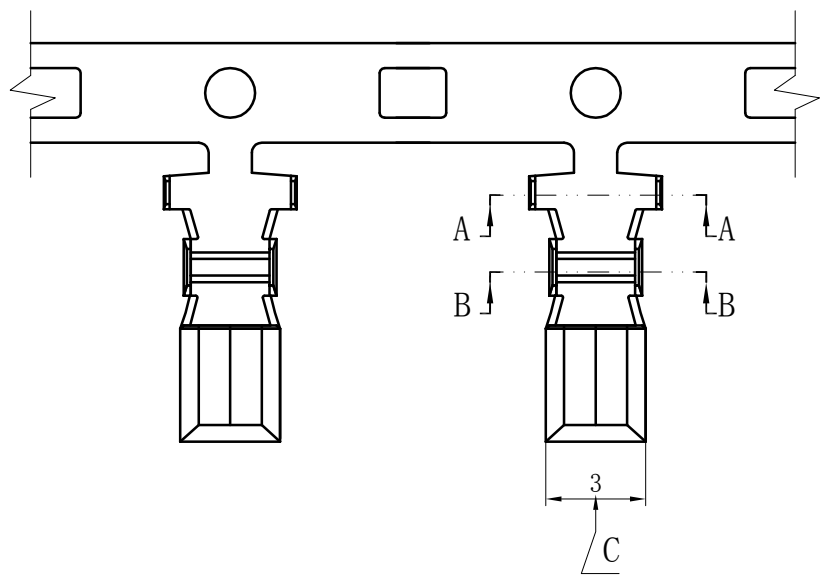
1. Rated voltage: 250V AC.DC
2. Rated current: □0.5PIN 2A AC DC  
□1.3PIN 20A AC DC (AWG#16)
3. Contact resistance: □0.5PIN ≤ 20 mΩ  
□1.3PIN ≤ 1 mΩ
4. Insulation resistance: ≥ 1000 MΩ
5. Withstand voltage: 800V AC/minute
6. Ambient temperature: -40°C ~ +105°C
7. Material : PA66 UL94V-0 750°C.
8. Matched RoHS criteria



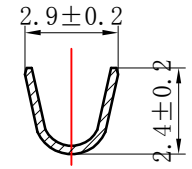
GENERAL TOLERANCES (UNLESS SPECIFIED)		ZHE JIANG DELI CONNECTORS CO., LTD	
.X: ± 0.25	X°: ± 3.0°	PRODUCT NAME: <b>QADC-4YN</b>	TITLE: 4.5...2mm Pitch Housing
.XX: ± 0.15	.X°: ± 2.0°	DR: Chen QuanLong	DATE:25/8/1
.XXX: ± 0.01	.XX°: ± 1.0°	DATE:25/8/1	PART NO:
FINISH:		CHKD: Wu Hui	DATE:25/8/1
DRAWING NO:		APPD: Ren An De	DATE:25/8/1
		SCALE: N/A	PAGE: 1/1
		UNITS: mm	REV.: A

REV.	REVISION DESCRIPTION	DATE	APPD

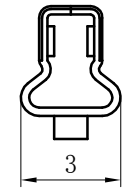
NOTES:  
 Rated voltage: 250V AC.DC  
 Rated current: 20A AC DC(AWG#16)  
 Contact resistance:  $\leq 1 \text{ m}\Omega$   
 Insulation resistance:  $\geq 1000 \text{ M}\Omega$   
 Withstand voltage: 800V AC/minute  
 Ambient temperature:  $-40^\circ\text{C} \sim +105^\circ\text{C}$   
 Wire range: AWG#20~#16  
 Materials: Copper alloy, Gold plated



SECTION A-A



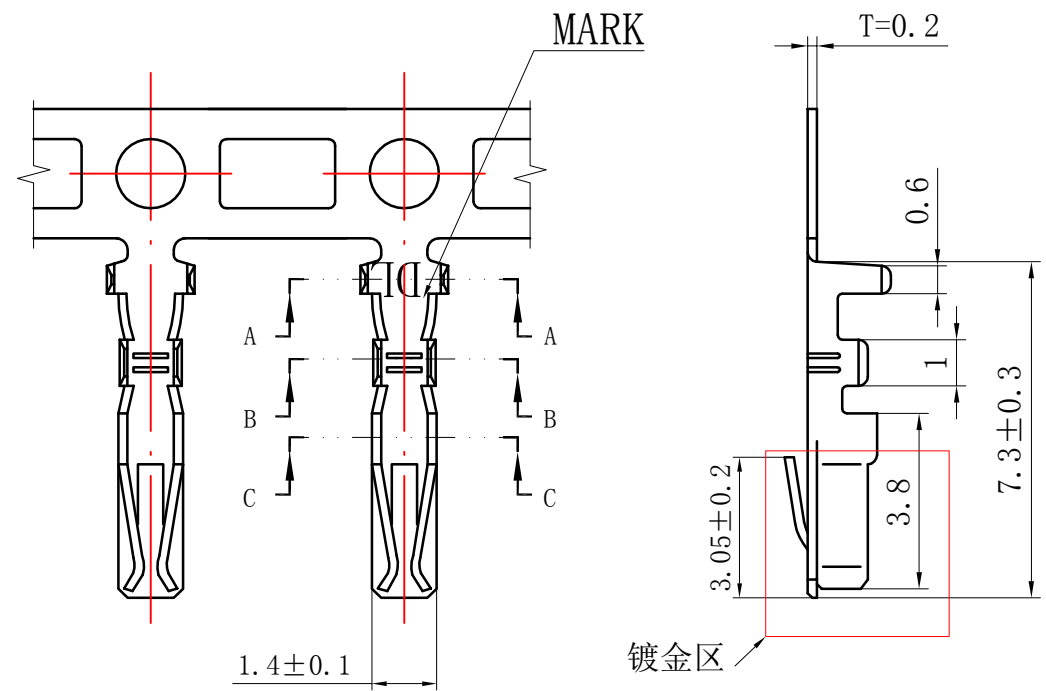
SECTION B-B



C向

GENERAL TOLERANCES (UNLESS SPECIFIED)		ZHE JIANG DELI CONNECTORS CO., LTD	
.X: $\pm 0.25$	X°: $\pm 3.0^\circ$	PRODUCT NAME: <b>QADC-T</b>	TITLE: 4.5 mm Pitch Crimp Terminal
.XX: $\pm 0.15$	.X°: $\pm 2.0^\circ$	DR: Chen Quan Long	DATE: 25/08/01
.XXX: $\pm 0.01$	.XX°: $\pm 1.0^\circ$	APPD: Ren An De	DATE: 25/08/01
FINISH:		CHKD: Wu Hui	DATE: 25/08/01
DRAWING NO:		SCALE: N/A	PAGE: 1/1
		UNITS: mm	REV.: A

REV.	REVISION DESCRIPTION	DATE	APPD



NOTES:

Rated voltage: 250V AC.DC

Rated current: 20A AC DC (AWG#16)

Contact resistance:  $\leq 20 \text{ m}\Omega$

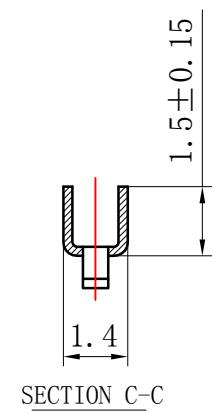
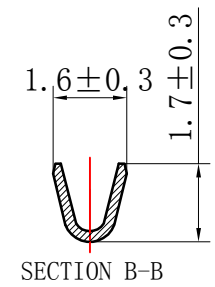
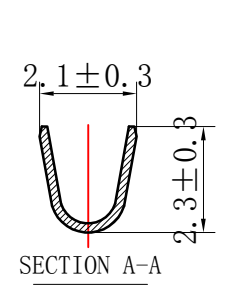
Insulation resistance:  $\geq 1000 \text{ M}\Omega$

Withstand voltage: 800V AC/minute

Ambient temperature:  $-40^\circ\text{C} \sim +105^\circ\text{C}$

Wire range: AWG#28~#22

Materials: Copper alloy, Gold plated



GENERAL TOLERANCES (UNLESS SPECIFIED)		ZHE JIANG DELI CONNECTORS CO., LTD	
.X: $\pm 0.25$	X°: $\pm 3.0^\circ$	PRODUCT NAME:	TITLE:
.XX: $\pm 0.15$	.X°: $\pm 2.0^\circ$	QADC-TX	2.0 mm Pitch Crimp Terminal
.XXX: $\pm 0.01$	.XX°: $\pm 1.0^\circ$	DR:Chen Quan Long	DATE:25/08/01
FINISH:		CHKD: Wu hui	DATE:25/08/01
DRAWING NO:		APPD:Ren An De	DATE:25/08/01
		SCALE: N/A	PAGE: 1/1
		UNITS: mm	REV.: A