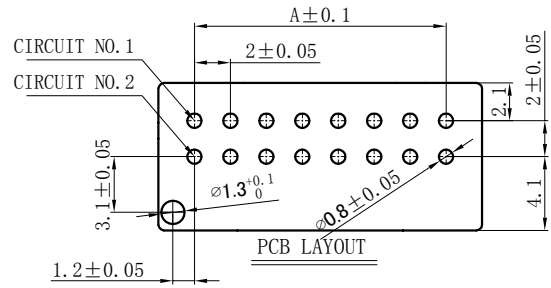
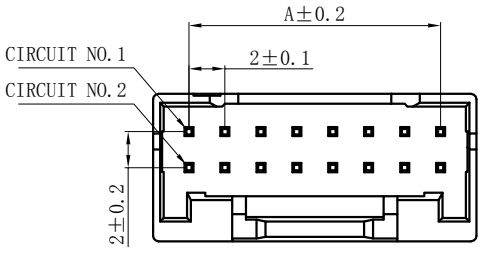
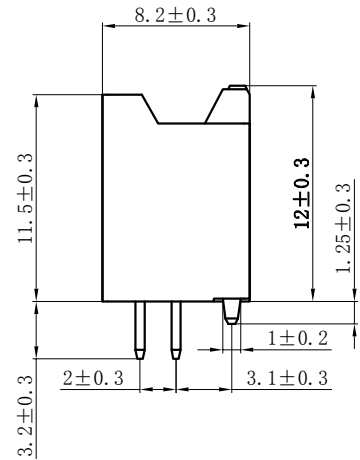
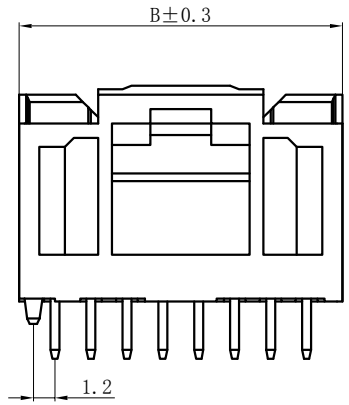
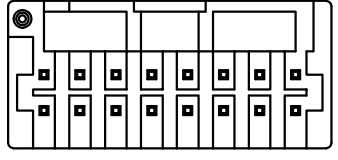
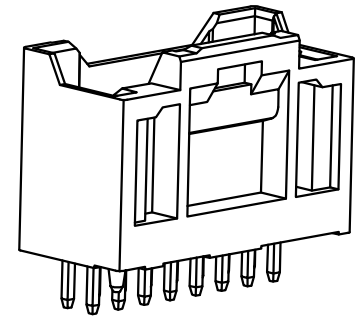


REV.	REVISION DESCRIPTION	DATE	APPD



NOTES:

1. Rated voltage: 250V AC/DC
2. Rated current: 2A AC DC MAX
3. Contact resistance:  $\leq 20 \text{ m}\Omega$
4. Insulation resistance:  $\geq 1000 \text{ M}\Omega$
5. Withstand voltage: 1000V AC/minute
6. Ambient temperature:  $-40^\circ\text{C} \sim +105^\circ\text{C}$
7. Material : Nylon UL94V-0(2)
8. Pin Materials : Brass/Tin-Plated.



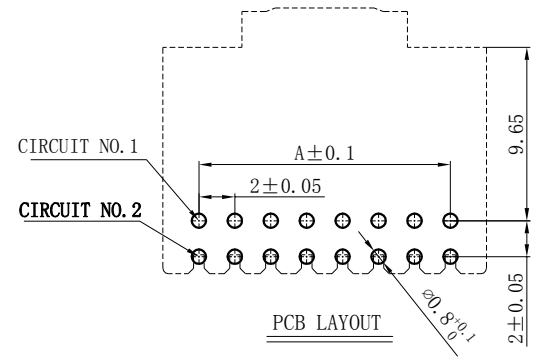
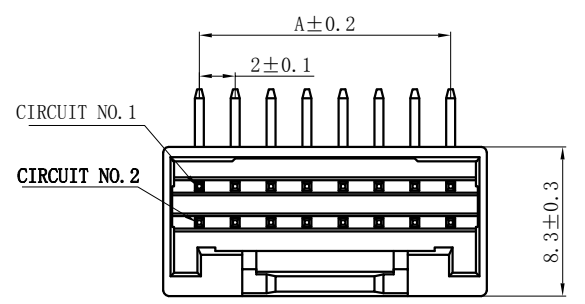
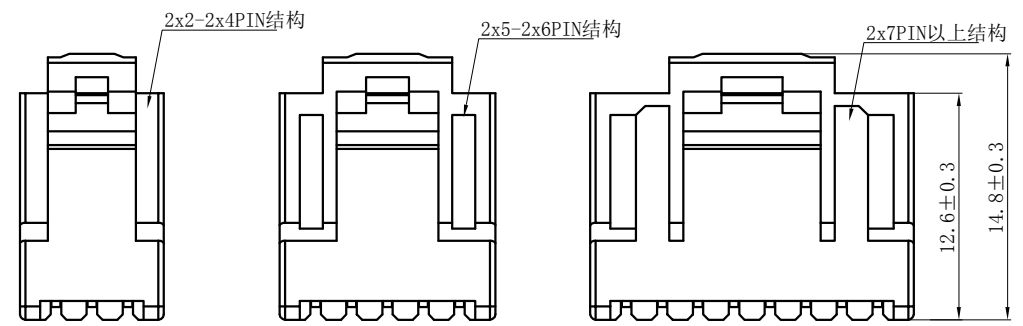
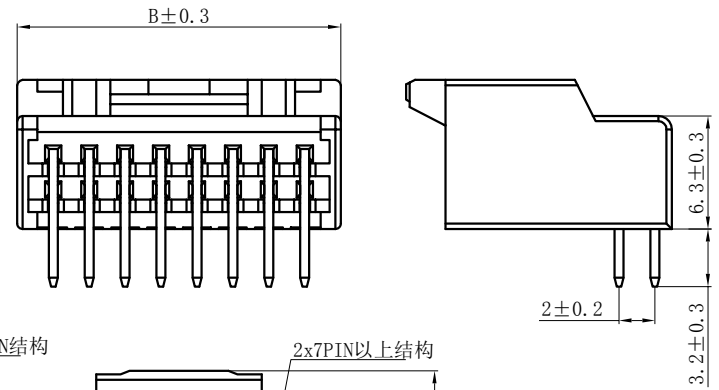
Circuits	Product name	Dimension mm		Circuits	Product name	Dimension mm	
		A	B			A	B
2X2	PAC-4AS	2.00	6.00	2X10	PAC-20AS	18.00	22.00
2X3	PAC-6AS	4.00	8.00	2X11	PAC-22AS	20.00	24.00
2X4	PAC-8AS	6.00	10.00	2X12	PAC-24AS	22.00	26.00
2X5	PAC-10AS	8.00	12.00	2X13	PAC-26AS	24.00	28.00
2X6	PAC-12AS	10.00	14.00	2X14	PAC-28AS	26.00	30.00
2X7	PAC-14AS	12.00	16.00	2X15	PAC-30AS	28.00	32.00
2X8	PAC-16AS	14.00	18.00	~	~	~	~
2X9	PAC-18AS	16.00	20.00	2X20	PAC-40AS	38.00	42.00

GENERAL TOLERANCES (UNLESS SPECIFIED)		浙江德利接插件有限公司 ZHE JIANG DELI CONNECTORS CO., LTD	
.X: ± 0.25	.X°: ± 3.0°	PRODUCT NAME: DL20044 (PAC)-AS	TITLE: 2.00 mm Pitch Wire To Board Wafer
.XX: ± 0.15	.X°: ± 2.0°	DR: Chen Quan Long	DATE: 24.08.19
.XXX: ± 0.01	.XX°: ± 1.0°	CHKD: Wu Hui	DATE: 24.08.19
FINISH:		APPD: Ren An De	DATE: 24.08.19
DRAWING NO:		UNITS: mm	SCALE: N/A
			PAGE: 1/1
			REV.: A

REV.	REVISION DESCRIPTION	DATE	APPD

NOTES:

1. Rated voltage: 250V AC.DC
2. Rated current: 2A AC DC MAX
3. Contact resistance:  $\leq 20 \text{ m}\Omega$
4. Insulation resistance:  $\geq 1000 \text{ M}\Omega$
5. Withstand voltage: 1000V AC/minute
6. Ambient temperature:  $-40^{\circ}\text{C} \sim +105^{\circ}\text{C}$
7. Material : Nylon UL94V-0(2)
8. Pin Materials : Brass/Tin-Plated.



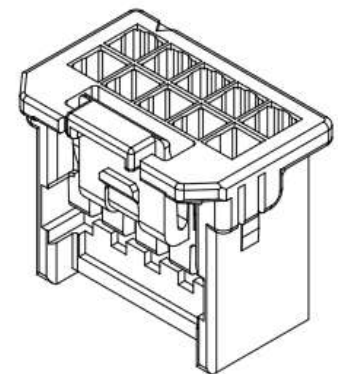
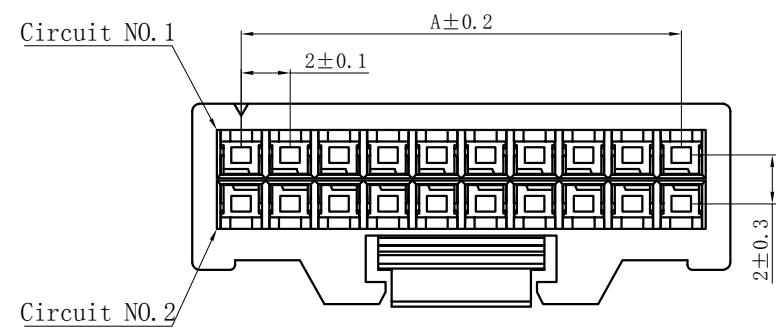
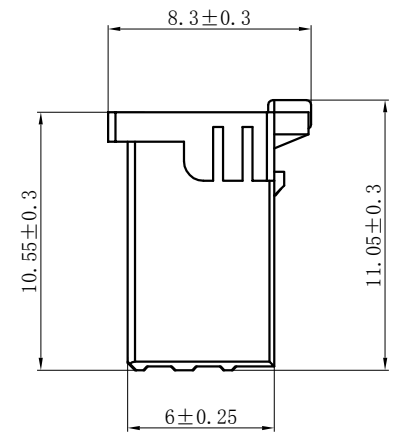
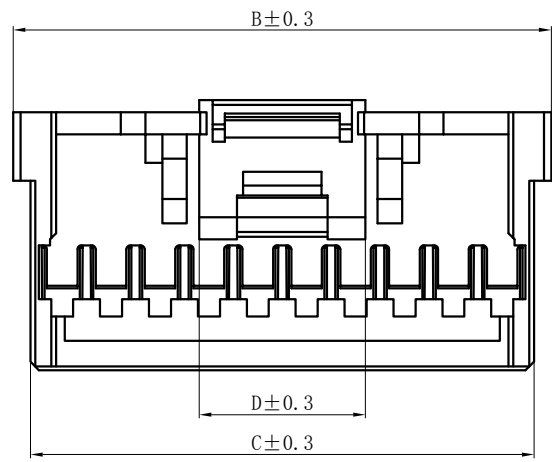
Circuits	Product name	Dimension mm		Circuits	Product name	Dimension mm	
		A	B			A	B
2X2	PAC-4AW	2.00	6.00	2X10	PAC-20AW	18.00	22.00
2X3	PAC-6AW	4.00	8.00	2X11	PAC-22AW	20.00	24.00
2X4	PAC-8AW	6.00	10.00	2X12	PAC-24AW	22.00	26.00
2X5	PAC-10AW	8.00	12.00	2X13	PAC-26AW	24.00	28.00
2X6	PAC-12AW	10.00	14.00	2X14	PAC-28AW	26.00	30.00
2X7	PAC-14AW	12.00	16.00	2X15	PAC-30AW	28.00	32.00
2X8	PAC-16AW	14.00	18.00	~	~	~	~
2X9	PAC-18AW	16.00	20.00	2X20	PAC-40AW	38.00	42.00

GENERAL TOLERANCES (UNLESS SPECIFIED)		浙江德利接插件有限公司 ZHE JIANG DELI CONNECTORS CO., LTD	
.X: ± 0.25	.X°: ± 3.0°	PRODUCT NAME: DL20044 (PAC)-AW	TITLE: 2.00 mm Pitch Wire To Board Wafer
.XX: ± 0.15	.XX°: ± 2.0°	DR: Chen Quan Long	DATE: 24.08.19
.XXX: ± 0.01	.XXX°: ± 1.0°	CHKD: Wu Hui	DATE: 24.08.19
FINISH:		APPD: Ren An De	DATE: 24.08.19
DRAWING NO:		UNITS: mm	PAGE: 1/1
		SCALE: N/A	REV.: A

REV.	REVISION DESCRIPTION	DATE	APPD

NOTES:

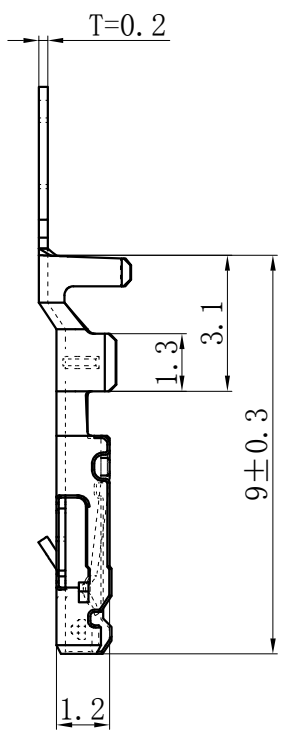
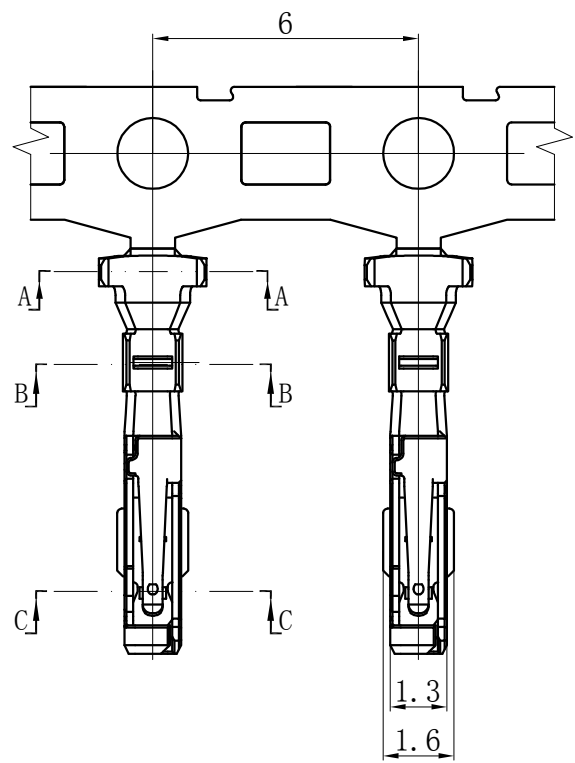
1. Rated voltage: 250V AC. DC
2. Rated current: 2A AC DC MAX
3. Contact resistance:  $\leq 20 \text{ m}\Omega$
4. Insulation resistance:  $\geq 1000 \text{ M}\Omega$
5. Withstand voltage: 1000V AC/minute
6. Ambient temprature:  $-40^\circ\text{C} \sim +105^\circ\text{C}$
7. Material : Nylon UL94V-0(2)
8. Matched RoHS criteria



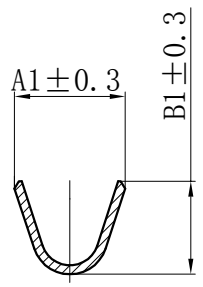
Circuits	Product name	Dimensino (mm)			
		A	B	C	D
2X2	PAC-4Y	2.00	6.00	4.60	1.95
2X3	PAC-6Y	4.00	8.00	6.60	3.75
2X4	PAC-8Y	6.00	10.00	8.60	3.75
2X5	PAC-10Y	8.00	12.00	10.60	5.10
2X6	PAC-12Y	10.00	14.00	12.60	6.80
2X7	PAC-14Y	12.00	16.00	14.60	6.80
2X8	PAC-16Y	14.00	18.00	16.60	6.80
2X9	PAC-18Y	16.00	20.00	18.60	6.80
2X10	PAC-20Y	18.00	22.00	20.60	6.80
2X11	PAC-22Y	20.00	24.00	22.60	6.80
2X12	PAC-24Y	22.00	26.00	24.60	6.80
2X13	PAC-26Y	24.00	28.00	26.60	6.80
2X14	PAC-28Y	26.00	30.00	28.60	6.80
2X15	PAC-30Y	28.00	32.00	30.60	6.80
2X16	PAC-32Y	30.00	34.00	32.60	6.80
2X17	PAC-34Y	32.00	36.00	34.60	6.80
2X18	PAC-36Y	34.00	38.00	36.60	6.80
2X19	PAC-38Y	36.00	40.00	38.60	6.80
2X20	PAC-40Y	38.00	42.00	40.60	6.80

GENERAL TOLERANCES (UNLESS SPECIFIED)		ZHE JIANG DELI CONNECTORS CO., LTD	
.X: $\pm 0.25$	X°: $\pm 3.0^\circ$	PRODUCT NAME: DL20044 (PAC)-Y	TITLE: 2.00 mm Pitch Housing
.XX: $\pm 0.15$	.X°: $\pm 2.0^\circ$	DR: Chen Quan Long	DATE:24/11/01
.XXX: $\pm 0.01$	.XX°: $\pm 1.0^\circ$	DATE:24/11/01	PART NO:
FINISH:		CHKD:Wu Hui	DATE:24/11/01
DRAWING NO:		APPD:Ren An De	DATE:24/11/01
		SCALE: N/A	PAGE: 1/1
		UNITS: mm	REV.: A

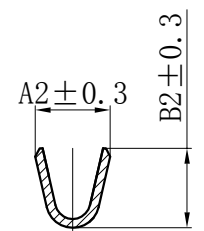
REV.	REVISION DESCRIPTION	DATE	APPD



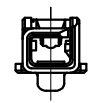
NOTES:  
 Rated voltage: 250V AC.DC  
 Rated current: 2A AC DC Mx  
 Contact resistance: ≤20 mΩ  
 Insulation resistance: ≥1000 MΩ  
 Withstand voltage: 1000V AC/minute  
 Ambient temperature: -40°C ~ +105°C  
 Wire range: AWG#28~#22  
 Materials:  
 Terminal: Phosphor bronze, Tin plated



SECTION A-A



SECTION B-B



SECTION C-C

Product name	Dimension mm				Applicable wires
	A1	B1	A2	B2	AWG#
PAC-T	2.5	2.1	1.7	1.8	24-22
PAC-T-D	2.5	2.1	1.4	1.4	28-26

GENERAL TOLERANCES (UNLESS SPECIFIED)		ZHE JIANG DELI CONNECTORS CO., LTD			
.X: ± 0.25	X°: ± 3.0°	PRODUCT NAME: DL20044 (PAC)-T		TITLE: 2.00 mm Pitch Crimp Terminal	
.XX: ± 0.15	.X°: ± 2.0°	DR: Chen Quan Long	DATE: 24/11/01	PART NO:	
.XXX: ± 0.01	.XX°: ± 1.0°	CHKD: Wu Hui	DATE: 24/11/01	SCALE: N/A	PAGE: 1/1
DRAWING NO:		APPD: Ren An De	DATE: 24/11/01	UNITS: mm	REV.: A