

FEATURES

- Total power dissipation: Max. 1.5 W.
- Wide zener reverse voltage range 3.6V to 200V.
- Small plastic package suitable for surface mounted design.

MECHANICAL DATA

- Case: SMA
- Terminals: Solderable per MIL-STD-750, Method 2026
- Approx. Weight: 0.055g / 0.002oz



Top View
Simplified outline SMA and symbol

PINNING

PIN	DESCRIPTION
1	Cathode
2	Anode

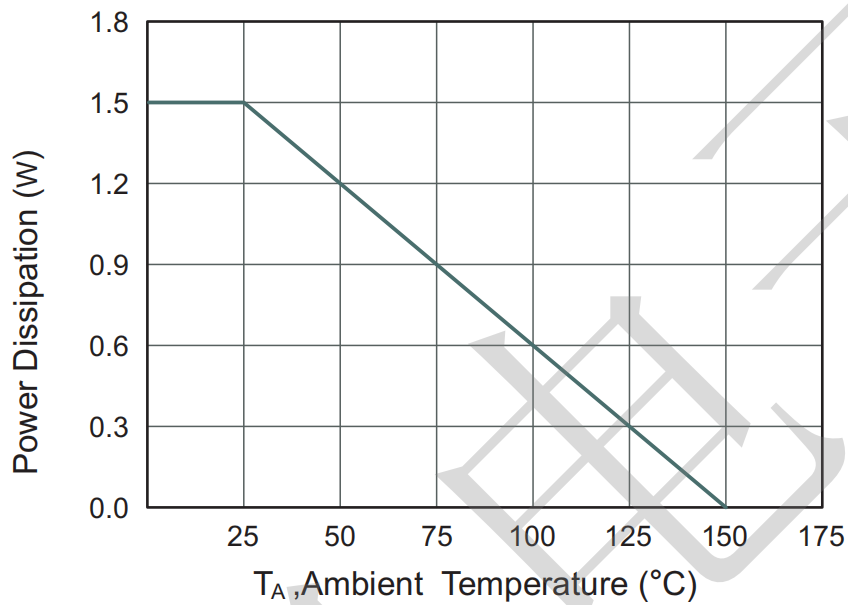


Absolute Maximum Ratings And Characteristics Ta = (25°C)

Parameter	Symbol	Value	Unit
Power Dissipation at T _A =25°C	P _D	1.5	W
Forward Voltage at I _F = 200 mA	V _F	1.5	V
Junction Temperature Range	T _J	- 55 ~ + 150	°C
Storage Temperature Range	T _S	- 55 to + 150	°C
Typical Thermal Resistance ⁽¹⁾	R _{θJA} R _{θJC} R _{θJL}	100 20 25	°C/W

(1) P.C.B. mounted with 0.2" X 0.2" (5 X 5 mm) copper pad areas.

Fig.1 Maximum Continuous Power Derating



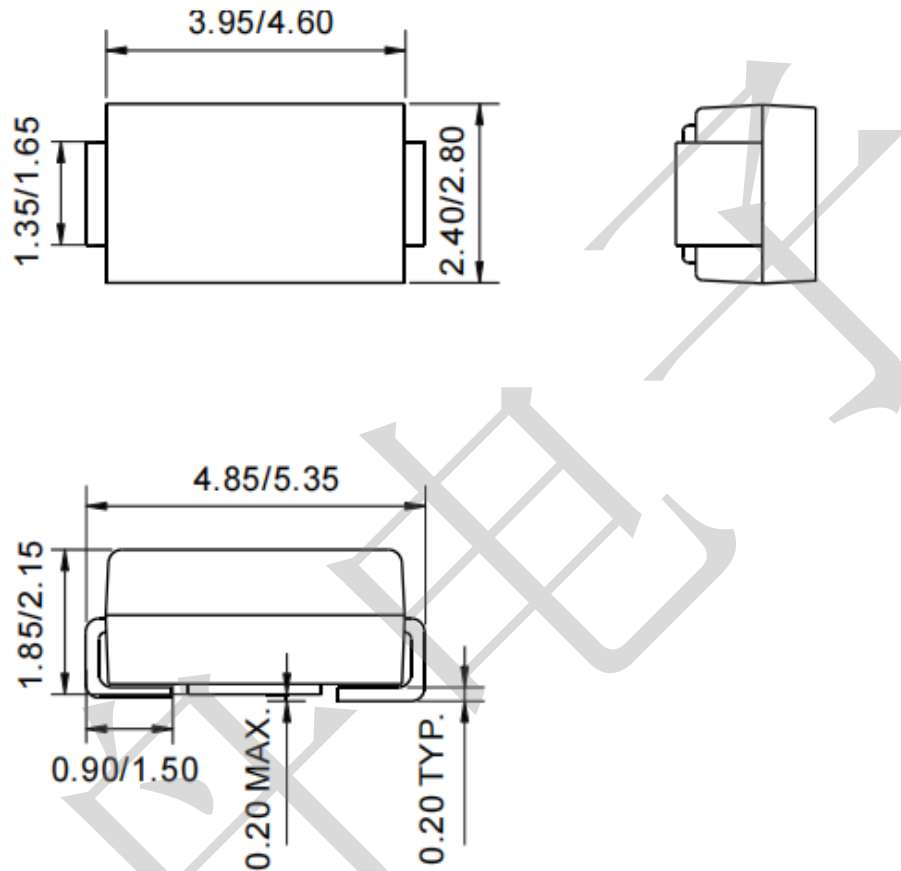
Characteristics at $T_a = 25^\circ\text{C}$

Type	Marking	Zener Voltage Range ⁽¹⁾			I_{ZT} (mA)	Dynamic Impedance	Reverse Current		Admissible Zener Current I_{ZM} (mA)
		V_{ZT} (at I_{ZT})				Z_{ZT} (at I_{ZT})	I_R	at V_R	
		Min (V)	Nom (V)	Max (V)		Max (Ω)	Max (μA)	(V)	
TP1SMA5914BT3G	814B	3.42	3.6	3.78	104.2	9.0	75	1	416
TP1SMA5915BT3G	815B	3.70	3.9	4.10	96.1	7.5	25	1	384
TP1SMA5916BT3G	816B	4.08	4.3	4.52	87.2	6.0	5	1	348
TP1SMA5917BT3G	817B	4.46	4.7	4.94	79.8	5.0	5	1.5	319
TP1SMA5918BT3G	818B	4.84	5.1	5.36	73.5	4.0	5	2	294
TP1SMA5919BT3G	819B	5.32	5.6	5.88	66.9	2.0	5	3	267
TP1SMA5920BT3G	820B	5.89	6.2	6.51	60.5	2.0	5	4	241
TP1SMA5921BT3G	821B	6.46	6.8	7.14	55	2.5	5	5.2	220
TP1SMA5922BT3G	822B	7.12	7.5	7.88	50	3.0	5	6	200
TP1SMA5923BT3G	823B	7.79	8.2	8.61	45.7	3.5	5	6.5	182
TP1SMA5924BT3G	824B	8.60	9.1	9.56	41.2	4.0	5	7	164
TP1SMA5925BT3G	825B	9.50	10	10.5	37.5	4.5	5	8	150
TP1SMA5926BT3G	826B	10.4	11	11.6	34	5.5	1	8.4	136
TP1SMA5927BT3G	827B	11.4	12	12.6	31.2	6.5	1	9	125
TP1SMA5928BT3G	828B	12.35	13	14.1	28.8	7.0	1	9.9	115
TP1SMA5929BT3G	829B	13.8	15	15.8	25	9.0	1	11.4	100
TP1SMA5930BT3G	830B	15.2	16	16.8	23.4	10	1	12.2	93
TP1SMA5931BT3G	831B	16.8	18	19.2	21	12	1	13.7	83
TP1SMA5932BT3G	832B	19.0	20	21.2	19	14	1	15.2	75
TP1SMA5933BT3G	833B	20.8	22	23.3	17	18	1	16.7	68
TP1SMA5934BT3G	834B	22.8	24	25.2	16	19	1	18.2	62
TP1SMA5935BT3G	835B	25.3	27	28.9	14	23	1	20.6	55
TP1SMA5936BT3G	836B	28.2	30	32.0	12.5	26	1	23	50
TP1SMA5937BT3G	837B	31.3	33	34.9	11.4	33	1	25	45
TP1SMA5938BT3G	838B	34.2	36	37.9	10.4	38	1	27	41
TP1SMA5939BT3G	839B	37.2	39	41.5	9.6	45	1	30	38
TP1SMA5940BT3G	840B	40.9	43	45.6	8.7	53	1	33	34
TP1SMA5941BT3G	841B	44.9	47	49.8	8.0	67	1	36	31
TP1SMA5942BT3G	842B	48.6	51	54.0	7.3	70	1	39	29
TP1SMA5943BT3G	843B	53.6	56	58.8	6.7	86	1	42	26
TP1SMA5944BT3G	844B	58.9	62	65.6	6.0	100	1	47	24
TP1SMA5945BT3G	845B	64.6	68	71.7	5.5	120	1	52	22
TP1SMA5946BT3G	846B	71.2	75	78.8	5.0	140	1	57	20
TP1SMA5947BT3G	847B	77.9	82	87.0	4.6	160	1	62	18
TP1SMA5948BT3G	848B	86.0	91	96.0	4.1	200	1	69	16
TP1SMA5949BT3G	849B	95.0	100	105	3.7	250	1	76	15
TP1SMA5950BT3G	850B	104	110	116	3.4	300	1	84	13
TP1SMA5951BT3G	851B	114	120	127	3.1	380	1	91	12
TP1SMA5952BT3G	852B	125	130	142	2.9	450	1	100	11
TP1SMA5953BT3G	853B	140	150	157	2.5	600	1	114	10
TP1SMA5954BT3G	854B	152	160	168	2.3	700	1	121.6	9.0
TP1SMA5955BT3G	855B	168	180	189	2.1	900	1	136.8	8.0
TP1SMA5956BT3G	856B	189	200	211	1.9	1200	1	152	7.0

(1) V_{ZT} is tested with pulses (20 ms)

Package Outline Dimensions (unit:mm)

SMA



Mounting Pad Layout (unit: mm)

