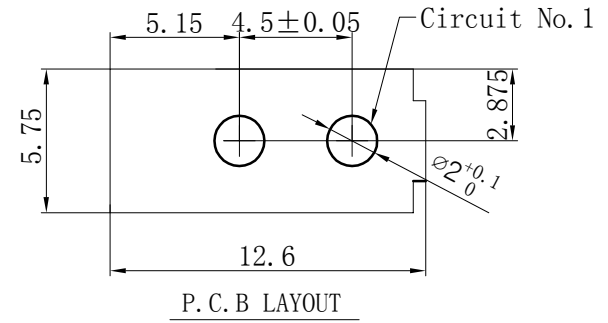
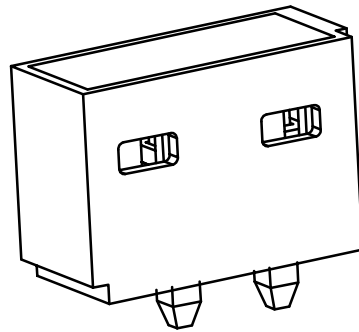
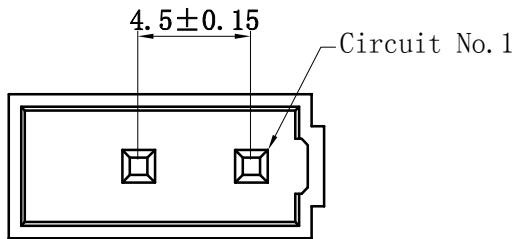
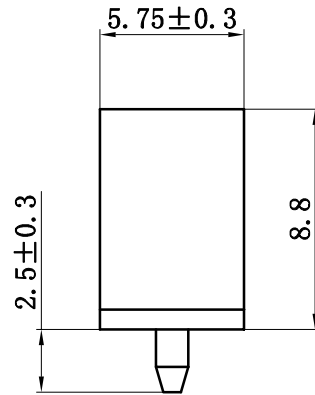
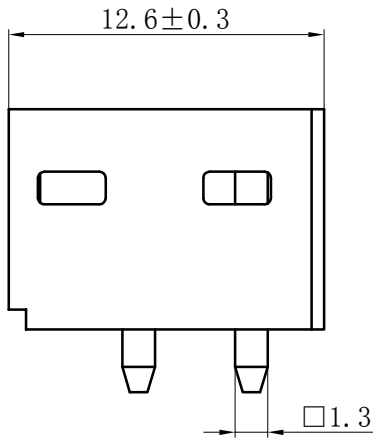
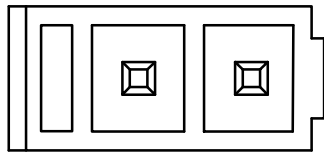


REV.	REVISION DESCRIPTION	DATE	APPD

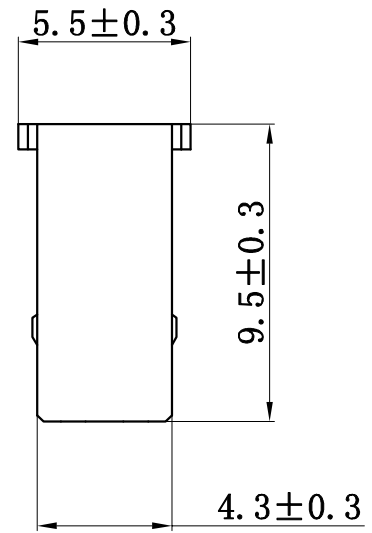
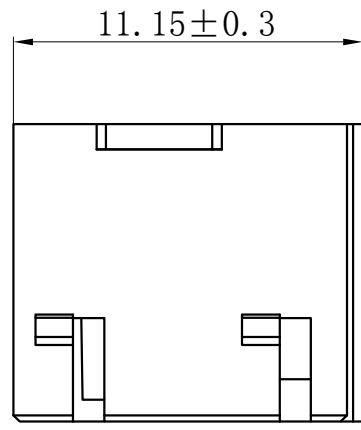
NOTES:

- Rated voltage: 250V AC/DC
- Rated current: 20A AC DC (AWG#16)
- Contact resistance: $\leq 5 \text{ m}\Omega$
- Insulation resistance: $\geq 800 \text{ M}\Omega$
- Withstand voltage: 800V AC/minute
- Ambient temperature: $-40^\circ\text{C} \sim +105^\circ\text{C}$
- Material : LCP UL94V-0.
- Pin Materials : Copper alloy / Gold-Plated.



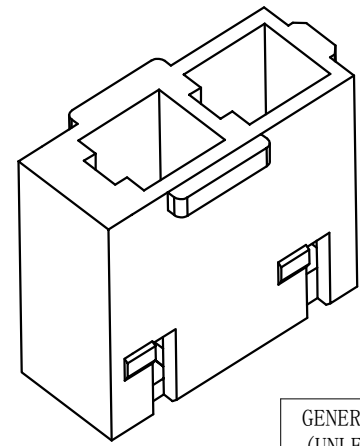
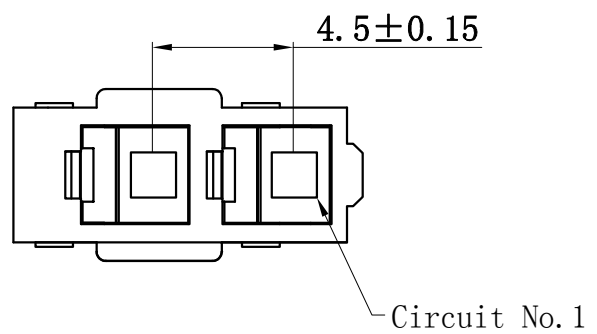
GENERAL TOLERANCES (UNLESS SPECIFIED)		ZHE JIANG DELI CONNECTORS CO., LTD	
.X: ± 0.25	X° : ± 3.0°	PRODUCT NAME: QADC-2A	TITLE: 4.5mm Pitch Wire To Board Wafer
.XX: ± 0.15	.X° : ± 2.0°	DR:Chen Quan Long	DATE:25/8/1
.XXX: ± 0.01	.XX° : ± 1.0°	CHKD: Wu Hui	DATE:25/8/1
FINISH:		APPD:Ren An De	DATE:25/8/1
DRAWING NO:		UNITS: mm	PAGE: 1/1
			REV.: A

REV.	REVISION DESCRIPTION	DATE	APPD



NOTES:

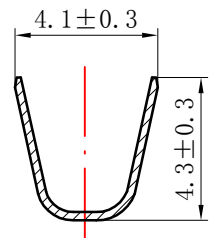
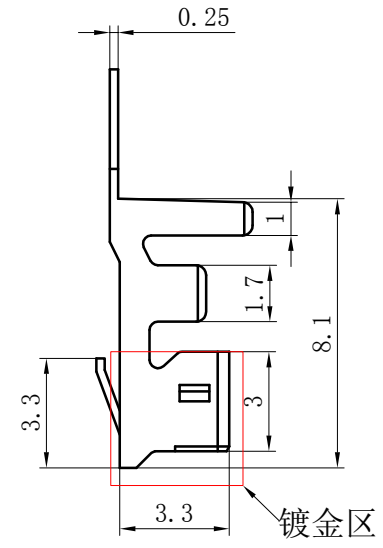
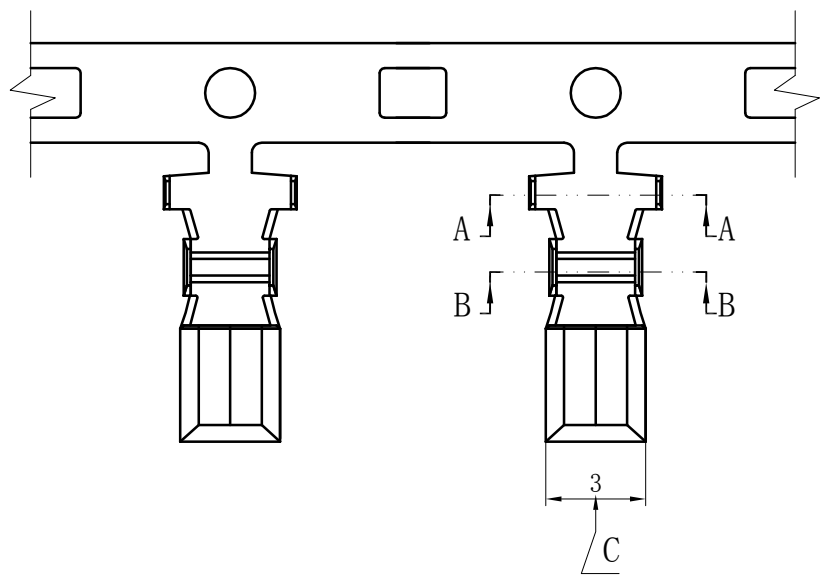
1. Rated voltage: 250V AC.DC
2. Rated current: 20A AC DC (AWG#16)
3. Contact resistance: $\leq 5 \text{ m}\Omega$
4. Insulation resistance: $\geq 800 \text{ M}\Omega$
5. Withstand voltage: 800V AC/minute
6. Ambient temperature: $-40^\circ\text{C} \sim +105^\circ\text{C}$
7. Material : PA66 UL94V-0 750°C.
8. Matched RoHS criteria



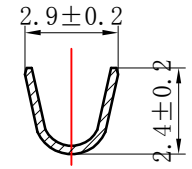
GENERAL TOLERANCES (UNLESS SPECIFIED)		ZHE JIANG DELI CONNECTORS CO., LTD	
.X: ± 0.25	X°: ± 3.0°	PRODUCT NAME:	TITLE:
.XX: ± 0.15	.X°: ± 2.0°	QADC-2Y	4.5mm Pitch Housing
.XXX: ± 0.01	.XX°: ± 1.0°	DR: Chen QuanLong	DATE:25/8/1
FINISH:		DATE:25/8/1	PART NO:
		CHKD: Wu Hui	SCALE: N/A
DRAWING NO:		APPD: Ren An De	DATE:25/8/1
			PAGE: 1/1
			UNITS: mm
			REV.: A

REV.	REVISION DESCRIPTION	DATE	APPD

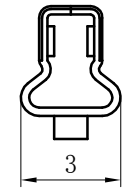
NOTES:
 Rated voltage: 250V AC.DC
 Rated current: 20A AC DC(AWG#16)
 Contact resistance: $\leq 5 \text{ m}\Omega$
 Insulation resistance: $\geq 800 \text{ M}\Omega$
 Withstand voltage: 800V AC/minute
 Ambient temperature: $-40^\circ\text{C} \sim +105^\circ\text{C}$
 Wire range: AWG#20~#16
 Materials: Copper alloy, Gold plated



SECTION A-A



SECTION B-B



C向

GENERAL TOLERANCES (UNLESS SPECIFIED)		ZHE JIANG DELI CONNECTORS CO., LTD	
.X: ± 0.25	X°: $\pm 3.0^\circ$	PRODUCT NAME: QADC-T	TITLE: 4.5 mm Pitch Crimp Terminal
.XX: ± 0.15	.X°: $\pm 2.0^\circ$	DR: Chen Quan Long	DATE: 25/08/01
.XXX: ± 0.01	.XX°: $\pm 1.0^\circ$	APPD: Ren An De	DATE: 25/08/01
FINISH:		SCALE: N/A	PAGE: 1/1
DRAWING NO:		UNITS: mm	REV.: A