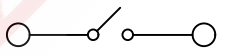
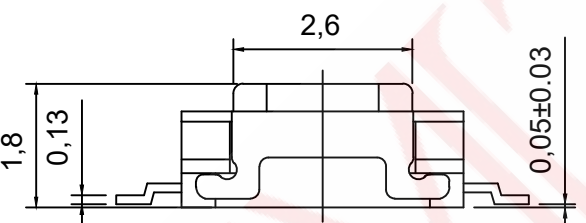
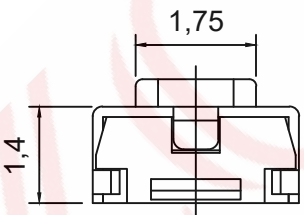
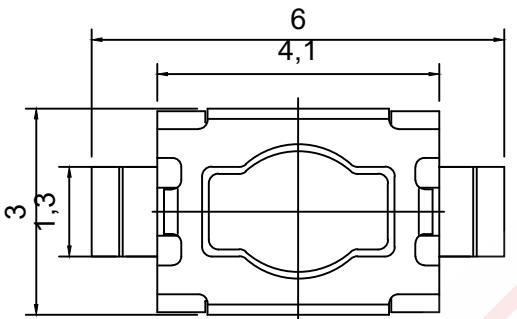
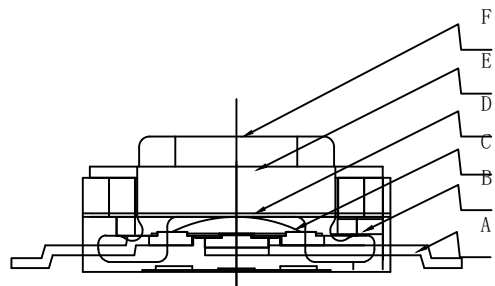


SAMZO REAC/ROHS

REV	ECN NO	DESCRIPTION	DESIGN	APPROVAL	DATE
A1	NEW	Replace frame			2018.06.12

主要技术参数、性能  
The Main Thchnology Performance

额定电流、电压 Rate voltage, current	50mA DC12V
接触电阻 Contact resistance	≤100mΩ
按力 Operating force	160±30gf
行程 Travel	0.12±0.1mm
绝缘电阻 Insulated resistance	≥100MΩ
介电强度 Dielectric strength	≥250VAC/1min

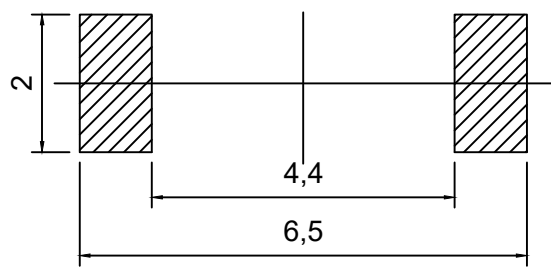
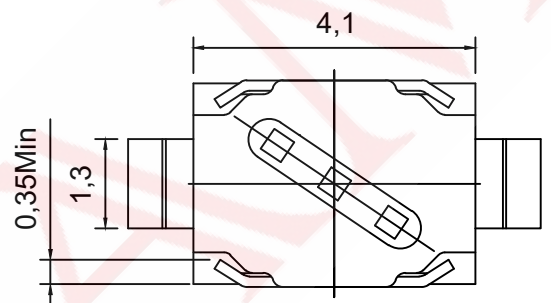


CIRCUIT DIAGRAM

**XM 4 A 18 1 1 1 0**

Ⓐ Ⓑ Ⓒ Ⓓ Ⓔ Ⓕ Ⓖ Ⓕ

- A. 系列: XM-3\*4梅花柄防水系列
- B. 贴装方式: 4-180° SMT
- C. 引脚规格: A-2P
- D. 操作高度: 18-1.8mm
- E. 操作力度: 1-160gf
- F. 操作寿命: 1-10万次
- G. 固定方式: 1-无柱
- H. 物料编码: 0-常规



P. C. B SOLDER LAND DIMENSION

ITEM	DESCRIPTION	MATERIAL	QTY	FINISH/COLOR				
E	按钮	LCP	1	黑色				
D	盖板	不锈钢	1	清洗	GENERAL TOLERANCE			
D	防尘膜	聚酰亚胺	1	橙黄色	≥0~2<	±0.15	SCALE	
C	弹片	不锈钢	2	镀银	DESIGN	WANGGUIFA	2018.06.12	1:1
B	本件	LCP	1	黑色	CHECKED	ZHENGUILAN	2018.06.12	UNIT
A	卡件	磷铜	1	镀银	APPROVED	LILIANJIANG	2018.06.14	mm

FIRST VIEW

SCALE 1:1 UNIT mm

**SAMZO COMPONENTS**  
Electronic switch and connector manufacturer

The copyright belongs to samzo parts [China] Co., Ltd. please use the material after samzo parts agree to authorize. The final right of interpretation belongs to samzo parts. WWW.KKK-JP.COM

TITLE::	3*4*1.8两脚梅花柄防水开关
DWG NO:	XM4A-P2412
PART NO:	XM4A18-0001
MODEL NO:	XM4A181110
NAME:	TACT SWITCH