

芯伯乐®  
X I N B O L E

# Product Specification

XBLW LM2674MX

500mA 300KHz 40V PWM Buck DC/DC Converter

WEB | [www.xinboleic.com](http://www.xinboleic.com)



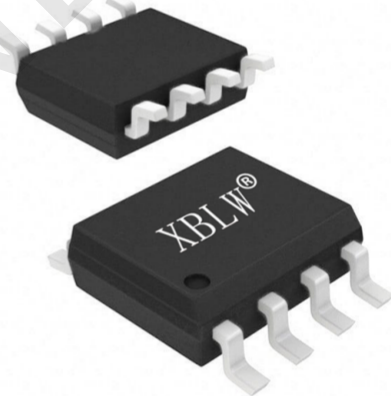
## Descriptions

The LM2674MX regulator is monolithic integrated circuit ideally suited for easy and convenient design of a step-down switching regulator(buck converter). It is capable of driving a 0.5A load with excellent line and load regulation. This device is available in adjustable output version. It is internally compensated to minimize the number of external components to simplify the power supply design. Since LM2674 converter is a switch-mode power supply, its efficiency is significantly higher in comparison with popular three-terminal linear regulators, especially with higher input voltages. The LM2674MX operates at a switching frequency of 300 kHz thus allowing smaller sized filter components than what would be needed with lower frequency switching regulators.

Available in a standard SOP8 Surface Mount packages. The other features include a guaranteed  $\pm 4\%$  tolerance on output voltage with in specified input voltages and output load conditions, and  $\pm 15\%$  on the oscillator frequency. External shutdown is included, featuring 50  $\mu\text{A}$  (typical) standby current. Self protection features include switch cycle-by-cycle current limit for the output switch, as well as thermal shutdown for complete protection under fault conditions.

## Features

- Adjustable Output Voltage Range 1.23V~37 V
- 3.3V,5V,12V, and adjustable versions
- Guaranteed 0.5A Output Load Current
- Wide Input Voltage Range up to 40 V
- 300 kHz Fixed Frequency Internal Oscillator
- TTL Shutdown Capability
- Low Power Standby Mode, typ 50  $\mu\text{A}$
- Thermal Shutdown and Current Limit Protection
- Internal Loop Compensation
- These are Pb-Free Devices



SOP-8

## Applications

- Simple High\_Efficiency Step\_Down (Buck) Regulator
- Efficient Pre\_Regulator for Linear Regulators
- On-Card Switching Regulators
- Positive to Negative Converter (Buck-Boost)
- Negative Step-Up Converters
- Power Supply for Battery Chargers

## Ordering Information

Product Model	Package Type	Marking	Packing	Packing Qty
LM2674MX-3.3	SOP-8	2674M-3.3	Tape	4000Pcs/Reel
LM2674MX-5.0	SOP-8	2674M-5.0	Tape	4000Pcs/Reel
LM2674MX-12	SOP-8	2674M-12	Tape	4000Pcs/Reel
LM2674MX-ADJ	SOP-8	2674M-ADJ	Tape	4000Pcs/Reel

## Pin Configurations

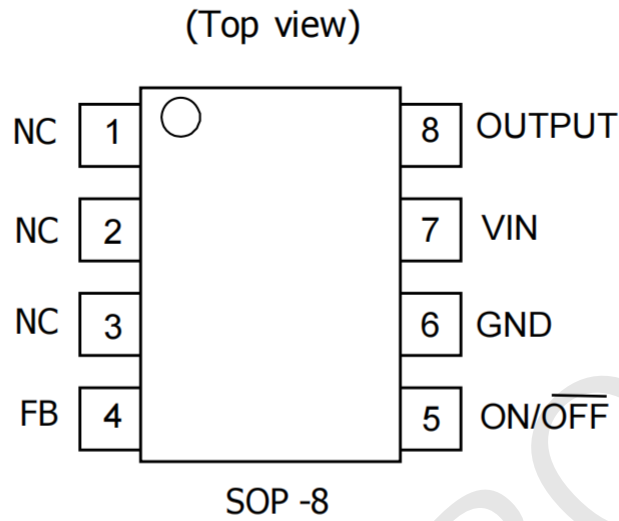


Figure 1 Pin Configuration of LM2674MX

## Pin Description

Pin Number	Pin Name	Description
1/2/3	NC	Not Connected
4	FB	This pin is the direct input of the error amplifier and the resistor network R2, R1 is connected externally to allow programming of the output voltage.
5	ON/ $\overline{\text{OFF}}$	Allows the switching regulator circuit to be shut down using logic levels, thus dropping the total input supply current to approximately 50 $\mu\text{A}$ . The threshold voltage is typical. 1.6 V. Applying a voltage above this value (up to $V_{\text{IN}}$ ) shuts the regulator on. If the voltage applied to this pin is lower than 0.6 V or if this pin is left open, the regulator will be in the "off" condition.
6	GND	Circuit ground pin. See the information about the printed circuit board layout.
7	VIN	Positive input supply for LM2674MX step_down switching regulator. In order to minimize voltage transients and to supply the switching currents needed by the regulator, a suitable input bypass capacitor must be present
8	OUTPUT	Emitter of the internal switch. The saturation voltage $V_{\text{sat}}$ of the output switch is typically 1 V. It should be kept in mind that PCB area connected to this pin should be kept to a minimum in order to minimize coupling to sensitive circuitry

### Function Block

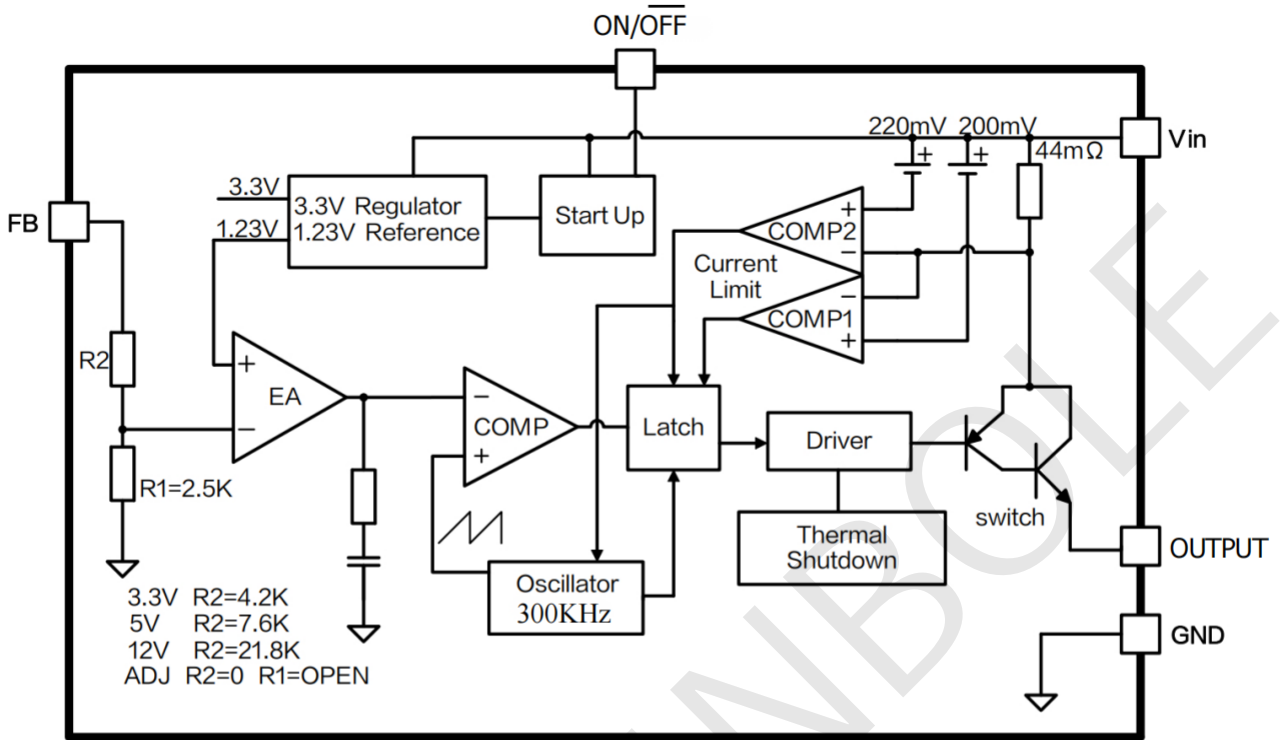


Figure 2 Function Block Diagram of LM2674MX

### Typical Application Circuit

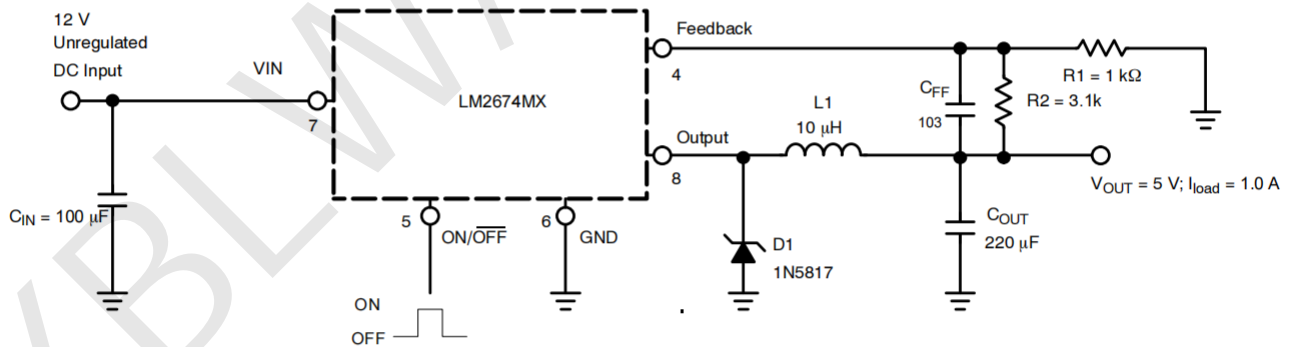


Figure3. LM2674MX-ADJ Typical Application Circuit (VIN=8V~40V, VOUT=5V/0.5A)

## Absolute Maximum Ratings

Note1: Stresses greater than those listed under Maximum Ratings may cause permanent damage to the device. This is a stress rating only and functional operation of the device at these or any other conditions above those indicated in the operation is not implied. Exposure to absolute maximum rating conditions for extended periods may affect reliability

Parameter	Symbol	Value	Unit
Input Voltage	$V_{IN}$	-0.3 to 45	V
Feedback Pin Voltage	$V_{FB}$	-0.3 to $V_{IN}$	V
Enable Pin Voltage	$V_{EN}$	-0.3 to $V_{IN}$	V
Switch Pin Voltage	$V_{SW}$	-0.3 to $V_{IN}$	V
Power Dissipation	$P_D$	Internally limited	mW
Operating Junction Temperature	$T_J$	-40~125	°C
Storage Temperature	$T_{STG}$	-65 to 150	°C
Lead Temperature (Soldering, 10 sec)	$T_{LEAD}$	260	°C
ESD (HBM)		2000	V
MSL		Level3	
Thermal Resistance-Junction to Ambient	$R_{\theta JA}$	85	°C / W
Thermal Resistance-Junction to Case	$R_{\theta JC}$	45	°C / W

### LM2674MX-3.3 Electrical Characteristics

$T_a = 25^\circ\text{C}$ ; unless otherwise specified.

Symbol	Parameter	Test Condition	Min.	Typ.	Max.	Unit
System parameters test circuit figure5						
$V_{OUT}$	Output Voltage	$V_{in} = 8V \text{ to } 40V$ $I_{load} = 0.1A \text{ to } 0.5A$	3.168	3.3	3.432	V
$\eta$	Efficiency	$V_{in} = 12V, V_{out} = 3.3V, I_{out} = 0.5A$	-	87	-	%

### LM2674MX-5.0 Electrical Characteristics

$T_a = 25^\circ\text{C}$ ; unless otherwise specified.

Symbol	Parameter	Test Condition	Min.	Typ.	Max.	Unit
System parameters test circuit figure6						
$V_{OUT}$	Output Voltage	$V_{in} = 8V \text{ to } 40V$ $I_{load} = 0.1A \text{ to } 0.5A$	4.8	5	5.2	V
$\eta$	Efficiency	$V_{in} = 12V, V_{out} = 5V, I_{out} = 0.5A$	-	88	-	%

### LM2674MX-12 Electrical Characteristics

$T_a = 25^\circ\text{C}$ ; unless otherwise specified.

Symbol	Parameter	Test Condition	Min.	Typ.	Max.	Unit
System parameters test circuit figure7						
V <sub>OUT</sub>	Output Voltage	V <sub>in</sub> = 15V to 40V , I <sub>load</sub> =0.1A to 0.5A	11.52	12	12.48	V
$\eta$	Efficiency	V <sub>in</sub> =25V ,V <sub>out</sub> =12V, I <sub>out</sub> =0.5A	-	90	-	%

### LM2674MX-ADJ Electrical Characteristics

$T_a = 25^\circ\text{C}$ ; unless otherwise specified.

Symbol	Parameter	Test Condition	Min.	Typ.	Max.	Unit
System parameters test circuit figure8						
V <sub>OUT</sub>	Output Voltage	V <sub>in</sub> = 8V to 40V I <sub>load</sub> =0.1A to 0.5A	1.193	1.23	1.267	V
$\eta$	Efficiency	V <sub>in</sub> =12V ,V <sub>out</sub> =5V, I <sub>out</sub> =0.5A	-	88	-	%

### Electrical Characteristics (DC Parameters)

V<sub>in</sub> = 12V for the 3.3V,5V,and Adjustable versions and V<sub>in</sub>=24V for the 12V version, GND=0V, V<sub>in</sub> & GND parallel connect a 220uF/50V capacitor; I<sub>out</sub>=500mA,  $T_a = 25^\circ\text{C}$ ; the others floating unless otherwise specified.

Parameters	Symbol	Test Condition	Min.	Typ.	Max.	Unit
Input operation voltage	V <sub>in</sub>		4.5		40	V
Shutdown Supply Current	I <sub>S</sub>	V <sub>EN</sub> =5V		50	200	uA
Quiescent Supply Current	I <sub>q</sub>	V <sub>EN</sub> =0V, V <sub>FB</sub> =V <sub>in</sub>		4.5	10	mA
Oscillator Frequency	F <sub>osc</sub>		240	300	330	KhZ
Switch Current Limit	I <sub>L</sub>	V <sub>FB</sub> =0V		2.0		A
EN Pin Threshold	V <sub>EN</sub>	High (Regulator ON) Low (Regulator OFF)		1.4 0.8		V
EN Pin Input Leakage Current	I <sub>H</sub>	V <sub>EN</sub> =2.5V (ON)		8	15	uA
	I <sub>L</sub>	V <sub>EN</sub> =0.5V (OFF)		0.5	5	uA
Output Saturation Voltage	V <sub>CE</sub>	V <sub>FB</sub> =0V I <sub>out</sub> =1A		1.0	1.2	V
Max. Duty Cycle	D <sub>MAX</sub>	V <sub>FB</sub> =0V		95		%

Test Circuit and Layout guidelines

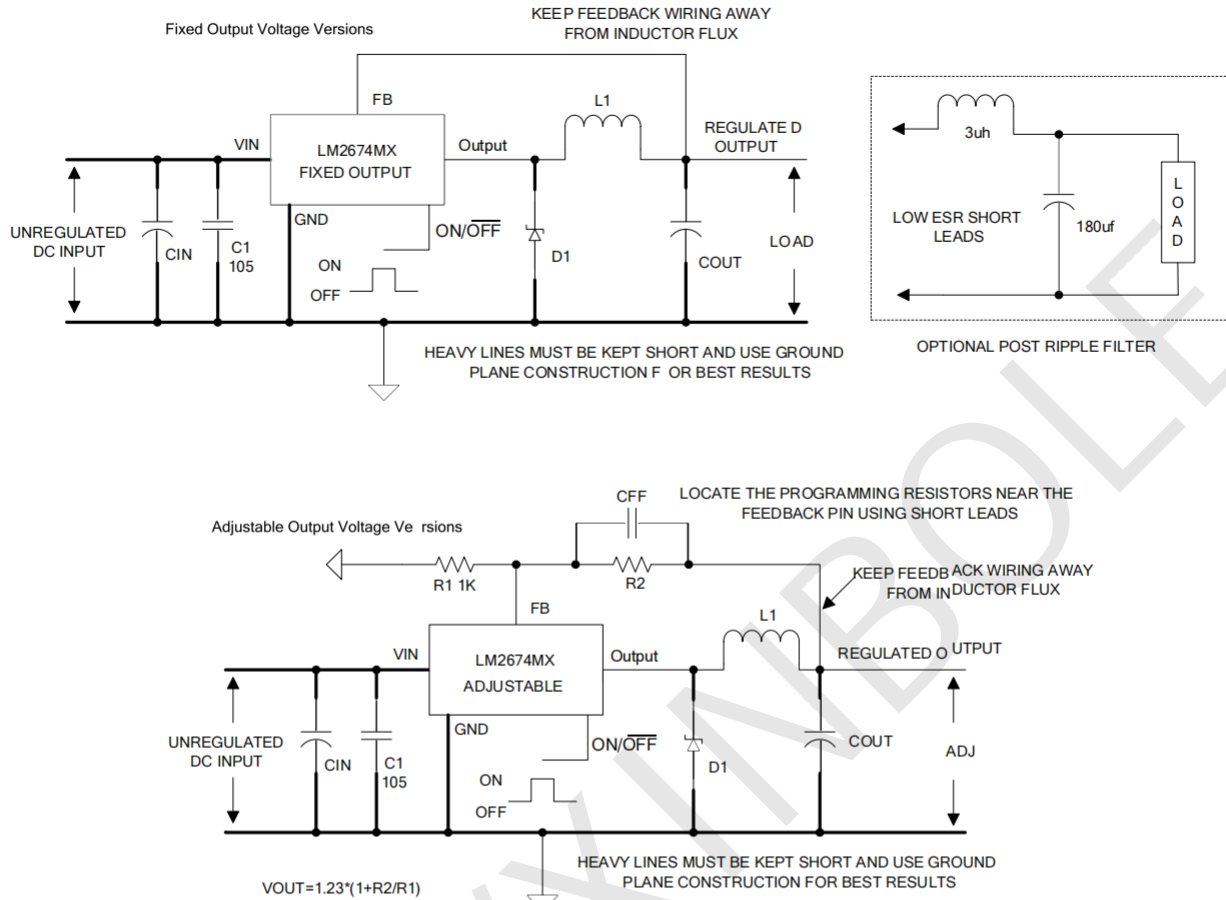


Figure 4. Standard Test Circuits and Layout Guides

Select R1 to be approximately 1K, use a 1% resistor for best stability.

C1 and CFF are optional; in order to increase stability and reduce the input power line noise, C1 must be placed near to PIN1 and PIN3;

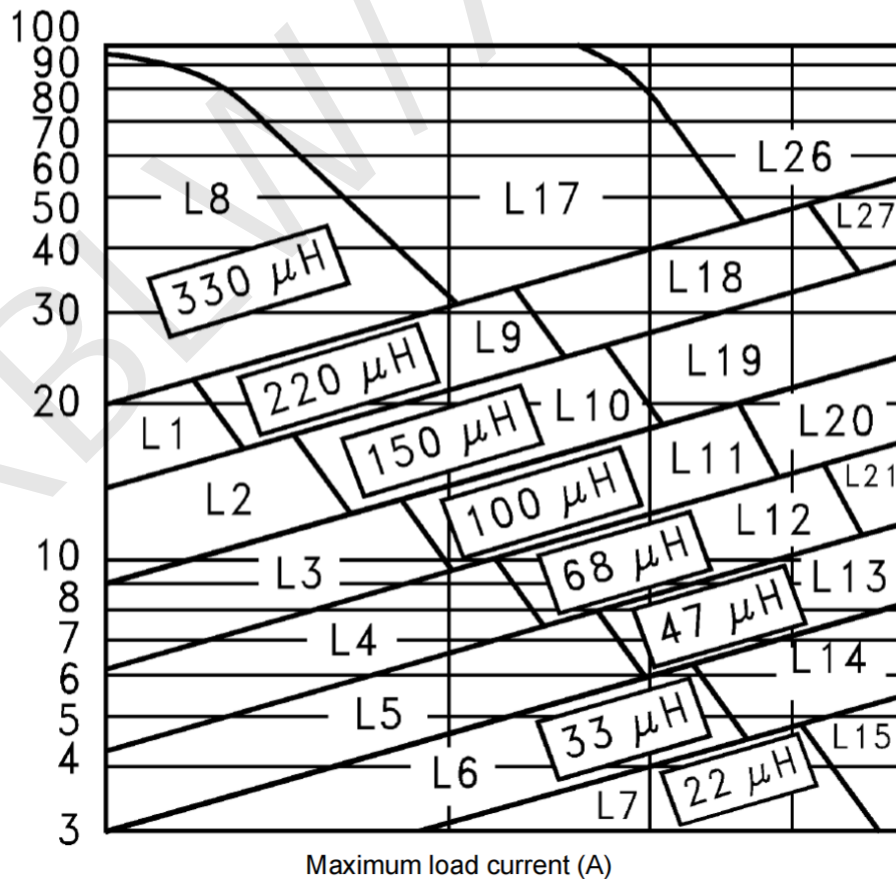
For output voltages greater than approximately 10V, an additional capacitor CFF is required.

The compensation capacitor is typically between 100 pf and 33 nf, and is wired in parallel with the output voltage setting resistor, R2. It provides additional stability for high output voltage, low input-output voltages, and/or very low ESR output capacitors, such as solid tantalum capacitors.

$CFF = 1 / (31 * 1000 * R2)$ ; This capacitor type can be ceramic, plastic, silver mica, etc. (Because of the unstable characteristics of ceramic capacitors made with Z5U material, they are not recommended.)

**LM2674 Series Buck Regulator Design Procedure (Fixed Output)**

Nichicon Pm Capacitors									
Vin (V)	Capacity/Voltage Range / ESR[ $\mu\text{F}/\text{V}/\text{m}\Omega$ ]								
40	1000/10/ 60	680/250	470/10/ 140	470/10/ 140	330/10/ 160	220/25/ 110	220/110	180/25/ 140	180/35/ 100
35	1000/10/ 60	680/150	470/10/ 140	330/10/ 160	180/25/ 140	180/25/ 140	180/25/ 140	180/25/ 140	180/35/ 100
26	1000/10/ 60	470/10/ 140	330/10/ 160	220/25/ 110	180/25/ 140	180/25/ 140	100/25/ 240	180/25/ 140	
20	1000/10/ 60	470/10/ 140	220/25/ 110	220/25/ 110	100/25/ 240	100/25/ 240	100/25/ 240		
18	1000/10/ 60	470/10/ 140	220/25/ 110	220/25/ 110	100/25/ 240	100/25/ 240	100/25/ 240		
12	470/10/ 140	470/10/ 140	220/25/ 110	180/25/ 140	100/25/ 240				
10	470/10/ 140	470/10/ 140	220/25/ 110	180/25/ 140					
Vout (V)	2	3	4	6	9	12	15	24	28
CFF (nF)	15	4.7	1.5	1.5	1.5	1.5	1	0.6	0.6



**LM2674 Series Buck Regulator Design Procedure (Adjustable Output)**

Output Voltage (V)	Through Hole Output Electrolytic			Surface Mount Output Capacitor		
	Panasonic HFQ Series (uF/V)	Nichicon PL Series (uF/V)	Feedforward Capacitor	AVX TPS Series (uF/V)	Sprague 595D Series (uF/V)	Feedforward Capacitor
2	820/35	820/35	33nF	330/6.3	470/4	33nF
4	560/35	470/35	10nF	330/6.3	390/6.3	10nF
6	470/25	470/35	3.3nF	220/10	330/10	3.3nF
9	330/25	330/25	1.5nF	100/16	180/16	1.5nF
12	330/25	330/25	1nF	100/16	180/16	1nF
15	220/25	220/35	680pF	68/20	120/20	680pF
24	220/35	150/35	560pF	33/25	33/25	220pF
28	100/50	100/50	390pF	10/35	15/50	220pF

**Schottky Diode Selection Table**

VR	1A Diodes			
	Surface Mouns		Through Hole	
	Schottky	Ultra Fast Recovery	Schottky	Ultra Fast Recovery
20 V	MBRS140	All of these diodes are rated to at least 60 V. MURS120 10BF10	1N5817	All of these diodes are rated to at least 60 V. MUR120 HER101 11DF1
30 V	10BQ040		SR102	
40 V	10MQ040		1N5818	
50 V or more	MBRS160		SR103	
	10BQ050		11DQ03	
	10MQ060		1N5819	
	MBRS1100		SR104	
	10MQ090		11DQ04	
	SGL41-60		SR105	
	SS16		MBR150	
	MBRS140	11DQ05		
	10BQ040	MBR160		

**Typical System Application for 3.3V Version**

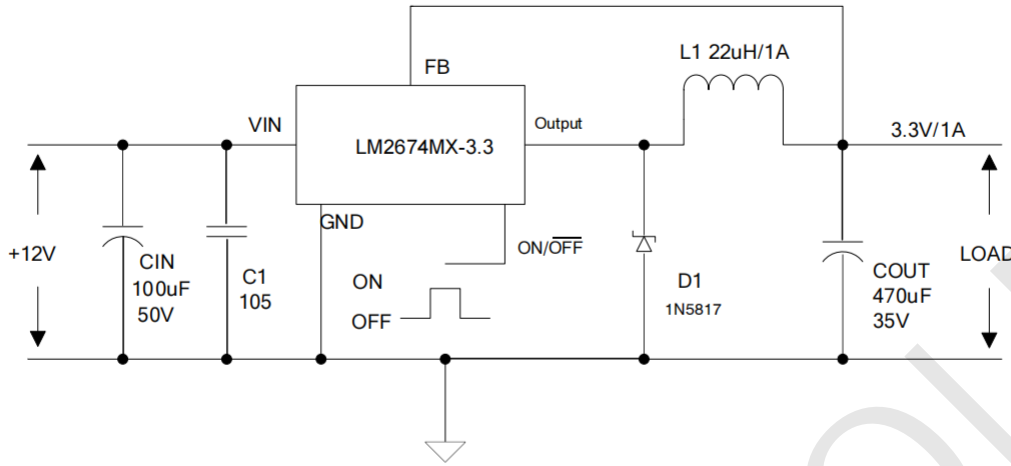


Figure5. LM2674MX-3.3 System Parameters Test Circuit

**Typical System Application for 5V Version**

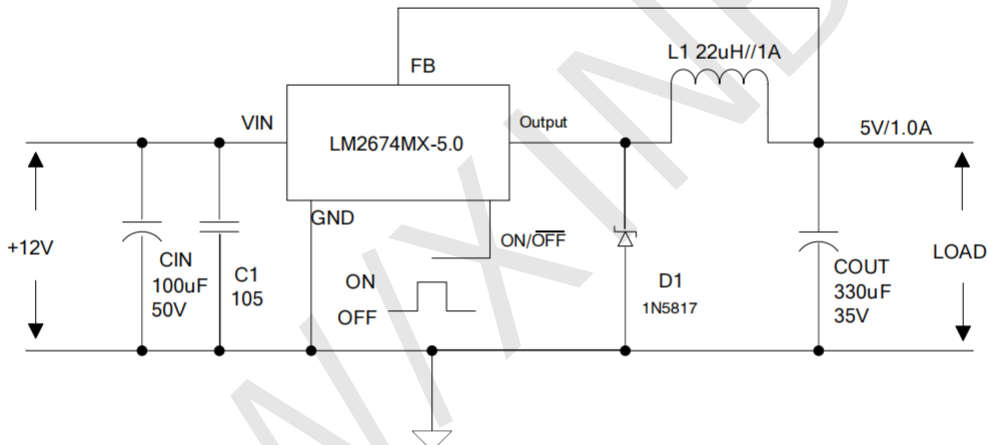


Figure6. LM2674MX-5.0 System Parameters Test Circuit

**Typical System Application for 12V Version**

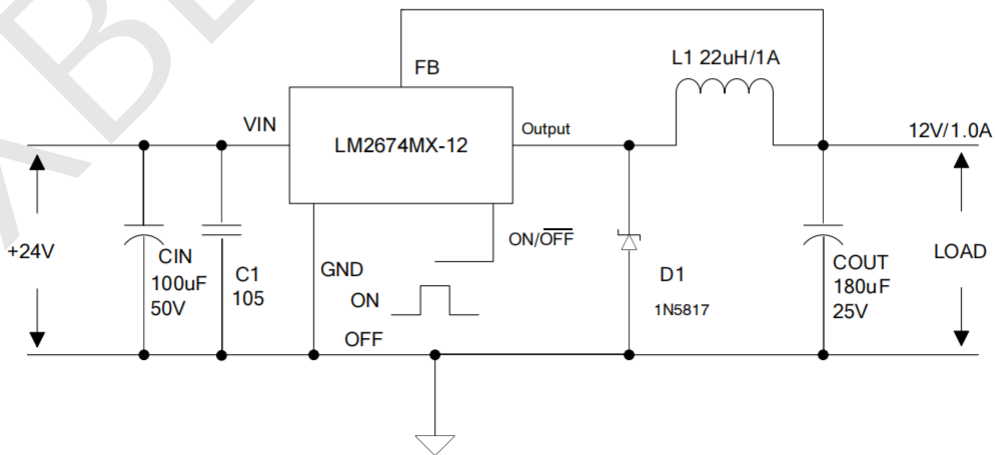


Figure7. LM2674MX-12 System Parameters Test Circuit

Typical System Application for ADJ Version

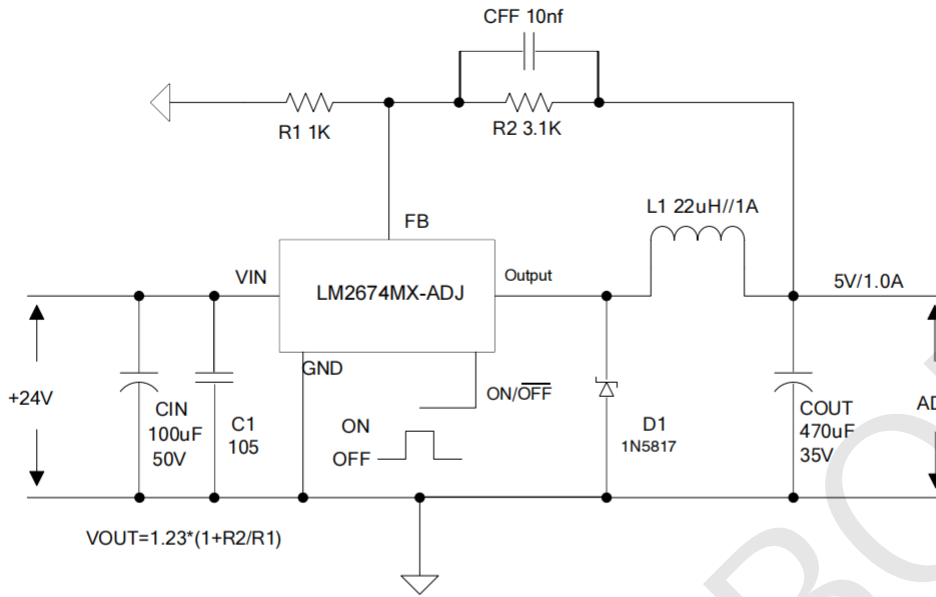
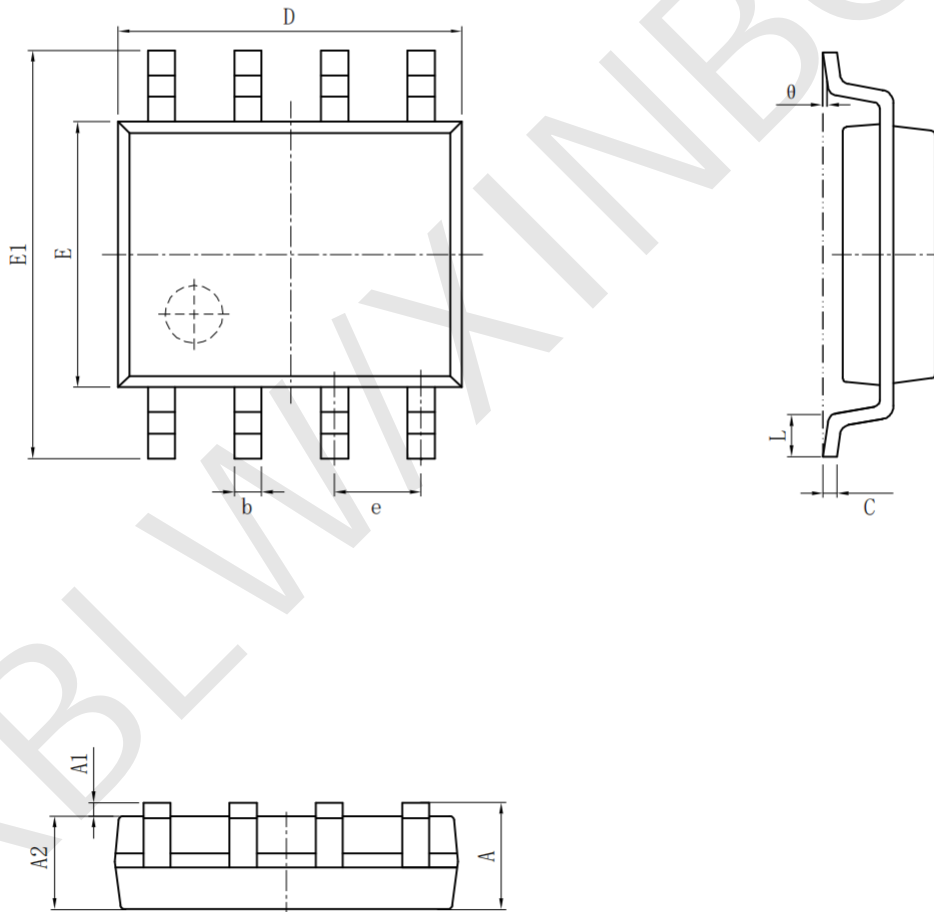


Figure8. LM2674MX-ADJ System Parameters Test Circuit

## Package Information

- SOP-8

Size Symbol	Dimensions In Millimeters		Size Symbol	Dimensions In Inches	
	Min (mm)	Max (mm)		Min (in)	Max (in)
A	1.350	1.750	A	0.053	0.069
A1	0.100	0.250	A1	0.004	0.010
A2	1.350	1.550	A2	0.053	0.061
b	0.330	0.510	b	0.013	0.020
c	0.170	0.250	c	0.006	0.010
D	4.700	5.100	D	0.185	0.200
E	3.800	4.000	E	0.150	0.157
E1	5.800	6.200	E1	0.228	0.224
e	1.270 (BSC)		e	0.050 (BSC)	
L	0.400	1.270	L	0.016	0.050
θ	0°	8°	θ	0°	8°



## Statement:

- XBLW reserves the right to modify the product manual without prior notice! Before placing an order, customers need to confirm whether the obtained information is the latest version and verify the completeness of the relevant information.
- Any semiconductor product may malfunction under specified conditions. When using XBLW products for system design and overall manufacturing, the buyer is responsible for complying with safety standards and taking appropriate safety measures to avoid risks that may cause personal injury or property damage.
- XBLW products have not been licensed for life support, military, and aerospace applications, and therefore XBLW is not responsible for any consequences arising from the use of this product in these areas.
- If any or all XBLW products (including technical data, services) described or contained in this document are subject to any applicable local export control laws and regulations, they may not be exported without an export license from the relevant authorities in accordance with such laws.
- The specifications of any and all XBLW products described or contained in this document specify the performance, characteristics, and functionality of said products in their standalone state, but do not guarantee the performance, characteristics, and functionality of said products installed in Customer's products or equipment. In order to verify symptoms and conditions that cannot be evaluated in a standalone device, the Customer should ultimately evaluate and test the device installed in the Customer's product device.
- XBLW documentation is only allowed to be copied without any alteration of the content and with the relevant authorization. XBLW assumes no responsibility or liability for altered documents.
- XBLW is committed to becoming the preferred semiconductor brand for customers, and XBLW will strive to provide customers with better performance and better quality products.