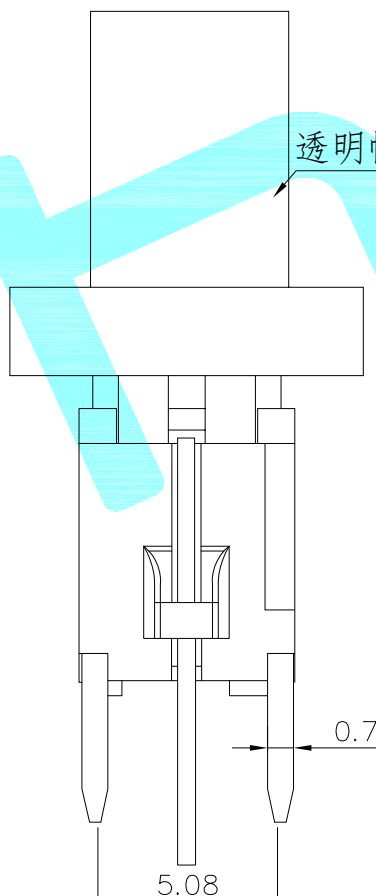
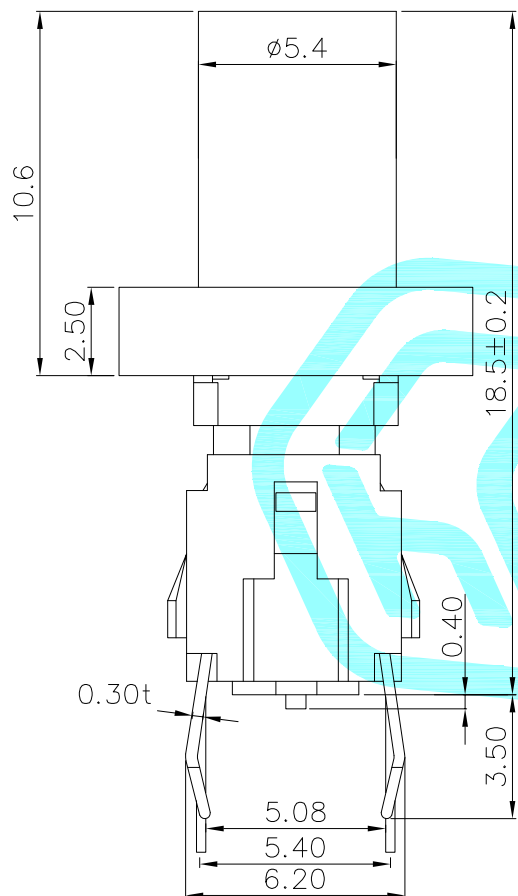
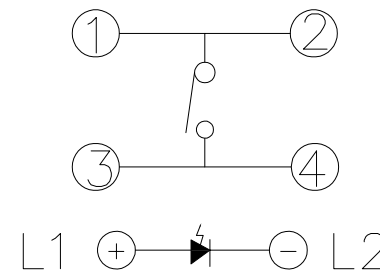
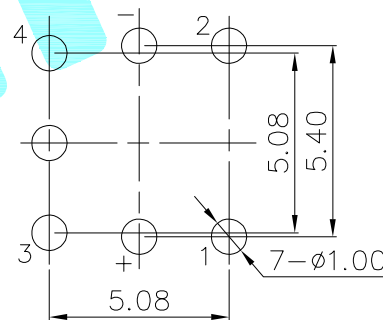


LED colour(LED 颜色)	Part No. (料号)
White(白色)	K6-6149D-01A
Red(红色)	K6-6149D-02A
Blue(蓝色)	K6-6149D-03A
Green(普绿)	K6-6149D-04A
Yellow(黄色)	K6-6149D-05A
Orange(橙色)	K6-6149D-06A
Jade green(翠绿)	K6-6149D-07A



透明帽子款，尾缀加A



PCBLayout(Pattern Side)

Circuit Diagram

②	Terminal	3	Phosphor bronze	Ag Plating		
①	Housing	1	Nylon	Black		
ITEM	PART NAME	TER'NO.	QTY.	MATERIAL	FINISHING	REMARK
APPROVALS			DATE			
DRAWN	LIUCAN	2022.9.12				
CHECKED						
APPROVALS				TITLE:	透明帽子款，尾缀加A	
				PART NO.	K6-6149D-□□A	
TOLERANCES ARE	30~以上	±0.30	ANGLE	UNIT: mm	SCALE: 1:1	PROJ:
	10~30	±0.20		DRAWING NO.		SHEET 1 OF 1
	5~10	±0.15				
~ 5	±0.10	±2'				

ECN NO.	REV.	DATE.	DESCRIPTION.	CHANGE.	CHECK.	APPRO.
	A		NEW			