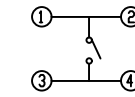
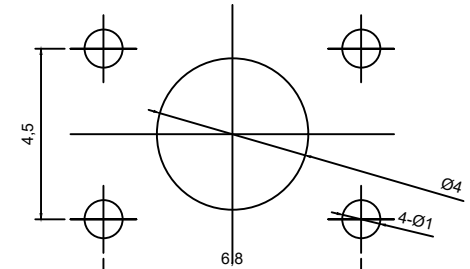
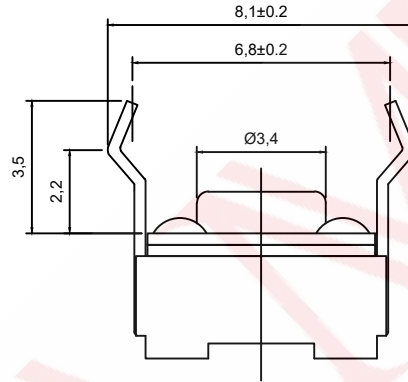
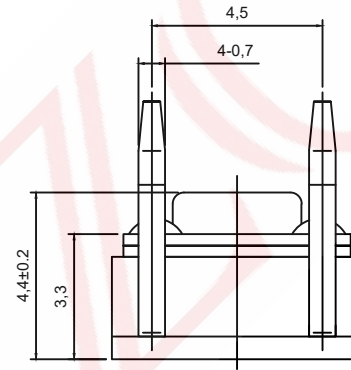
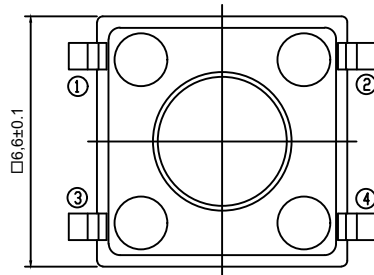
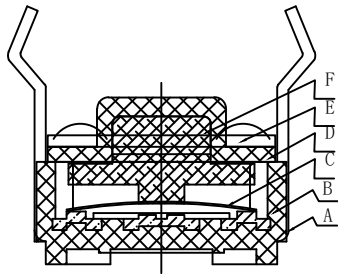


SAMZO REAC/ROHS

REV	ECN NO	DESCRIPTION	DESIGN	APPROVAL	DATE
A1	NEW	Replace frame			2018.06.12

主要技术参数、性能
The Main Thchnology Performance

额定电流、电压 Rate voltage, current	50mA DC12V
接触电阻 Contact resistance	≤100mΩ
按力 Operating force	±50gf
行程 Travel	0.35±0.15
绝缘电阻 Insulated resistance	≥100MΩ
介电强度 Dielectric strength	≥250VAC/1min



CIRCUIT DIAGRAM

P. C. B SOLDER LAND DIMENSION

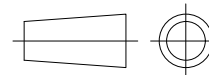
L 7 L * * 1 1 0**

① ② ③ ④ ⑤ ⑥ ⑦ ⑧

- A. 系列:L;-6*6开关系列
- B. 贴装方式:7-180° DIP反向
- C. 引脚规格:4-4Pin
- D. 操作高度:045-4.5mm (4.5*6.0mm)
- E. 操作力度:1-160/2-250gf
- F. 操作寿命:1-50000次
- G. 固定方式:1-无柱
- H. 物料编码:0-常规

ITEM	DESCRIPTION	MATERIAL	QTY	FINSH/COLOR					
F	手柄	PPA	1	白色					
E	盖板	PET	1	白色	GENERAL TOLERANCE				
D	硅胶套	硅胶	1	绿色			≥0~2<	±0.15	
C	弹片	不锈钢	1	镀银	DESIGN	WANGGUIFA	2018.06.12	≥2~5<	±0.25
B	本件	PA6T	1	白色	CHECKED	ZHENGUILAN	2018.06.12	≥0~2<	±0.15
A	卡件	黄铜	1	镀银	APPROVED	LILIANJIANG	2018.06.14	≥5	±0.35

FIRST VIEW



The copyright belongs to samzo parts [China] Co., Ltd. please use the material after samzo parts agree to authorize. The final right of interpretation belongs to samzo parts.
WWW.KKK-JP.COM

TITLE::

6*6反向插件四脚开关

DWG NO: L7L-P1050

PART NO: L7L0001

MODEL NO: L7L-***-*-110

NAME:

TACT SWITCH

SAMZO COMPONENTS
Electronic switch and connector manufacturer

SCALE 1:1 UNIT mm