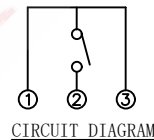
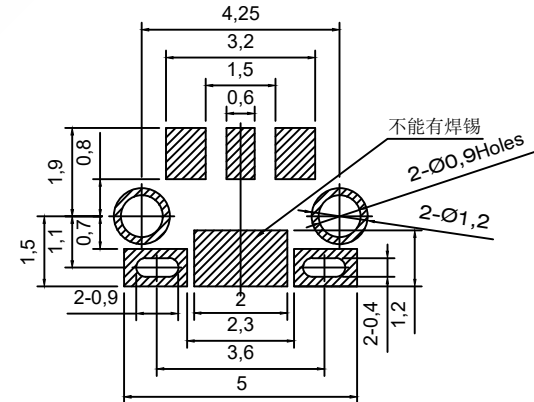
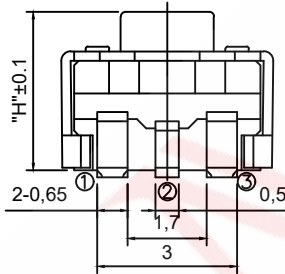
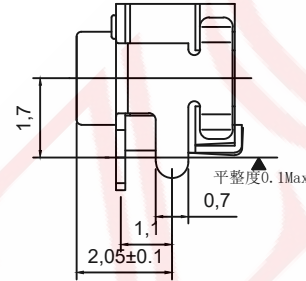
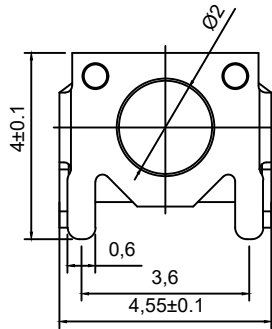
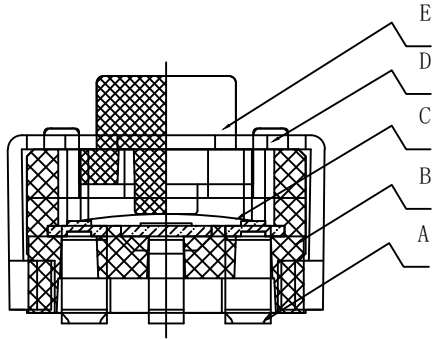


SAMZO REAC/ROHS

REV	ECN NO	DESCRIPTION	DESIGN	APPROVAL	DATE
A1	NEW	Replace frame			2018.06.12

主要技术参数、性能
The Main Thchnology Performance

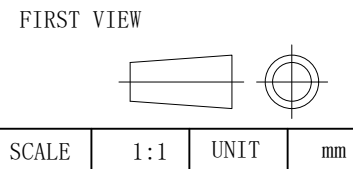
额定电流、电压 Rate voltage,current	50mA DC12V
接触电阻 Contact resistance	≤100mΩ
按力 Operating force	250±50gf 150+20/-40Ggf
行程 Travel	0.15±0.1mm
绝缘电阻 Insulated resistance	≥100MΩ
介电强度 Dielectric strength	≥250VAC/1min



Z 5 C 34 * * L *
 (A) (B) (C) (D) (E) (F) (G) (H)

- A. 系列:Z-3*4软柄系列
- B. 贴装方式:5-卧式贴片
- C. 引脚规格:C-5P
- D. 操作高度:34-3.4mm
- E. 操作力度:1-150/2-250gf
- F. 操作寿命:1-10万次/2-20万次
- G. 固定方式:L-加长牙
- H. 物料编码:B-黑柄/W-白柄

ITEM	DESCRIPTION	MATERIAL	QTY	FINSH/COLOR				
E	按钮	PPA	1	黑色/白色				
D	盖板	黄铜	1	镀铜锡	GENERAL TOLERANCE			
D	防尘膜	聚酰亚胺	1	橙黄色	≥0~2<	±0.15		
C	弹片	不锈钢	2	镀银	DESIGN	WANGGUIFA	2018.06.12	≥2~5< ±0.25
B	本件	PPA	1	黑色	CHECKED	ZHENGUILAN	2018.06.12	≥0~2< ±0.15
A	卡件	黄铜铜	1	镀银	APPROVED	LILIANJIANG	2018.06.14	≥5 ±0.35



The copyright belongs to samzo parts [China] Co., Ltd. please use the material after samzo parts agree to authorize. The final right of interpretation belongs to samzo parts. WWW.KKK-JP.COM

TITLE: 3.4*4.5*3.4加长牙
5P-WT-2025NEW

DWG NO: Z5C34-P2501

PART NO: Z5C3432900

MODEL NO: Z5C34-*-*-L-*

NAME: TACT SWITCH

SAMZO COMPONENTS
Electronic switch and connector manufacturer

SCALE 1:1 UNIT mm