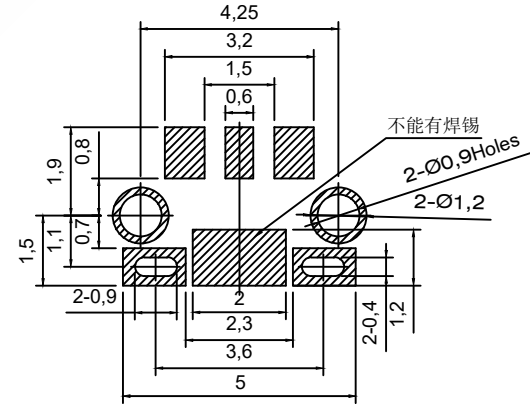
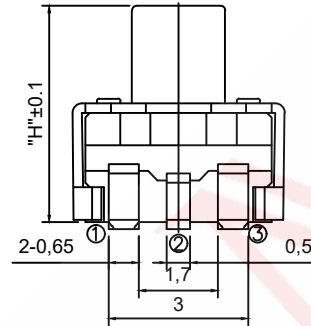
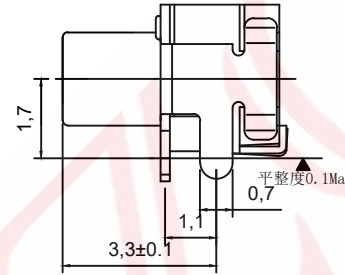
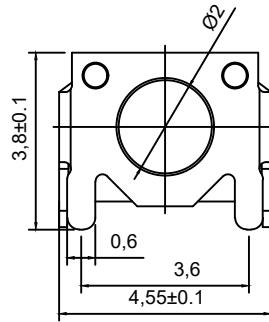
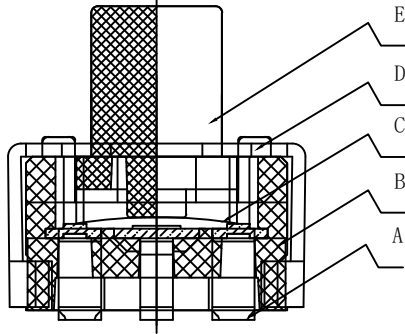


SAMZO REAC/ROHS

REV	ECN NO	DESCRIPTION	DESIGN	APPROVAL	DATE
A1	NEW	Replace frame			2018.06.12

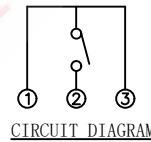
主要技术参数、性能
The Main Thchnology Performance

额定电流、电压 Rate voltage, current	50mA DC12V
接触电阻 Contact resistance	≤100mΩ
按力 Operating force	150+20/-40Ggf
行程 Travel	0.15±0.1mm
绝缘电阻 Insulated resistance	≥100MΩ
介电强度 Dielectric strength	≥250VAC/1min



Z 5 C 46 1 1 L E
 (A) (B) (C) (D) (E) (F) (G) (H)

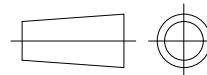
- A. 系列: Z-3*4软柄系列
- B. 贴装方式: 5-卧式贴片
- C. 引脚规格: C-5P
- D. 操作高度: 46-4.65mm
- E. 操作力度: 1-150
- F. 操作寿命: 1-10万次
- G. 固定方式: L-加长牙
- H. 物料编码: E-蓝柄



P. C. B SOLDER LAND DIMENSION

ITEM	DESCRIPTION	MATERIAL	QTY	FINSH/COLOR					
E	按钮	硅胶	1	蓝色					
D	盖板	磷铜	1	镀银	GENERAL TOLERANCE				
D	防尘膜	聚酰亚胺	1	橙黄色	≥0~2<	±0.15			
C	弹片	不锈钢	2	镀银	DESIGN	WANGGUIFA	2018.06.12	≥2~5<	±0.25
B	本件	LCP	1	黑色	CHECKED	ZHENGUILAN	2018.06.12	≥0~2<	±0.15
A	卡件	磷铜	1	镀银	APPROVED	LILIANJIANG	2018.06.14	≥5	±0.35

FIRST VIEW



The copyright belongs to samzo parts [China] Co., Ltd. please use the material after samzo parts agree to authorize. The final right of interpretation belongs to samzo parts.
WWW.KKK-JP.COM

TITLE: 3.4*4.5*4.65加长牙
5P-WT-2025NEW

DWG NO: Z5C34-P2502

PART NO: Z5C3432900

MODEL NO: Z5C4611LE

NAME:
TACT SWITCH

SAMZO COMPONENTS
Electronic switch and connector manufacturer

SCALE 1:1 UNIT mm