

NOTE:

1.MATERIAL SPECIFICATION:

- 1.HOUSING:PA9T,UL94 V-0.
- 2.TERMINAL: COPPER ALLOY(C1814)
- 3.MID PLATE: STAINLESS STEEL(SUS301)
- 4.FRONT SHELL: STAINLESS STEEL(SUS304)

2.PLATING SPECIFICATION:

2-1.TERMINAL:

- Ni 50u" MIN. UNDER PLATED OVER ALL.
- Au PLATED ON THE FUNCTIONAL AREA OF CONTACT.
- CONTACT FUNCTIONAL AREA PLATED : Au 3u"
- CONTACT SOLDER AREA PLATED : Au G/F"

2-2.SHELL:

- Ni 50u" MIN. UNDER PLATED OVER ALL.

2-3.MID PLATE:

- CLEAR ONLY

3.MECHANICAL PERFORMANCE,

- 3-1.INSERTION FORCE: 0.5~2.0kgf.
- 3-2.REMOVAL FORCE: 0.8kgf~2.0kgf.
- 3-3.DURABILITY: 10000 CYCLES.

4.ELECTRICAL PERFORMANCE,

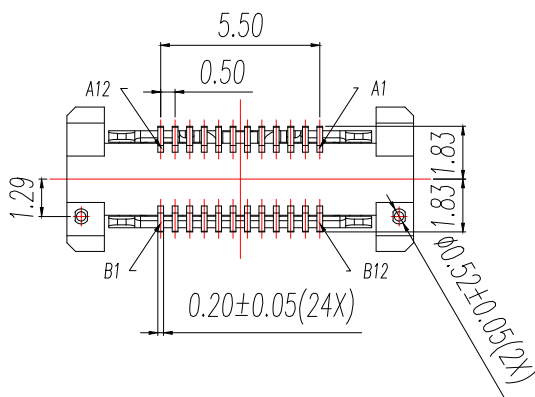
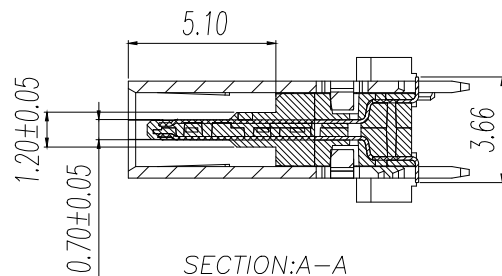
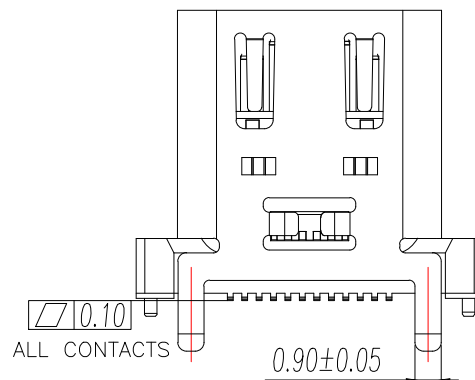
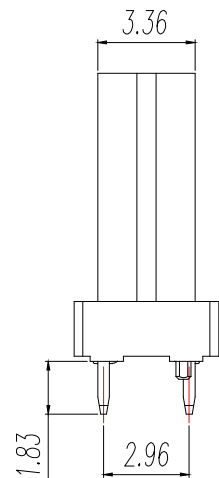
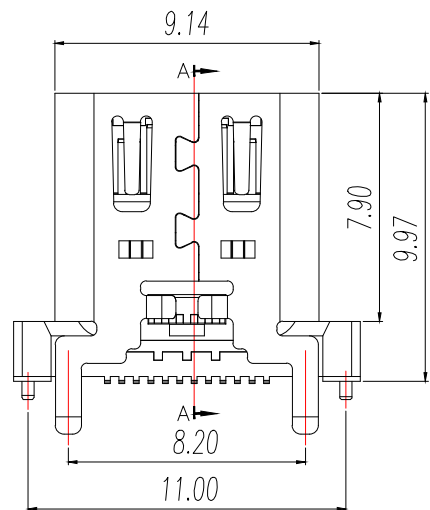
- 4-1. VOLTAGE RATING:5 V DC/AC (RMS. max)
- CURRENT RATING:5 AMPS. FOR TOTAL VBUS/GND PINS;
- 1.25AMPS FOR CC PIN,0.25 AMPS. FOR ALL OTHER CONTACT.
- 4-2. LLCR: VBUS & GND PINS AND OTHER PINS: 40mA/PIN MAX.
- SHIELD: 50mA/MAX.
- LLCR MAX. CHANGE OF ALL PINS: 10mA.
- 4-3.INSULATION RESISTANCE: 100M $\Omega$  MIN
- 4-4.DIELECTRIC WITHSTAND VOLTAGE,AC 100V FOR 1 MINUTE.

5. ENVIRONMENTAL PERFORMANCE:

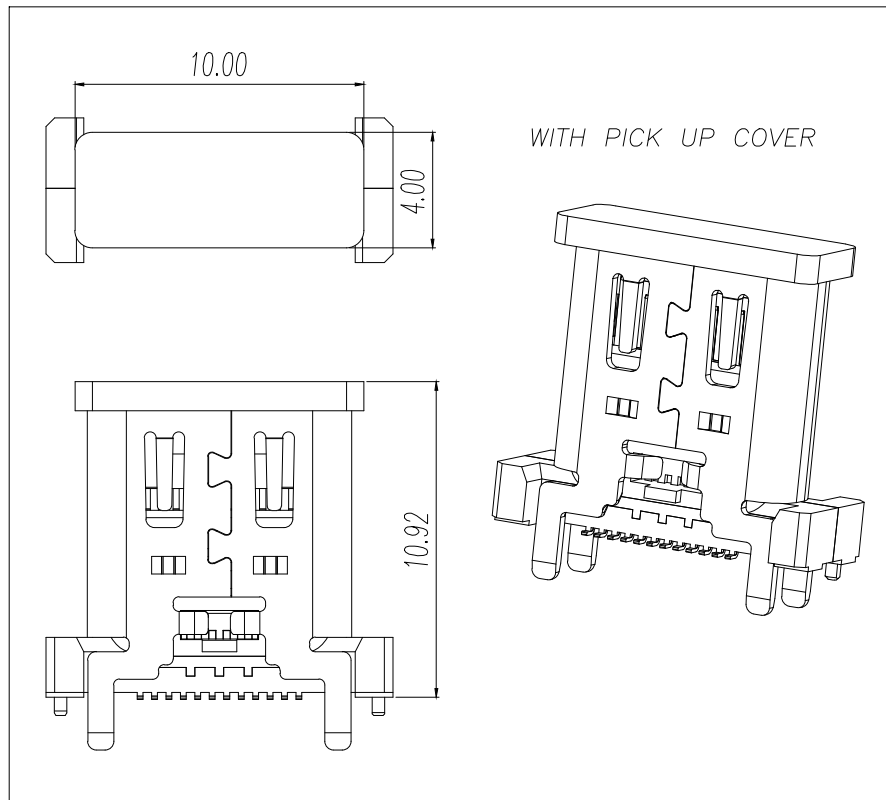
- OPERATING TEMPERATURE: -40°C~+85°C.

6.IR REFLOW:

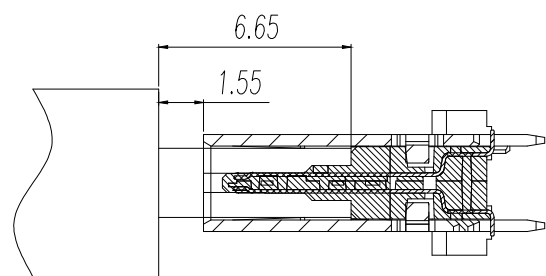
- THE PEAK TEMPERATURE ON THE BOARD SHALL BE MAINTAINED FOR 10 SECONDS AT 260°C.



制图 DRAWN	变更内容 DESCRIPTION	日期 DATE	GENERAL TOLERANCE		制图 DRAWING	EMMA	料号 PART NO.	BX-TYPE-C-MLT26P	版本 REV.	A
			X.±0.30	X."±10'						
			.X±0.20	.X"±8'	审核 CHECK	EVA	品名 TITLE	USB CF24P VERTICAL SMT	页次 SHEET	1/1
			.XX±0.10	.XX"±5'	批准 APPROVAL	JADE	客户料号 CUTM.NO.			
					单位 UNITS	MM	比例 SCALE	1:1	Bossie (博锡)	



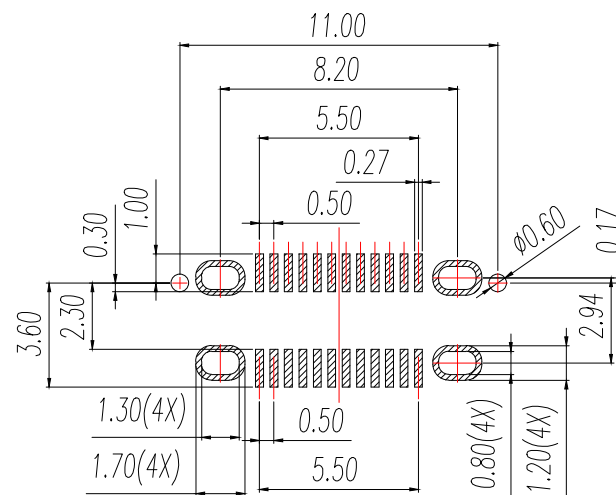
WITH PICK UP COVER



AFTER MATING

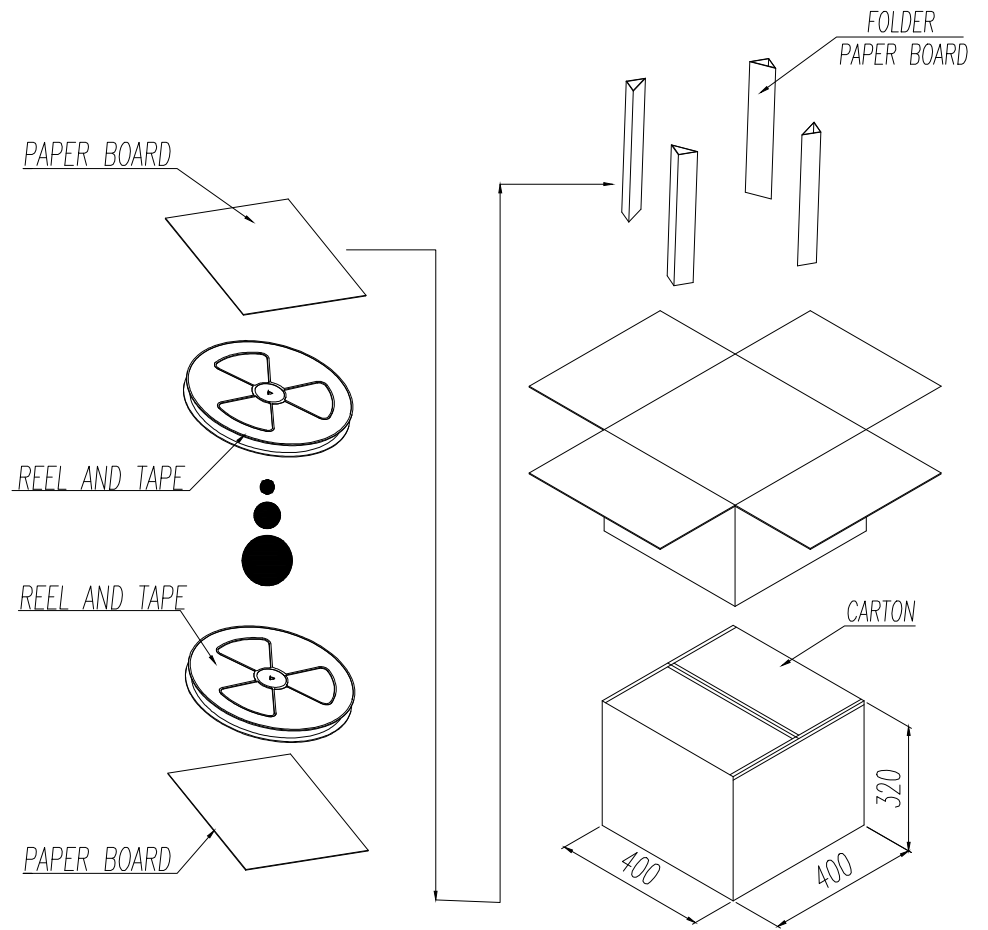
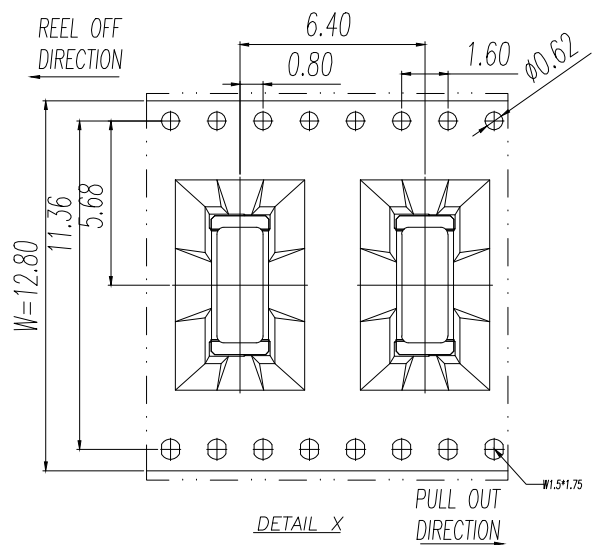
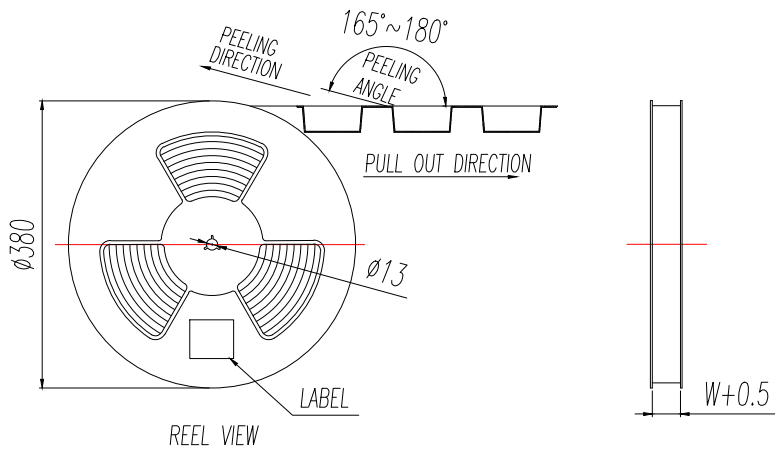
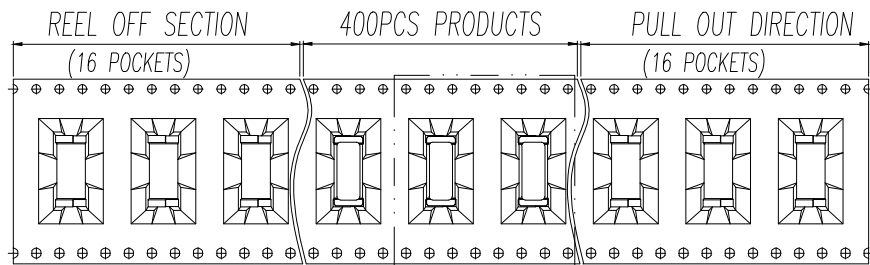
USB TYPE-C PIN ASSIGNMENTS

PIN NUMBER	SIGNAL NAME	PIN NUMBER	SIGNAL NAME
A1	GND	B12	GND
A2	SSTXp1	B11	SSRXp1
A3	SSTXn1	B10	SSRXn1
A4	Vbus	B9	Vbus
A5	CC1	B8	SBU2
A6	Dp1	B7	Dn2
A7	Dn1	B6	Dp2
A8	SBU1	B5	CC2
A9	Vbus	B4	Vbus
A10	SSRXn2	B3	SSTXn2
A11	SSRXp2	B2	SSTXp2
A12	GND	B1	GND



RECOMMENDED PCB LAYOUT(TOP VIEW)  
THICKNESS 1.0±0.10MM;DEFAULT TOLERANCE:±0.05

制图 DRAWN	变更内容 DESCRIPTION	日期 DATE	GENERAL TOLERANCE		制图 DRAWING	EMMA		料号 PART NO.	BX-TYPE-C-MLT26P		版本 REV.	A
			X.±0.30	X.*±10°	审核 CHECK	EVA		品名 TITLE	USB CF24P VERTICAL SMT		页次 SHEET	1/1
			.X±0.20	.X*±8°	批准 APPROVAL	JADE		客户料号 CUTM.NO.				
			.XX±0.10	.XX*±5°	单位 UNITS	MM	比例 SCALE	1:1		Bossie (博锡)		



	REEL/TRAY	CARTON
CONNECTOR (PCS)	400	4000

制图 DRAWN	变更内容 DESCRIPTION	日期 DATE	GENERAL TOLERANCE		制图 DRAWING	EMMA	料号 PART NO.	BX-TYPE-C-MLT26P	版本 REV.	A
			X.±0.30	X.'±10'						
.X±0.20	.X'±8'	核准 APPROVAL	JADE	客户料号 CUTIM.NO.						
.XX±0.10	.XX'±5'						单位 UNITS	比例 SCALE	1:1	Bossie (博锡)