

SECTION:A-A

NOTE:

1.MATERIAL SPECIFICATION:

- 1.HOUSING:LCP,UL94 V-0.
- 2.TERMINAL: COPPER ALLOY(C1814)
- 3.MID PLATE: STAINLESS STEEL(SUS301)
- 4.FRONT SHELL: STAINLESS STEEL(SUS304)

2.PLATING SPECIFICATION:

2-1.TERMINAL:

- Ni 50u" MIN. UNDER PLATED OVER ALL.
- Au PLATED ON THE FUNCTIONAL AREA OF CONTACT.
- CONTACT FUNCTIONAL AREA PLATED : Au 3u"
- CONTACT SOLDER AREA PLATED : Au G/F"

2-2.FRONT SHELL:

- Ni 50u" MIN. UNDER PLATED OVER ALL.

2-3.MID PLATE:

- CLEAR ONLY

3.MECHANICAL PERFORMANCE,

- 3-1.INSERTION FORCE: 0.5~2.0kgf.
- 3-2.REMOVAL FORCE: 0.8kgf~2.0kgf.
- 3-3.DURABILITY: 10000 CYCLES.

4.ELECTRICAL PERFORMANCE,

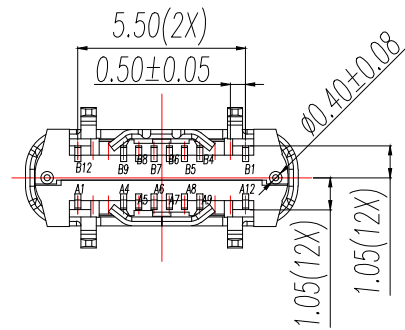
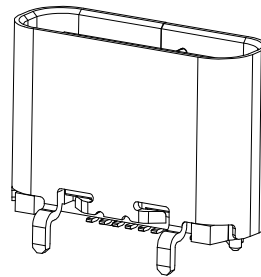
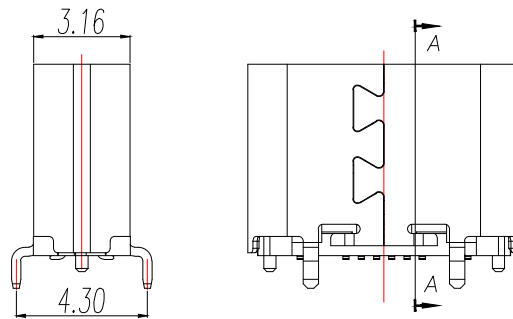
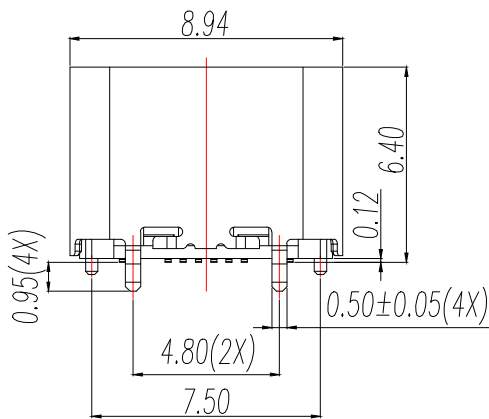
- 4-1. VOLTAGE RATING:5 V DC/AC (RMS. max)
- CURRENT RATING:5 AMPS. FOR TOTAL VBUS/GND PINS;
- 1.25AMPS FOR CC PIN,0.25 AMPS. FOR ALL OTHER CONTACT.
- 4-2. LLCR:
- VBUS & GND PINS AND OTHER PINS: 40mA/PIN MAX.
- SHIELD: 50mA/MAX.
- LLCR MAX. CHANGE OF ALL PINS: 10mA.
- 4-3.INSULATION RESISTANCE: 100MΩ MIN
- 4-4.DIELECTRIC WITHSTAND VOLTAGE,AC 100V FOR 1 MINUTE.

5. ENVIRONMENTAL PERFORMANCE:

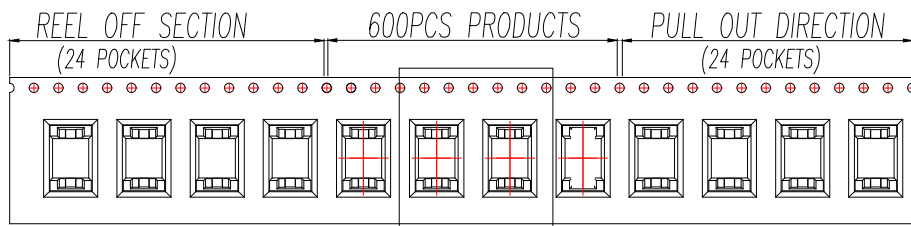
- OPERATING TEMPERATURE: -40°C~+85°C.

6.IR REFLOW:

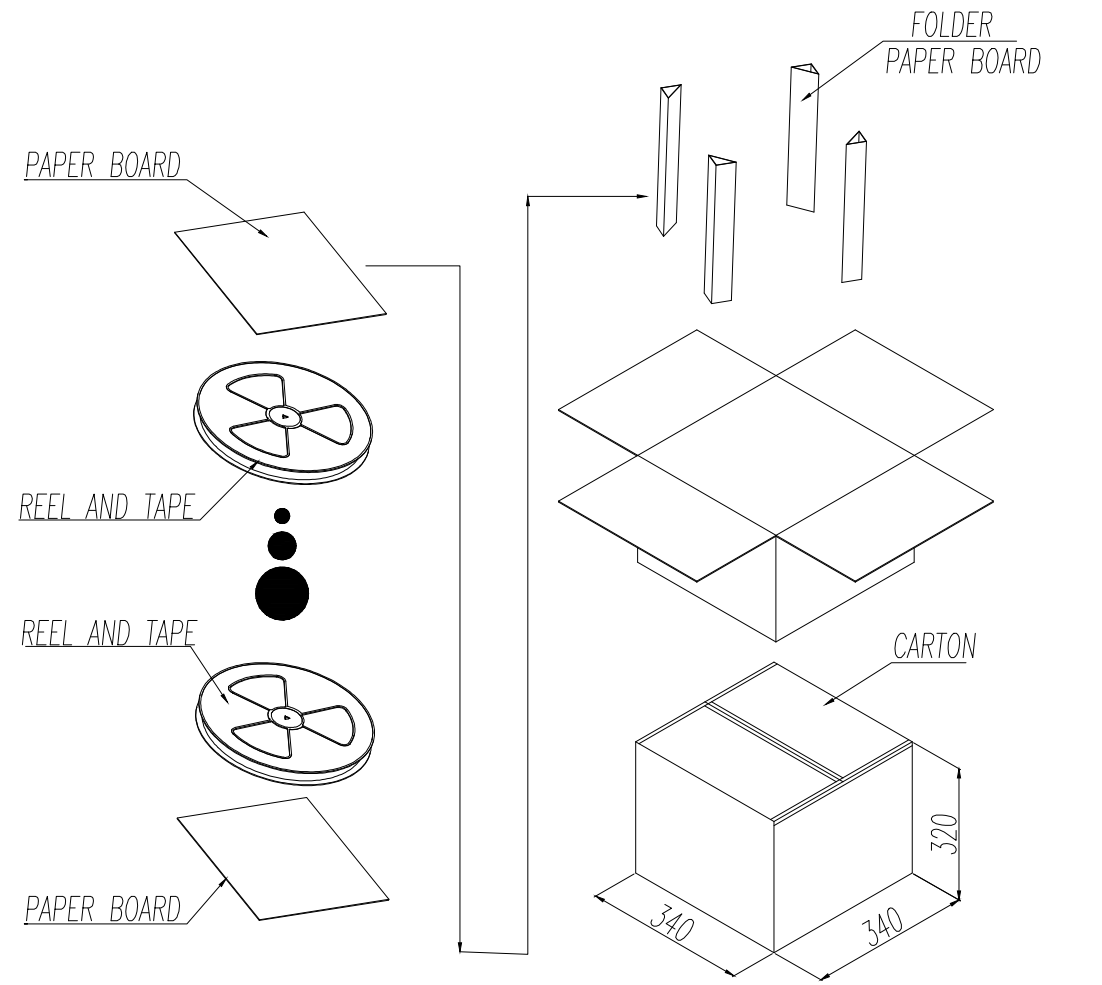
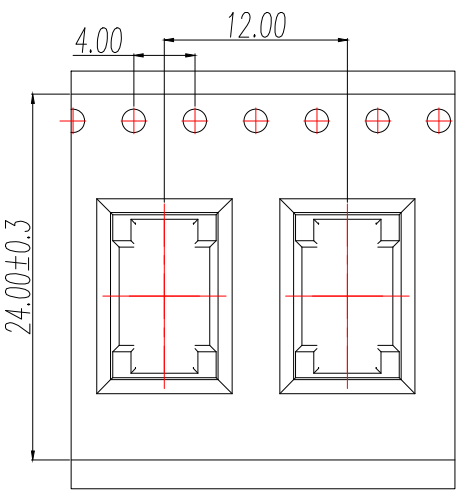
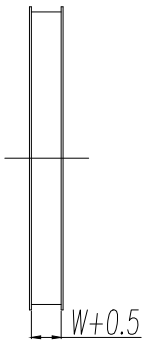
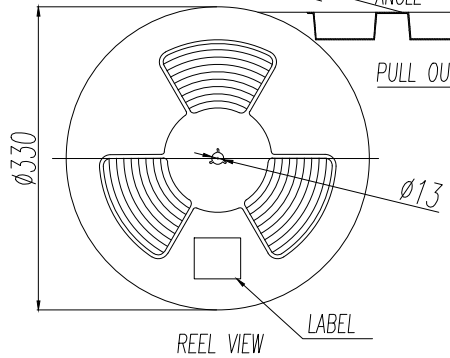
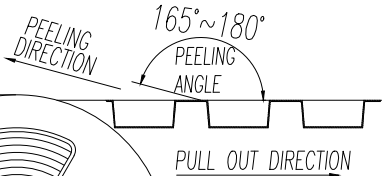
- THE PEAK TEMPERATURE ON THE BOARD SHALL BE MAINTAINED FOR 10 SECONDS AT 260°C.



制图 DRAWN	变更内容 DESCRIPTION	日期 DATE	GENERAL TOLERANCE		制图 DRAWING	EMMA	料号 PART NO.	BX-TYPE-C-MLT16P	版本 REV.	A
			X.±0.30	X.*±10'						
			.X±0.20	.X'±8"	审核 CHECK	EVA	品名 TITLE	typec 16pin 引脚6.4间距 间距0.95	页次 SHEET	1/1
			.XX±0.10		核准 APPROVAL	JADE	客户料号 CUTM.NO.			
					单位 UNITS	MM	比例 SCALE	1:1	Bossie (博锡)	



SEE DETAIL X



	REEL/TRAY	CARTON
CONNECTOR (PCS)	600	6000

制图 DRAWN	变更内容 DESCRIPTION	日期 DATE	GENERAL TOLERANCE		制图 DRAWING	EMMA	料号 PART NO.	BX-TYPE-C-MLT16P	版本 REV.	A										
			X.±0.30	X'.±10'							审核 CHECK	EVA	品名 TITLE	typec 16pin 间距6.4mm 间距0.95	页次 SHEET	1/1				
			.X±0.20	.X'±8"													核准 APPROVAL	JADE	客户料号 CUTM.NO.	
			.XX±0.10																	

