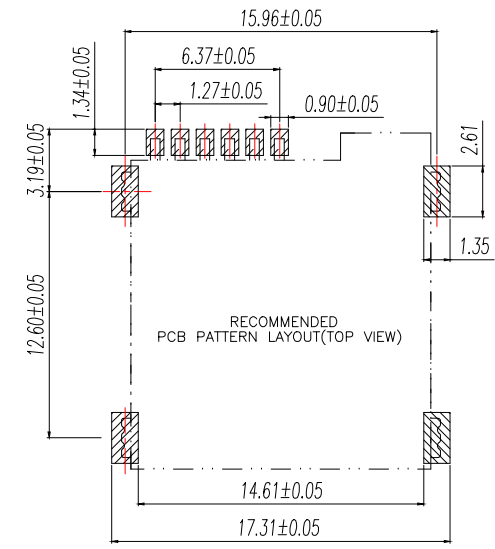


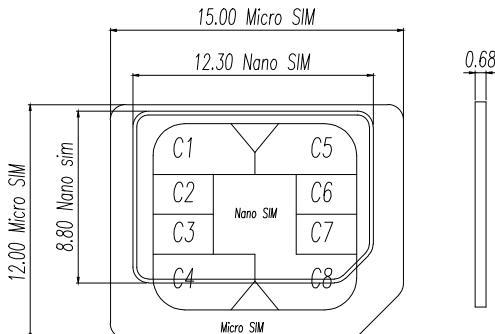
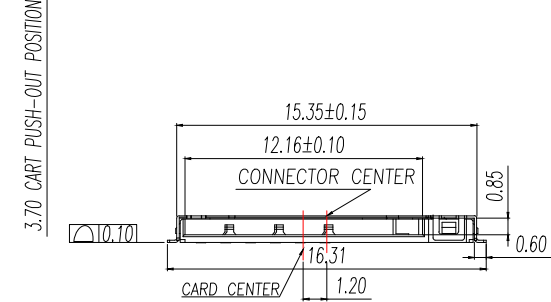
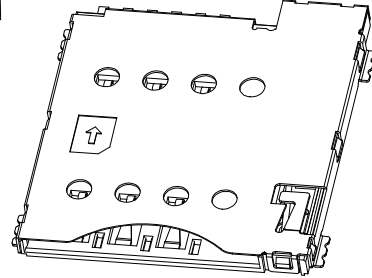
对插口处塑胶翘曲务必控制在0.15以内



RECOMMENDED PCB LAYOUT
GENERAL TOLERANCE ±0.05

NOTES:

- MATERIAL:
INSULATOR: HIGH TEMPERATURE THERMOPLASTIC, UL 94V-0
CONTACT: COPPER ALLOY
SHELL: SUS
- ELECTRICAL CHARACTERISTICS:
2-1. CURRENT RATING: 0.5 Amp. MAX.
2-2. VOLTAGE: 100V DC. MAX.
2-3. LOW LEVEL CONTACT RESISTANCE: 100 mOhms MAX. INITIALLY.
2-4. DIELECTRIC WITHSTANDING VOLTAGE: 500V AC MIN. FOR 1 MINUTE.
2-5. INSULATION RESISTANCE: (INITIAL) 1000MOhms MIN.. (FINAL) 100MOhms MIN.
BY APPLYING 500V DC ON MATED AND UNMATED CONNECTORS THROUGH MIL-STD-202, METHOD 302.
- MECHANICAL CHARACTERISTICS:
3-1. DURABILITY: 5000 CYCLES.
3-2. OPERATING TEMP. RANGE: -25°C TO +85°C.
[INCLUDING TERMINAL TEMP. RISE]
3-3. STORAGE TEMP.: -40°C TO 85°C.
- DIMENSIONS MARKED ∇ ARE MAJOR CHECKED DIMENSIONS.
- HARMFUL MATERIAL CONTROL PLEASE FOLLOW DOC. NO. "EPI12".
- QUANTITY OF PRODUCTS: 1000PCS/REEL
- Salt spray time 24H

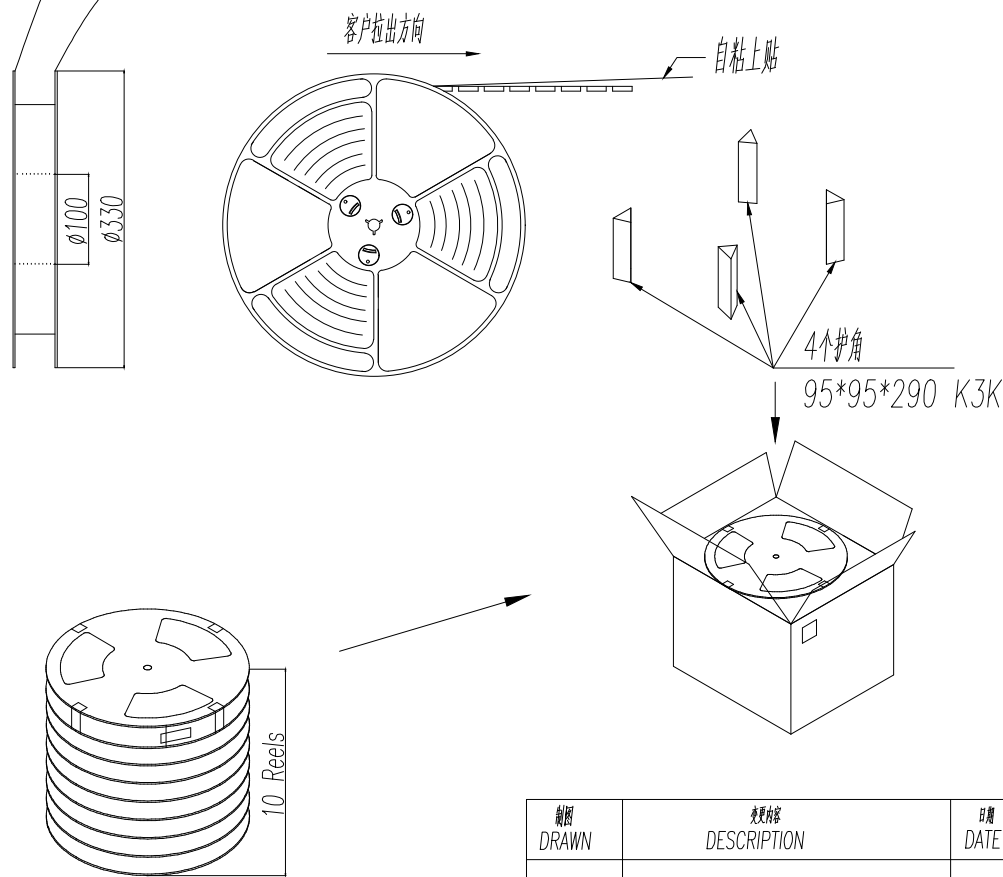
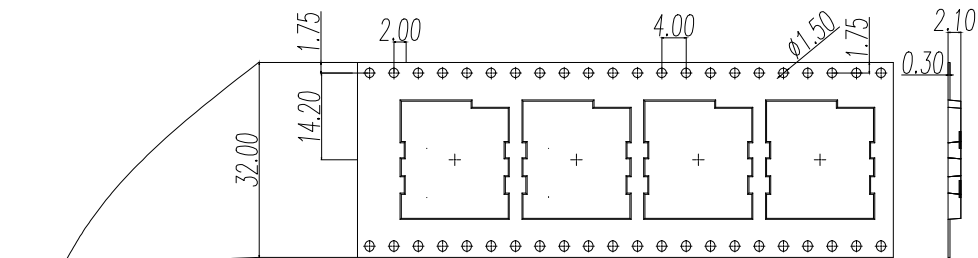


C8	RESERVED
C7	I/O
C6	VPP
C5	GND
C4	RESERVED
C3	CLK
C2	RST
C1	VCC
PIN NO.	PIN NAME

制图 DRAWN	变更内容 DESCRIPTION	日期 DATE	GENERAL TOLERANCE		制图 DRAWING	EMMA		
			X±0.50	X*±2°			审核 CHECK	EVA
			.X±0.30	.X*±1°				
			.XX±0.20	.XX*±0.5°				
UNIT	MM	比例 SCALE	1:1					

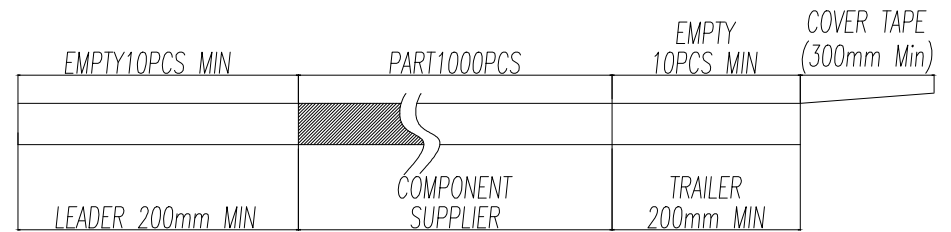
料号 PART NO.	BX-SIM-1.35H6PJ-Z	版本 REV.	A
品名 TITLE	MICRO SIM CARD PUSH PUSH 6PIN H1.35	页次 SHEET	1/1
客户料号 CUTM.NO.			



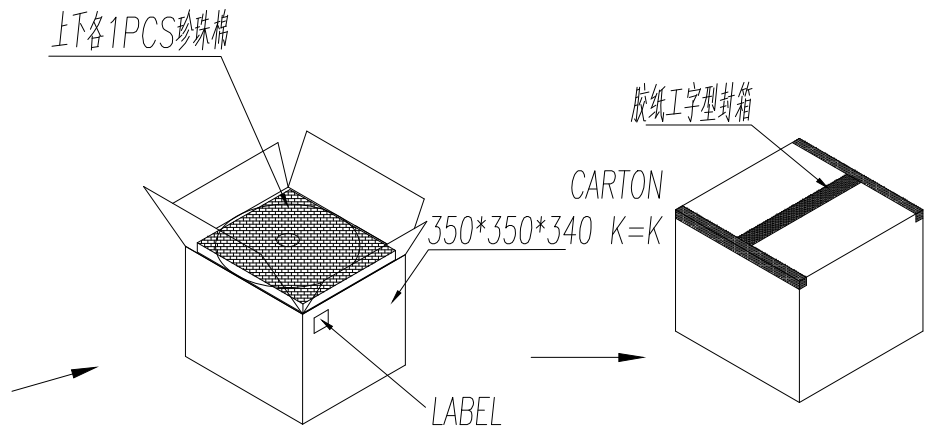


NOTES

1. NUMBER OF CONNECTORS:1000PCS/REEL
2. LEAD TAPE LENGTH



3. QUANTITY: 10000PCS/CARTON



制图 DRAWN	变更内容 DESCRIPTION	日期 DATE	GENERAL TOLERANCE		制图 DRAWING	料号 PART NO.	版本 REV.	页次 SHEET
			X.±0.50	X."±2"	EMMA	BX-SIM-1.35H6PJ-Z	A	
			.X±0.30	.X"±1"	EVA	MICRO SIM CARD PUSH PUSH 6PIN H1.35 封装	1/1	
			.XX±0.20	.XX"±0.5"	JADE	客户料号 CUTM.NO.		
					UNIT MM			
					SCALE 1:1			